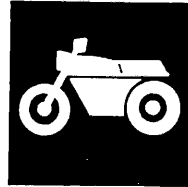


YAMAHA



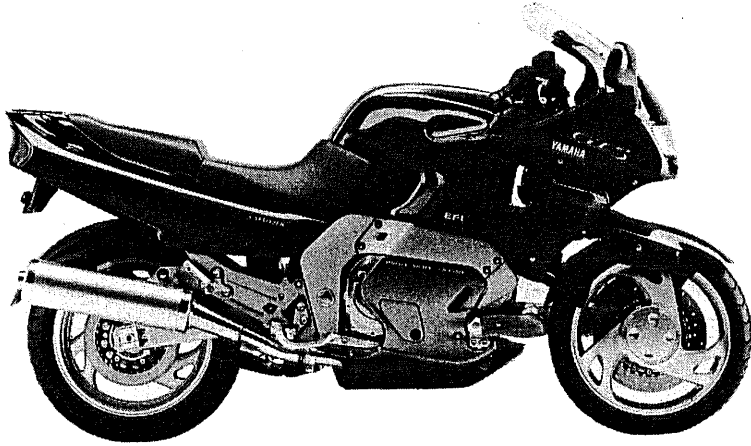
**PARTS
CATALOGUE**

GTS1000'94 (4BH3)

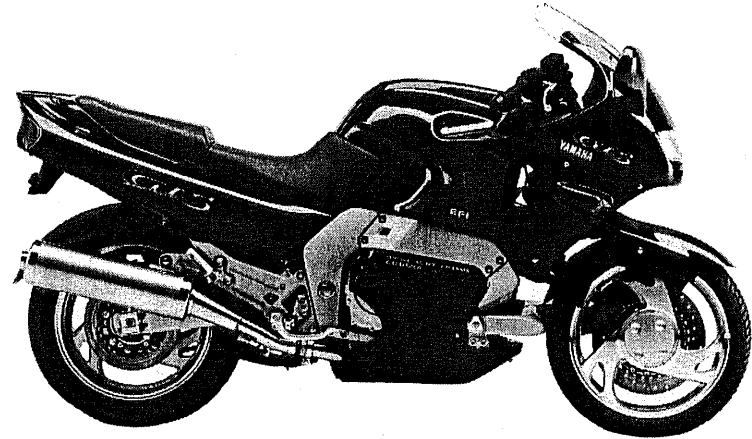
GTS1000'94 (4FV3) EUROPE

YAMAHA
GENUINE
Parts & Accessories

44BH-300E2



DEEP RED COCKTAIL 2 (0376)



DARK PURPLISH BLUE METALLIC 2 (0189)

A3

FOREWORD

This Parts Catalogue is related to the parts in use for the Yamaha GTS1000'94 (4BH3/4FV3).

When you are ordering replacement parts for the GTS1000'94 (4BH3/4FV3), refer to this Parts Catalogue and quote both part numbers and part names correctly.

1. Modifications or additions which have been made after issue of the Parts Catalogue will be announced in the Yamaha Parts News.

It is advisable that according to the Yamaha Parts News you make necessary corrections to the Parts Catalogue on hand to keep it up-to-date.

2. Abbreviations

The following abbreviations are used in this Parts Catalogue.

- U.R. Use size (thickness) and/or number as required.
- U.N. Use as many as you need.
- A.P. Alternate Parts
- L.M. Local Made
- F# Frame No. (Applicable machine No.)

3. The parts marked with (*) in the parts number column of this Catalogue are not supplied with by Yamaha, those have to be found locally.
4. Parts, which are to be supplied in the form of assemblies, are listed with an indention of one letter's space, and a dot (.) is put against the name of each part.

EXAMPLE CARBURETOR ASS'Y
 .JET, pilot
 .NOZZLE, main

5. Indication of No. of constituent parts for assembly

The numeral appearing to the right of each constituent part under the description indicates the quantity of such parts for each individual assembly unit.

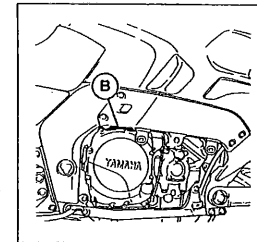
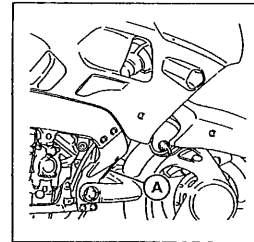
EXAMPLE

Part No.	Description	Q'ty	Remarks
2F5-83310-60	FRONT FLASHER LIGHT ASS'Y	2	
115-83311-60	.BULB (6V-18W)	1	
1M1-83309-60	.REFLECTOR	1	

6. Initial Serial No. and Color Code

4BH3	A Frame Serial No.	4BH-028101 and following
	B Engine Serial No.	4BH-028101 and following

4FV3	A Frame Serial No.	4FV-003101 and following
	B Engine Serial No.	4FV-003101 and following



Color Code	Color Name	Abbreviate
0376	DEEP RED COCKTAIL 2	DRC2
0189	DARK PURPLISH BLUE METALLIC 2	DPBM2

7. Applicable colors of graphics are represented in the "Remarks" column by the letter(s) appropriately picked out of the full word(s) showing such colors.

EXAMPLE

Part No.	Description	Q'ty	Remarks
2N4-24110-00-X5	FUEL TANK COMP.	1	MAXIM RED
3J1-24240-10	.GRAPHIC, fuel tank set	1	for MXR

CONTENTS

GENERAL SPEC.

ENGINE

Cylinder Head	B2
Cylinder	B3
Crankshaft · Piston	B4
Valve	B5 ~ B6
Camshaft · Chain	B7
Water Pump	B8
Radiator · Hose	B9 ~ B10
Oil Pump	B11 ~ B12
Oil Cleaner	B13
Intake	B14 ~ B15
Intake 2	C2 ~ C3
Exhaust	C4
Crankcase	C5 ~ C6
Crankcase Cover 1	C7 ~ C8
Starter	C9
Clutch	C10
Transmission	C11 ~ C12
Shift Cam · Fork	C13
Shift Shaft	C14

CHASSIS

Frame	C15 ~ D2
Front Fender	D3
Rear Fender	D4 ~ D5
Cover	D6 ~ D7
Side Cover	D8 ~ D9
Rear Arm	D10
Rear Suspension	D11
Steering	D12 ~ D13
Steering 2	D14 ~ D15

Fuel Tank	E2
Seat	E3
Front Wheel	E4
Front Brake Caliper	E5
Rear Wheel	E6 ~ E7
Rear Brake Caliper	E8
Steering Handle · Cable	E9 ~ E10
Front Master Cylinder	E11 ~ E12
Front Master Cylinder 2	E13
Stand · Footrest	E14 ~ F2
Rear Master Cylinder	F3
Cowling 1	F4 ~ F6
Cowling 2	F7 ~ F8
Cowling 3	F9
Generator	F10
Pick Up Coil · Governor	F11
Starting Motor	F12
Flasher Light	F13
Meter	F14
Headlight	F15
Taillight	G2
Electrical 1	G3 ~ G4
Electrical 2	G5 ~ G6

INDIVIDUAL SPEC.

FOR IRELAND

Alternate (Headlight)	G8
-----------------------------	----

FOR AUSTRIA

Alternate (Chassis)	G10
---------------------------	-----

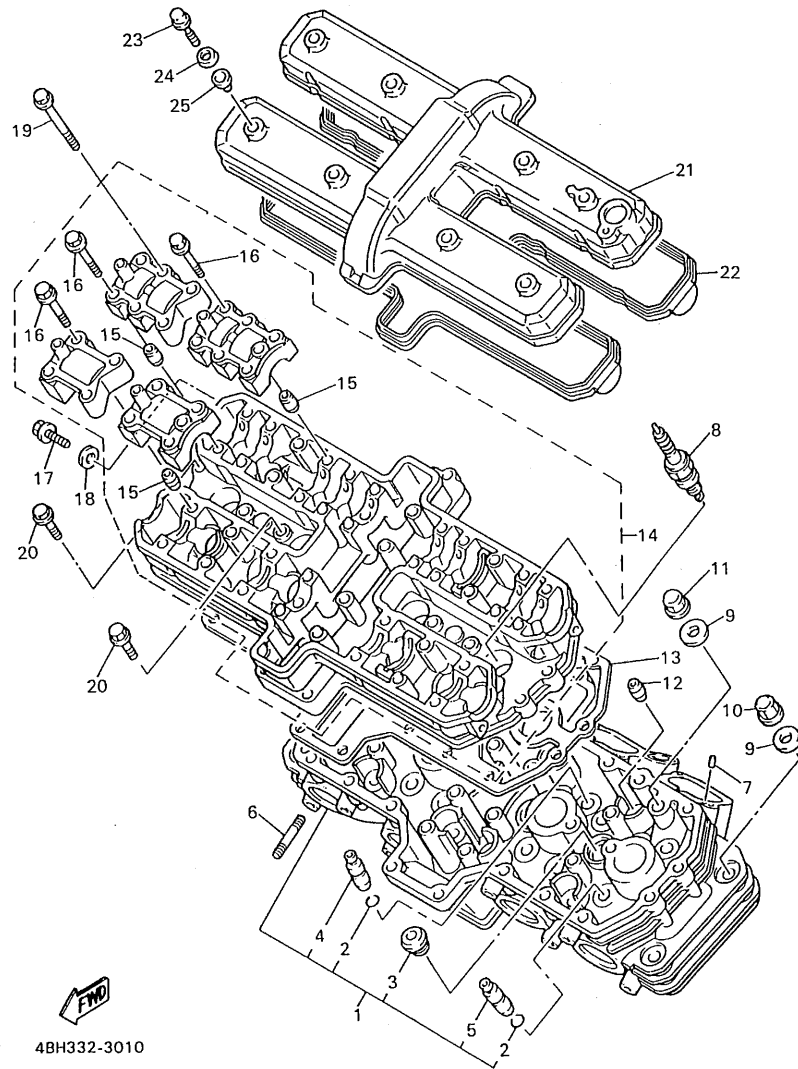
FOR SWITZERLAND

Alternate (Headlight)	G12
-----------------------------	-----

INDEX

NUMERICAL INDEX	L1 ~ L5
-----------------------	---------

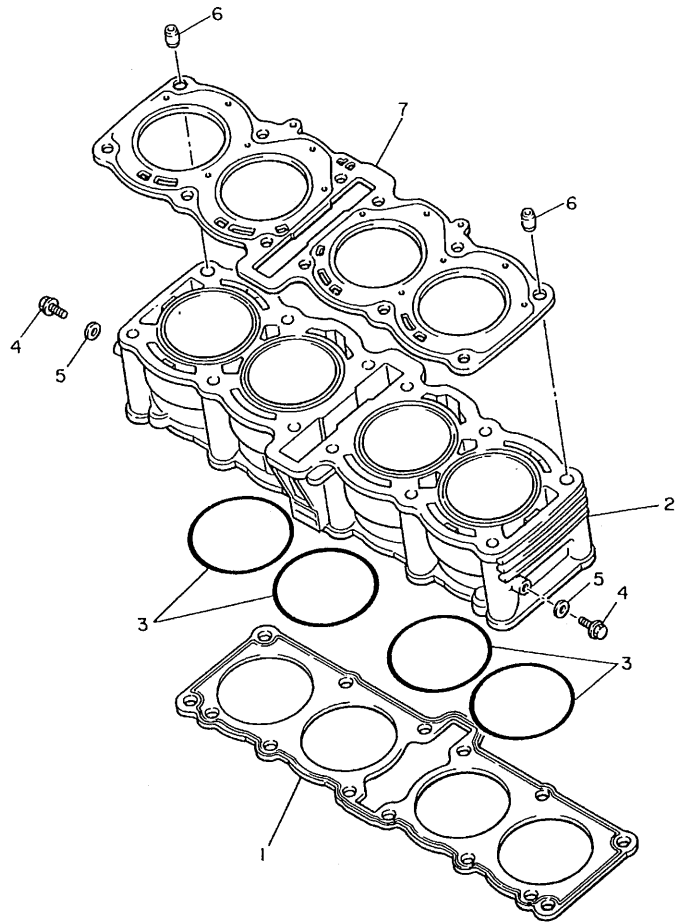
FIG. 1 CYLINDER HEAD



REF. NO.	PART NO.	DESCRIPTION	Q'TY	REMARKS
1	4BH-11102-00	CYLINDER HEAD ASSY	1	
2	93440-10153	.CIRCLIP	20	
3	90340-18101	.PLUG, straight screw	4	
4	3GM-11133-10	.GUIDE, intake valve	12	
5	3GM-11134-10	.GUIDE, exhaust valve	8	
6	95611-08625	BOLT, stud	8	
7	93604-10011	PIN, dowel	8	
8	94701-00241	PLUG, spark (NGK DPR8EA-9)	4	UR
	94701-00242	PLUG, spark (ND X24EPR-U9)	4	UR
9	90201-103M4	WASHER, plate	12	
10	90176-10049	NUT, crown	4	
11	90179-10584	NUT	8	
12	99530-10014	PIN, dowel	2	
13	3GM-11182-00	GASKET, cylinder head 2	1	
14	4BH-1115A-00	CAM CASE ASSY	1	
15	99510-08016	.PIN, dowel	16	
16	90105-06153	.BOLT, washer based	16	
17	95023-06012	BOLT	1	
18	90430-06014	GASKET	1	
19	90105-06541	BOLT, washer based	24	
20	95023-06025	BOLT	11	
21	4BH-11191-00	COVER, cylinder head 1	1	
22	3GM-11193-00	GASKET, head cover 1	1	
23	90109-064F0	BOLT	8	
24	90209-11262	WASHER	8	
25	2GH-1111G-00	RUBBER, mount 1	8	

4BH332-3010

FIG. 2 CYLINDER

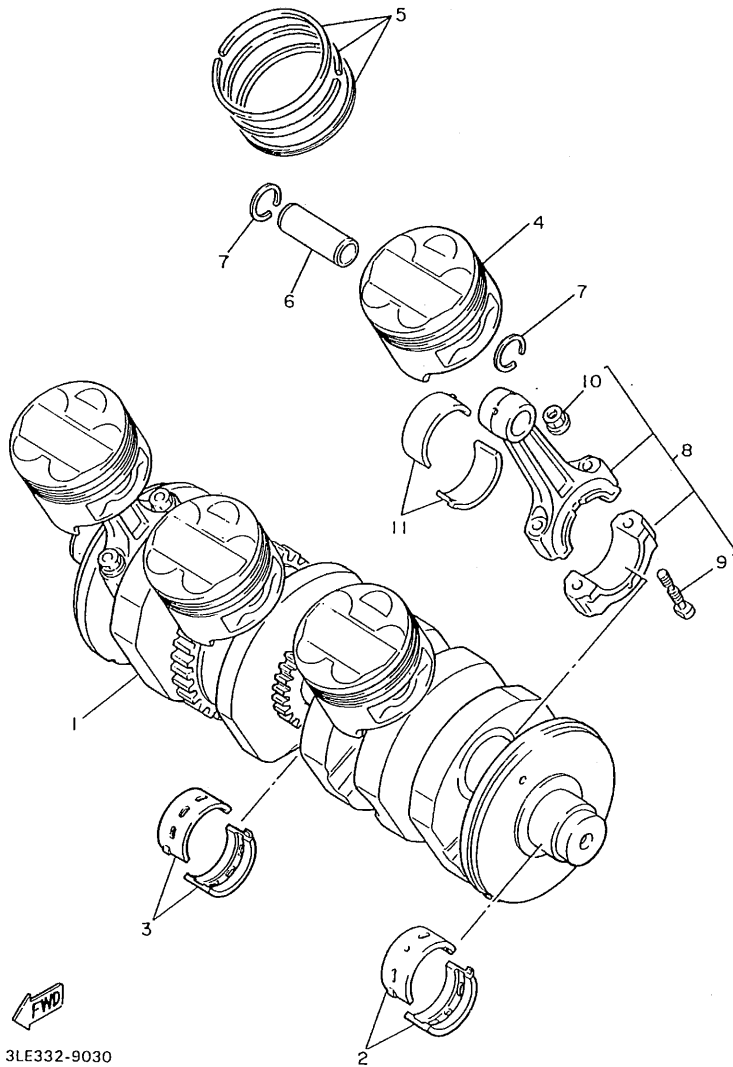


REF. NO.	PART NO.	DESCRIPTION	Q'TY	REMARKS
1	3GM-11351-00	GASKET, cylinder	1	
2	3GM-11310-00	CYLINDER	1	
3	93210-77363	O-RING	4	
4	95023-06012	BOLT	2	
5	90430-06014	GASKET	2	
6	99510-14016	PIN, dowel	2	
7	3GM-11181-00	GASKET, cylinder head 1	1	



3LE332-9020

FIG. 3 CRANKSHAFT • PISTON

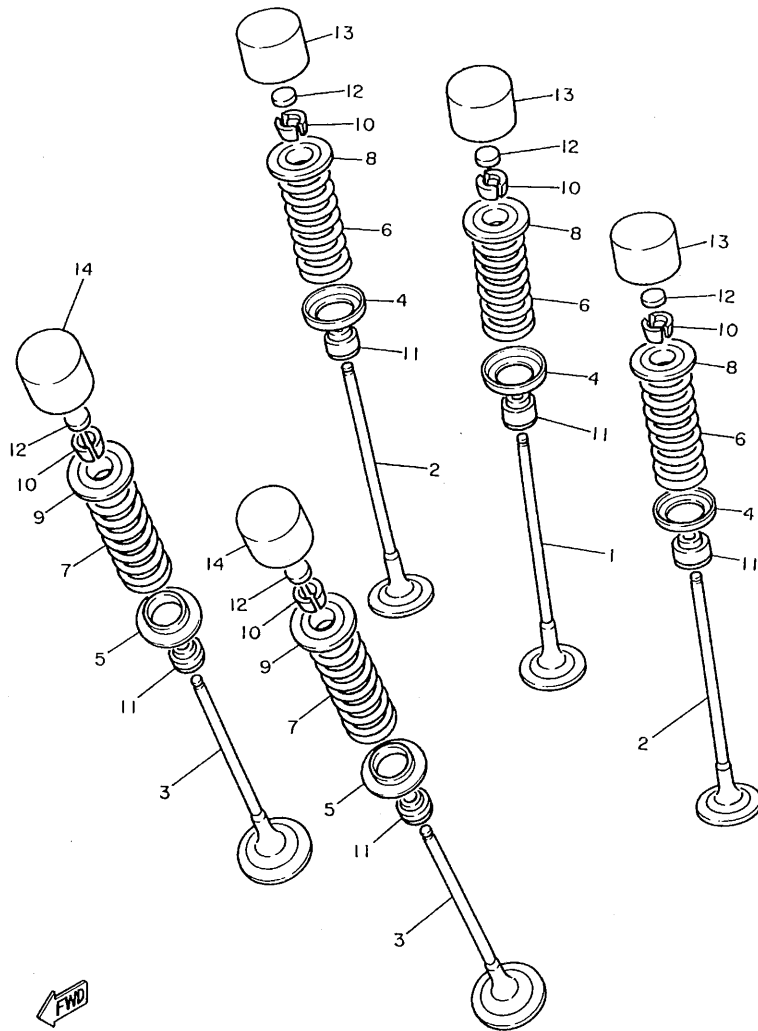


REF. NO.	PART NO.	DESCRIPTION	Q'TY	REMARKS
1	4BH-11411-00	CRANKSHAFT	1	
2	2GH-11416-00	PLANE BEARING, crankshaft 1	8	UR BLUE
	2GH-11416-10	PLANE BEARING, crankshaft 1	8	UR BLACK
	2GH-11416-20	PLANE BEARING, crankshaft 1	8	UR BROWN
	2GH-11416-30	PLANE BEARING, crankshaft 1	8	UR GREEN
	2GH-11416-40	PLANE BEARING, crankshaft 1	8	UR YELLOW
3	3GM-11416-00	PLANE BEARING, crankshaft 1	2	UR BLUE
	3GM-11416-10	PLANE BEARING, crankshaft 1	2	UR BLACK
	3GM-11416-20	PLANE BEARING, crankshaft 1	2	UR BROWN
	3GM-11416-30	PLANE BEARING, crankshaft 1	2	UR GREEN
	3GM-11416-40	PLANE BEARING, crankshaft 1	2	UR YELLOW
4	4BH-11631-00	PISTON (STD)	4	
	4BH-11636-00	PISTON (0.50MM O/S)	4	AP
5	4BH-11603-00	PISTON RING SET (STD)	4	
	4BH-11605-00	PISTON RING SET (0.50MM O/S)	4	AP
6	3GM-11633-00	PIN, piston	4	
7	93450-19095	CIRCLIP	8	
8	3GM-11650-01	CONNECTING ROD ASSY	4	
9	12R-11654-00	.BOLT, connecting rod	2	
10	90179-08327	.NUT	2	
11	3GM-11656-00	PLANE BEARING, connecting rod	8	UR BLUE
	3GM-11656-10	PLANE BEARING, connecting rod	8	UR BLACK
	3GM-11656-20	PLANE BEARING, connecting rod	8	UR BROWN
	3GM-11656-30	PLANE BEARING, connecting rod	8	UR GREEN



3LE332-9030

FIG. 4 VALVE

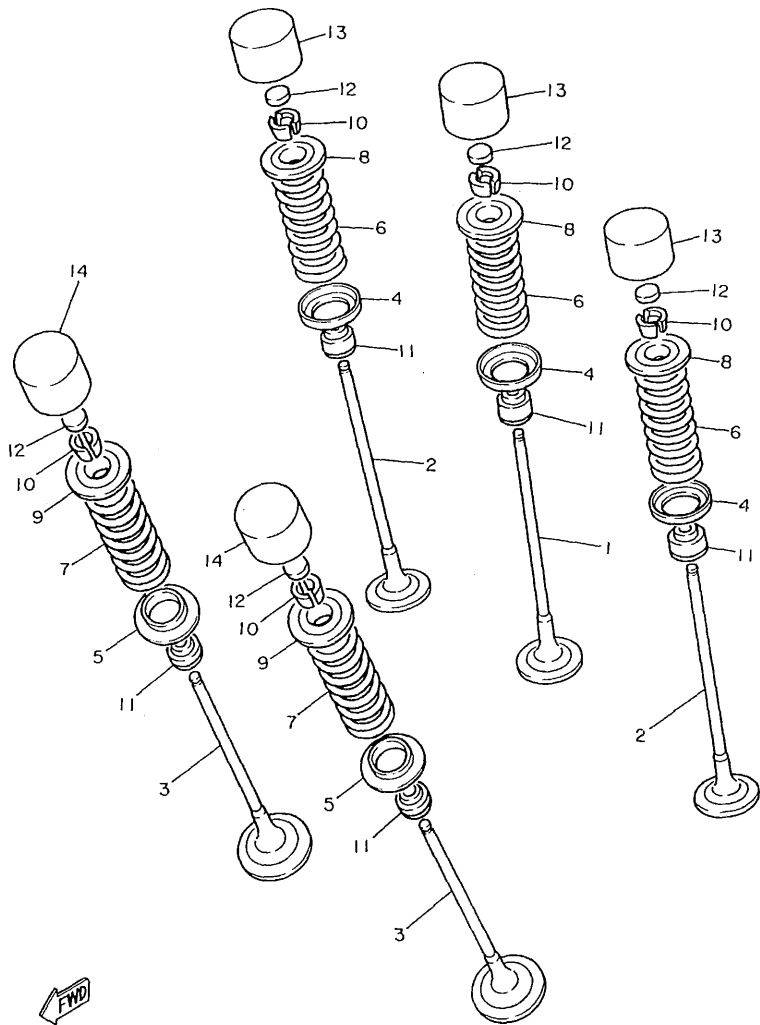


3LE332-9040

REF. NO.	PART NO.	DESCRIPTION	Q'TY	REMARKS
1	3GM-12111-00	VALVE, intake	4	
2	3GM-12112-00	VALVE, intake 2	8	
3	3GM-12121-00	VALVE, exhaust	8	
4	3GM-12116-00	SEAT, valve spring	12	
5	3GM-12126-00	SEAT, valve spring 2	8	
6	3GM-12113-00	SPRING, valve inner	12	
7	4BH-12114-00	SPRING, valve outer	8	
8	3GM-12117-00	RETAINER, valve spring	12	
9	1WG-12117-00	RETAINER, valve spring	8	
10	1WG-12118-00	COTTER, valve	40	
11	1WG-12119-00	SEAL, valve stem	20	
12	1HX-12168-00	PAD, adjusting 2 (1.20)	20	UR
	1HX-12168-20	PAD, adjusting 2 (1.25)	20	UR
	1HX-12168-40	PAD, adjusting 2 (1.30)	20	UR
	1HX-12168-60	PAD, adjusting 2 (1.35)	20	UR
	1HX-12168-80	PAD, adjusting 2 (1.40)	20	UR
	1HX-12168-A0	PAD, adjusting 2 (1.45)	20	UR
	1HX-12168-F0	PAD, adjusting 2 (1.50)	20	UR
	1HX-12168-H1	PAD, adjusting 2 (1.55)	20	UR
	1HX-12168-K1	PAD, adjusting 2 (1.60)	20	UR
	1HX-12168-M1	PAD, adjusting 2 (1.65)	20	UR
	1HX-12168-R1	PAD, adjusting 2 (1.70)	20	UR
	1HX-12168-U1	PAD, adjusting 2 (1.75)	20	UR
	1HX-12168-W1	PAD, adjusting 2 (1.80)	20	UR
	1HX-12168-Y1	PAD, adjusting 2 (1.85)	20	UR
	1HX-12169-11	PAD, adjusting 2 (1.90)	20	UR
	1HX-12169-31	PAD, adjusting 2 (1.95)	20	UR
	1HX-12169-50	PAD, adjusting 2 (2.00)	20	UR

B5

FIG. 4 VALVE



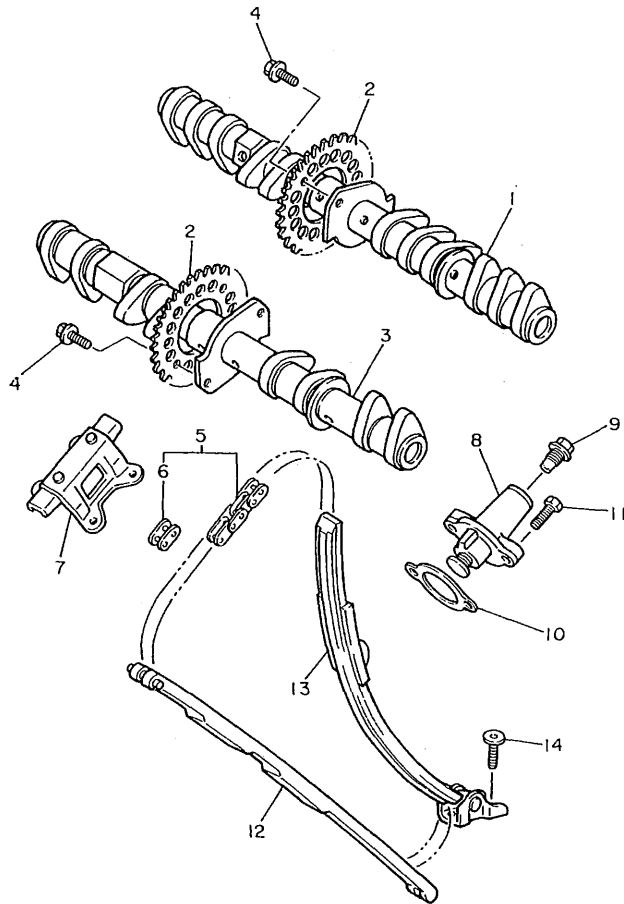
REF. NO.	PART NO.	DESCRIPTION	Q'TY	REMARKS
12	1HX-12169-70	PAD, adjusting 2 (2.05)	20	UR
	1HX-12169-90	PAD, adjusting 2 (2.10)	20	UR
	1HX-12169-E0	PAD, adjusting 2 (2.15)	20	UR
	1HX-12169-G0	PAD, adjusting 2 (2.20)	20	UR
	1HX-12169-J0	PAD, adjusting 2 (2.25)	20	UR
	1HX-12169-L0	PAD, adjusting 2 (2.30)	20	UR
	1HX-12169-N0	PAD, adjusting 2 (2.35)	20	UR
	1HX-12169-T0	PAD, adjusting 2 (2.40)	20	UR
13	2NK-12153-02	LIFTER, valve	12	UR BLACK
	2NK-12153-09	LIFTER, valve (O/S)	12	UR WHITE
14	1WG-12153-21	LIFTER, valve	8	UR BLUE
	1WG-12153-09	LIFTER, valve (O/S)	8	UR WHITE

FWD

3LE332-9040

B6

FIG. 5 CAMSHAFT • CHAIN



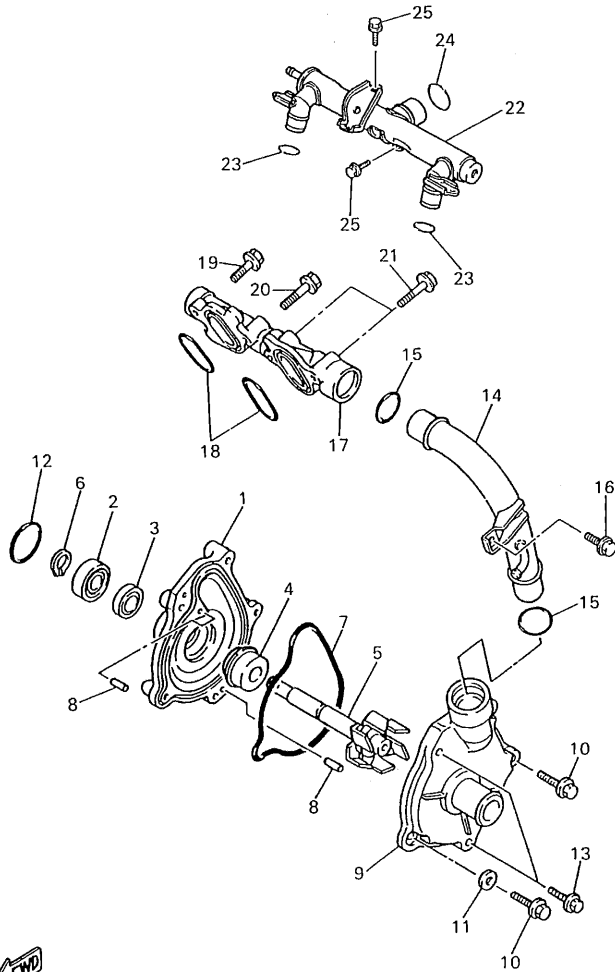
REF. NO.	PART NO.	DESCRIPTION	Q'TY	REMARKS
1	4BH-12171-00	CAMSHAFT 1	1	
2	3GM-12176-00	SPROCKET, cam chain	2	
3	4BH-12181-00	CAMSHAFT 2	1	
4	90105-07342	BOLT, washer based	4	
5	94581-01108	CHAIN (DID219FS-108L)	1	
6	94681-01021	JOINT, chain	1	
7	2GH-12241-00	GUIDE, stopper 2	1	
8	4BH-12210-00	TENSIONER ASSY, cam chain	1	
9	90109-112F1	BOLT	1	
10	4BE-12213-00	GASKET, tensioner case	1	
11	95023-06025	BOLT	2	
12	3GM-12251-00	DAMPER, chain 1	1	
13	3GM-12252-00	DAMPER, chain 2	1	
14	90109-065A8	BOLT	2	



3LE332-9050

B7

FIG. 6 WATER PUMP

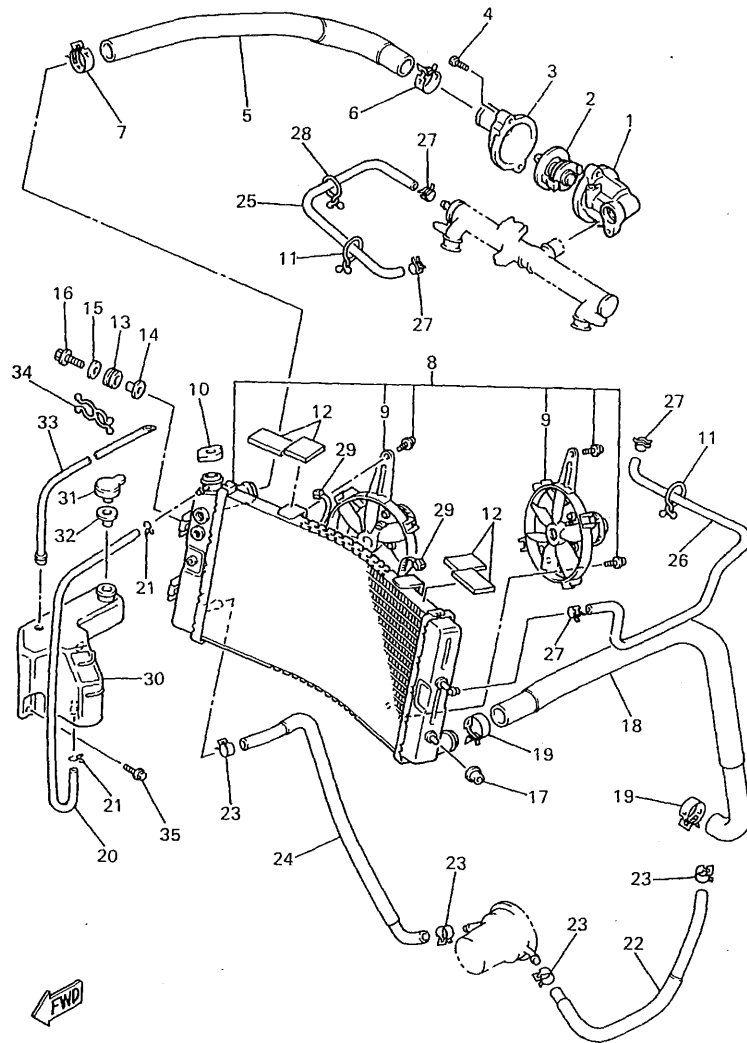


REF. NO.	PART NO.	DESCRIPTION	Q'TY	REMARKS
1	1UF-12421-09	HOUSING, water pump	1	
2	93306-00106	BEARING	1	
3	93101-12060	OIL SEAL	1	
4	11H-12438-00	SEAL, mechanical	1	
5	1UF-12450-00	IMPELLER SHAFT ASSY	1	
6	99009-12400	CIRCLIP	1	
7	1AE-12439-00	O-RING	1	
8	93604-10011	PIN, dowel	2	
9	4BH-12422-00	COVER, housing	1	
10	95023-06025	BOLT	3	
11	90430-06014	GASKET	1	
12	93210-33133	O-RING	1	
13	95021-06050	BOLT, flange	2	
14	4BH-12481-01	PIPE 1	1	
15	93210-23787	O-RING	2	
16	95023-06012	BOLT	1	
17	3DX-12469-00	JOINT 1	1	
18	93210-30694	O-RING	2	
19	95023-06020	BOLT	1	
20	95023-06030	BOLT	1	
21	95023-06040	BOLT	2	
22	4BH-12482-00	PIPE 2	1	
23	93210-18417	O-RING	2	
24	93210-23787	O-RING	1	
25	95023-06010	BOLT	2	



4BH332-3060

FIG. 7 RADIATOR • HOSE

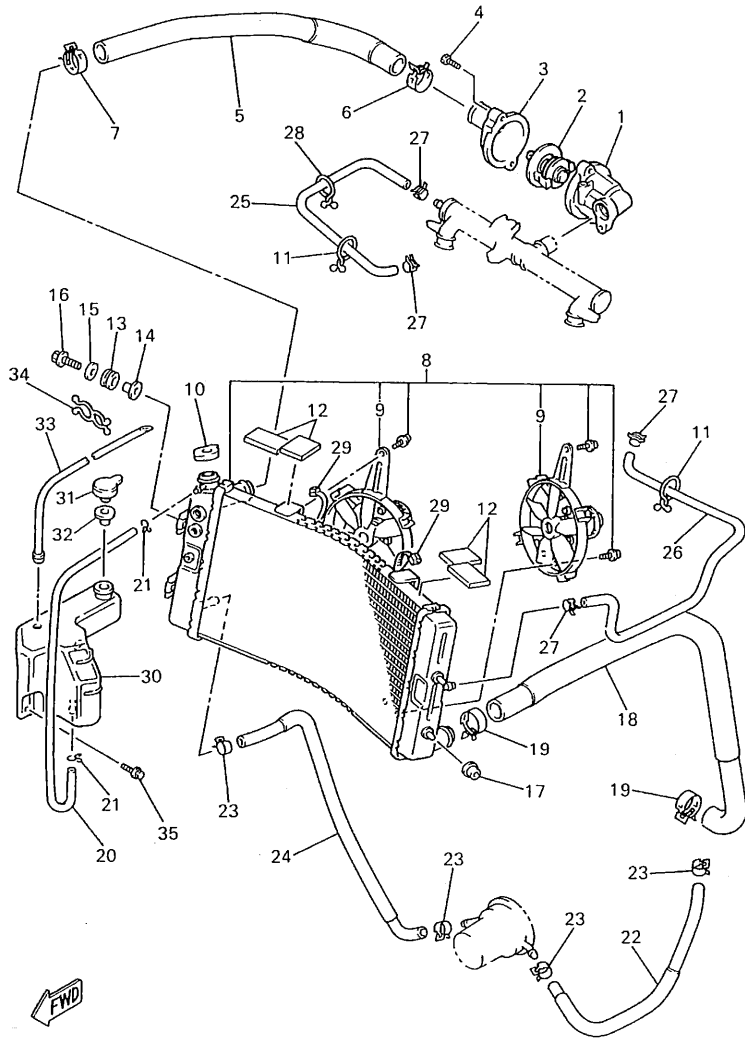


4BH351-4070

B9

REF. NO.	PART NO.	DESCRIPTION	QTY	REMARKS
1	3GM-12417-00	HOUSING, thermostat	1	
2	3GM-12410-00	THERMOSTAT ASSY	1	
3	3GM-12413-00	COVER, thermostat	1	
4	95023-06025	BOLT	2	
5	4BH-12576-00	HOSE 1	1	
6	90467-33143	CLIP	1	
7	90467-28142	CLIP	1	
8	4BH-1240A-00	RADIATOR ASSY	1	
9	4BH-12405-00	.BLOWER ASSY	2	
10	22W-12462-00	CAP, radiator	1	
11	90464-18116	CLAMP	2	
12	3BB-22261-00	DAMPER, sub tank	4	
13	90480-18276	GROMMET	2	
14	90387-07037	COLLAR	2	
15	90201-063J2	WASHER, plate	2	
16	95826-06020	BOLT, flange	2	
17	90480-20566	GROMMET	2	
18	4BH-12577-00	HOSE 2	1	
19	90467-28142	CLIP	2	
20	90445-09115	HOSE	1	
21	90467-08003	CLIP	2	
22	4BH-12588-00	HOSE 5	1	
23	90467-15141	CLIP	4	
24	4BH-12589-00	HOSE 6	1	
25	4BH-12578-00	HOSE 3	1	
26	4BH-12579-00	HOSE 4	1	
27	90467-11139	CLIP	4	
28	90464-23041	CLAMP	1	

FIG. 7 RADIATOR • HOSE

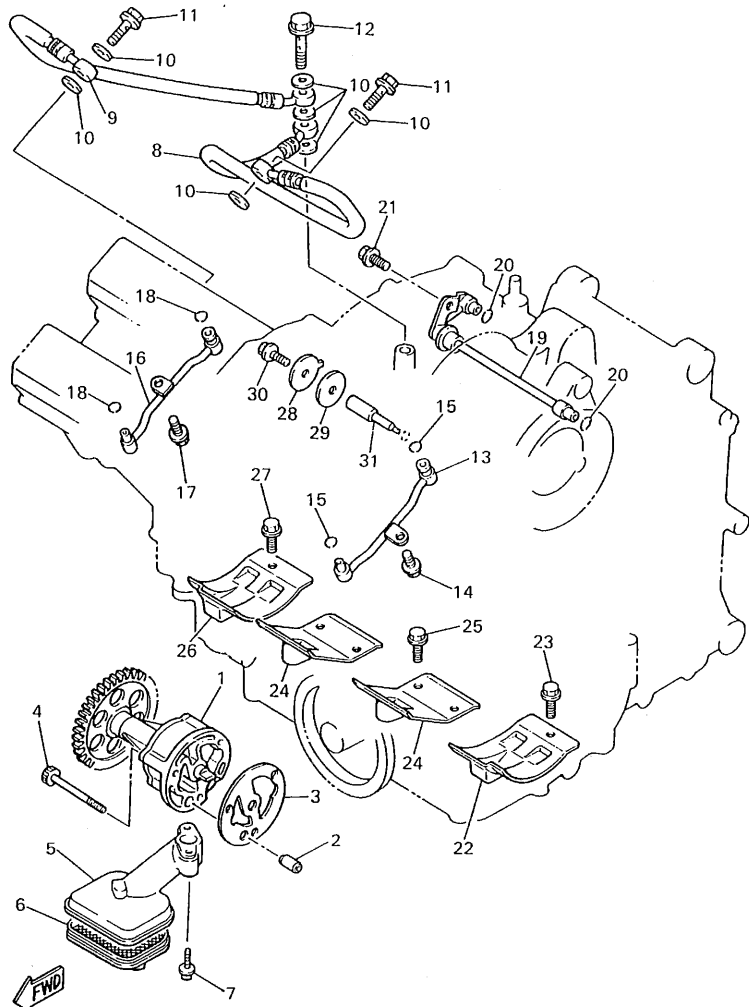


REF. NO.	PART NO.	DESCRIPTION	Q'TY	REMARKS
29	90464-13073	CLAMP	2	
30	4BH-21871-00	TANK, recovery	1	
31	4L0-21875-00	CAP	1	
32	1AA-21874-00	GASKET	1	
33	4BH-21877-00	PIPE, overflow	1	
34	90464-26114	CLAMP	1	
35	90119-06192	BOLT, with washer	2	

4BH351-4070

B10

FIG. 8 OIL PUMP



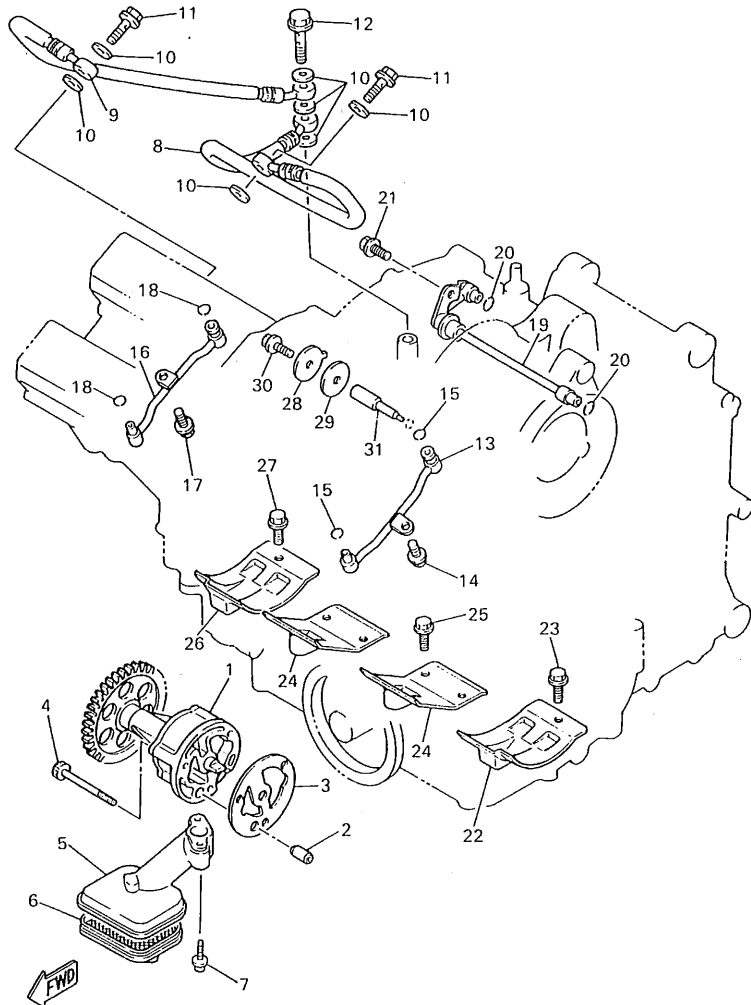
4BH332-3080

REF. NO.	PART NO.	DESCRIPTION	Q'TY	REMARKS
1	1AE-13300-00	OIL PUMP ASSY	1	
2	99510-08012	PIN, dowel	1	
3	2GH-13329-00	GASKET, pump cover	1	
4	91316-06050	BOLT	3	
5	4BH-13412-00	HOUSING, strainer	1	
6	4BH-13411-00	STRAINER, oil	1	
7	95026-06030	BOLT, flange	2	
8	4BH-1316F-00	HOSE, oil 1	1	
9	4BH-1316G-00	HOSE, oil 2	1	
10	90430-10171	GASKET	7	
11	90401-10096	BOLT, union	2	
12	90401-10044	BOLT, union	1	
13	3GM-13181-00	PIPE, delivery 3	1	
14	95026-06012	BOLT, flange	1	
15	93210-06632	O-RING	2	
16	3GM-13191-00	PIPE, delivery 4	1	
17	95026-06012	BOLT, flange	1	
18	93210-06632	O-RING	2	
19	2GH-1316E-00	PIPE, delivery 5	1	
20	93210-07135	O-RING	2	
21	95026-06012	BOLT, flange	1	
22	2GH-15123-00	PLATE, baffle 1	1	
23	95026-06012	BOLT, flange	2	
24	1AE-15124-00	PLATE, baffle 2	2	
25	95026-06012	BOLT, flange	6	
26	2GH-15133-00	PLATE, baffle 3	1	
27	95026-06012	BOLT, flange	2	
28	90201-061M7	WASHER, plate	1	

B11

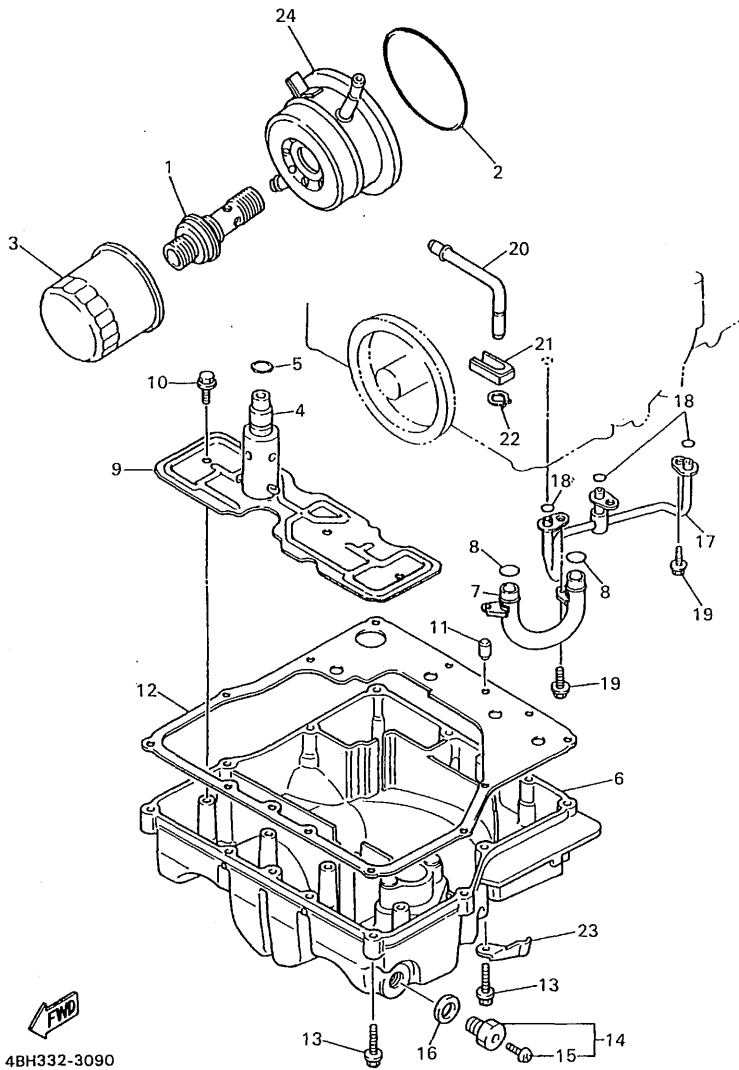
FIG. 8 OIL PUMP

REF. NO.	PART NO.	DESCRIPTION	Q'TY	REMARKS
29	4BH-13475-00	GASKET	1	
30	95811-06016	BOLT, flange	1	
31	3GM-13454-00	NOZZLE	1	



4BH332-3080

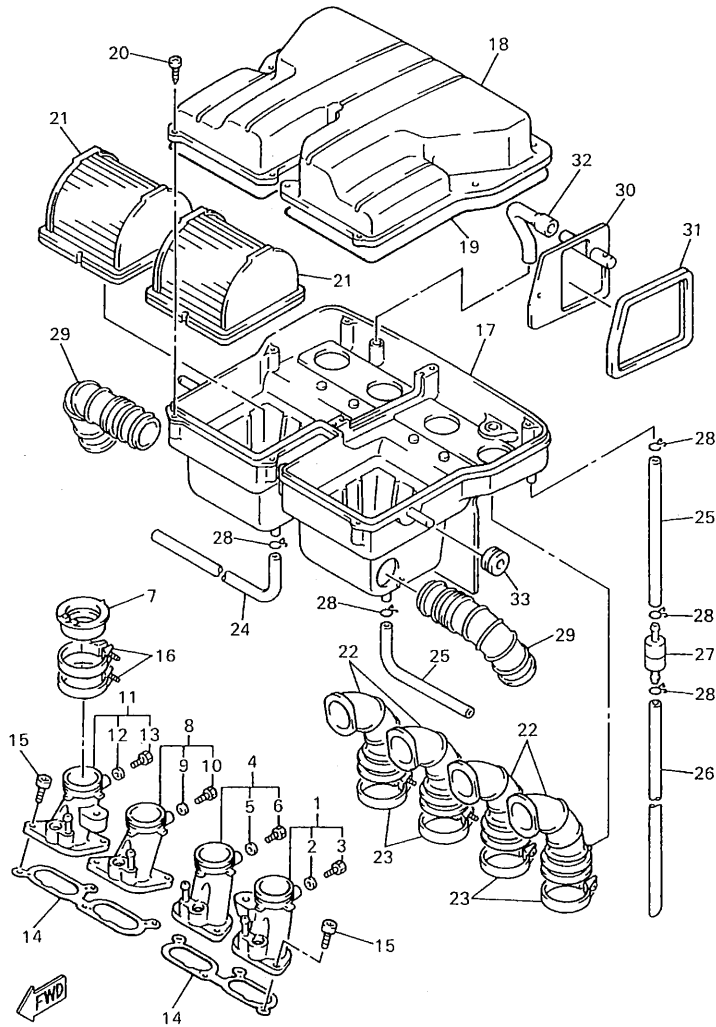
FIG. 9 OIL CLEANER



4BH332-3090

REF. NO.	PART NO.	DESCRIPTION	Q'TY	REMARKS
1	3TJ-13340-00	BY-PASS VALVE ASSY	1	
2	93210-87723	O-RING	1	
3	3FV-13440-00	ELEMENT ASSY, oil cleaner	1	
4	3KS-13490-00	RELIEF VALVE ASSY	1	
5	93210-15566	O-RING	1	
6	4BH-13417-00	COVER, strainer	1	
7	3FV-13416-01	PIPE, oil 1	1	
8	93210-14579	O-RING	2	
9	3GM-13337-00	PLATE, baffle lower	1	
10	95026-06010	BOLT, flange	4	
11	99510-08016	PIN, dowel	2	
12	4BH-13414-00	GASKET, strainer cover	1	
13	95023-06030	BOLT	12	
14	3VD-13455-00	PLUG	1	
15	98901-06008	SCREW, bind	1	
16	214-11198-01	GASKET	1	
17	3GM-13161-01	PIPE, delivery 1	1	
18	93210-06714	O-RING	3	
19	95026-06012	BOLT, flange	3	
20	3GM-15373-00	PIPE, breather	1	
21	3GM-13174-00	HOLDER, oil pipe	1	
22	99009-10400	CIRCLIP	1	
23	90465-08076	CLAMP	1	
24	4BH-13470-00	OIL COOLER ASSY	1	

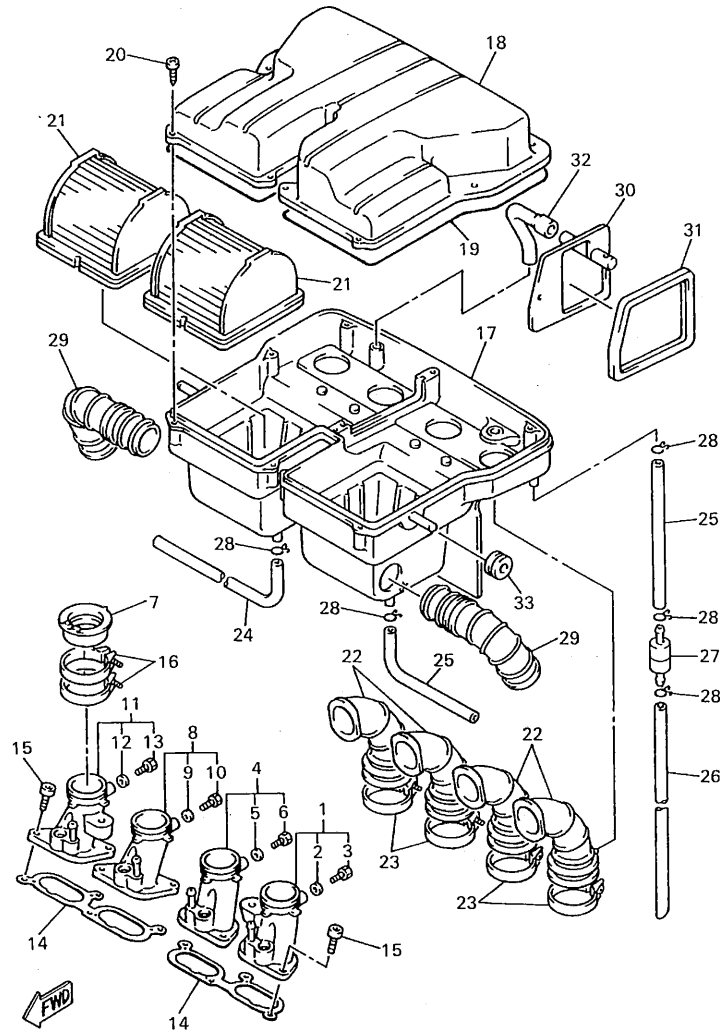
FIG. 10 INTAKE



4BH332-3100

REF. NO.	PART NO.	DESCRIPTION	Q'TY	REMARKS
1	4BH-13586-00	JOINT, carburetor 1	1	
2	90430-06014	.GASKET	1	
3	91312-06012	.BOLT	1	
4	4BH-13596-00	JOINT, carburetor 2	1	
5	90430-06014	.GASKET	1	
6	91312-06012	.BOLT	1	
7	2LM-13597-00	JOINT, carburetor 3	4	
8	4BH-13597-00	JOINT, carburetor 3	1	
9	90430-06014	.GASKET	1	
10	91312-06012	.BOLT	1	
11	4BH-13598-00	JOINT, carburetor 4	1	
12	90430-06014	.GASKET	1	
13	91312-06012	.BOLT	1	
14	4BH-13556-01	GASKET, manifold	2	
15	91311-06020	BOLT	8	
16	1AE-13575-00	BAND	8	
17	4BH-W1441-00	AIR CLEANER CASE COMP.	1	
18	4BH-14421-00	CASE, air cleaner 2	1	
19	4BH-14457-00	SEAL	1	
20	97780-50125	SCREW, tapping	10	
21	4BH-14451-00	ELEMENT, air cleaner	2	
22	4BH-14453-00	JOINT, air cleaner 1	4	
23	90450-49020	HOSE CLAMP ASSY	4	
24	4BH-14987-00	HOSE	1	
25	90445-11293	HOSE	2	
26	90445-075G7	HOSE	1	
27	4X7-2149Y-00	FILTER ASSY	1	
28	90467-10008	CLIP	5	

FIG. 10 INTAKE



4BH332-3100

REF. NO.	PART NO.	DESCRIPTION	Q'TY	REMARKS
29	4BH-14437-00	DUCT	2	
30	4BH-14432-00	SILENSER, inner	1	
31	4BH-14452-00	SEAL	1	
32	4BH-14465-00	PIPE	1	
33	90480-18499	GROMMET	1	

FIG. 11 INTAKE 2

REF. NO.	PART NO.	DESCRIPTION	Q'TY	REMARKS
1	4BH-13750-00	THROTTLE BODY ASSY	1	
2	4BH-13751-00	.BODY, throttle 1	1	
3	4BH-13752-00	.BODY, throttle 2	1	
4	4BH-13753-00	.BODY, throttle 3	1	
5	4BH-13754-00	.BODY, throttle 4	1	
6	4BH-14105-00	..PILOT SCREW SET	1	
7	4BH-14386-00	.PIN, float	1	
8	256-14919-00	.CLIP	1	
9	820-14137-00	.CLIP	1	
10	4BH-14938-00	.SPRING	1	
11	98501-05012	.SCREW, pan head	16	
12	4BH-14103-00	.THROTTLE SCREW SET	3	
13	1HX-14131-00	.SPRING, throttle valve	2	
14	4BH-1490K-00	.STOP SCREW SET	1	
15	22F-14117-00	.WASHER, plug screw	1	
16	98702-05010	.SCREW, flat head	2	
17	98580-04008	.SCREW, pan head	4	
18	4BH-14204-00	.CASE, starter	1	
19	4BH-85885-00	.THROTTLE SENSOR ASSY	1	
20	4BH-14592-00	.SCREW	2	
21	92901-04600	.WASHER, plate	2	
22	99510-08012	PIN, dowel	2	
23	4BH-13938-00	PIPE	1	
24	34M-21639-00	DAMPER 2	1	
25	91311-06025	BOLT	2	
26	4BH-13915-00	FILTER	1	
27	4BH-14425-00	DAMPER 1	1	
28	4BH-13764-00	GASKET	4	

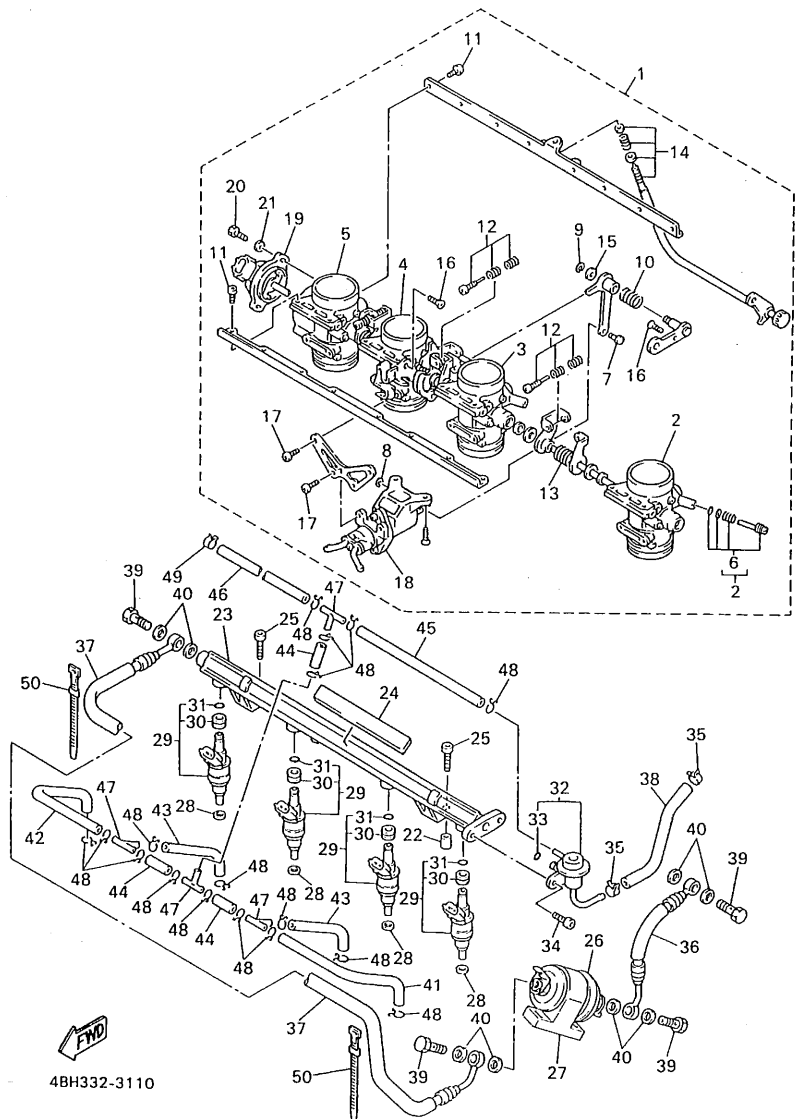
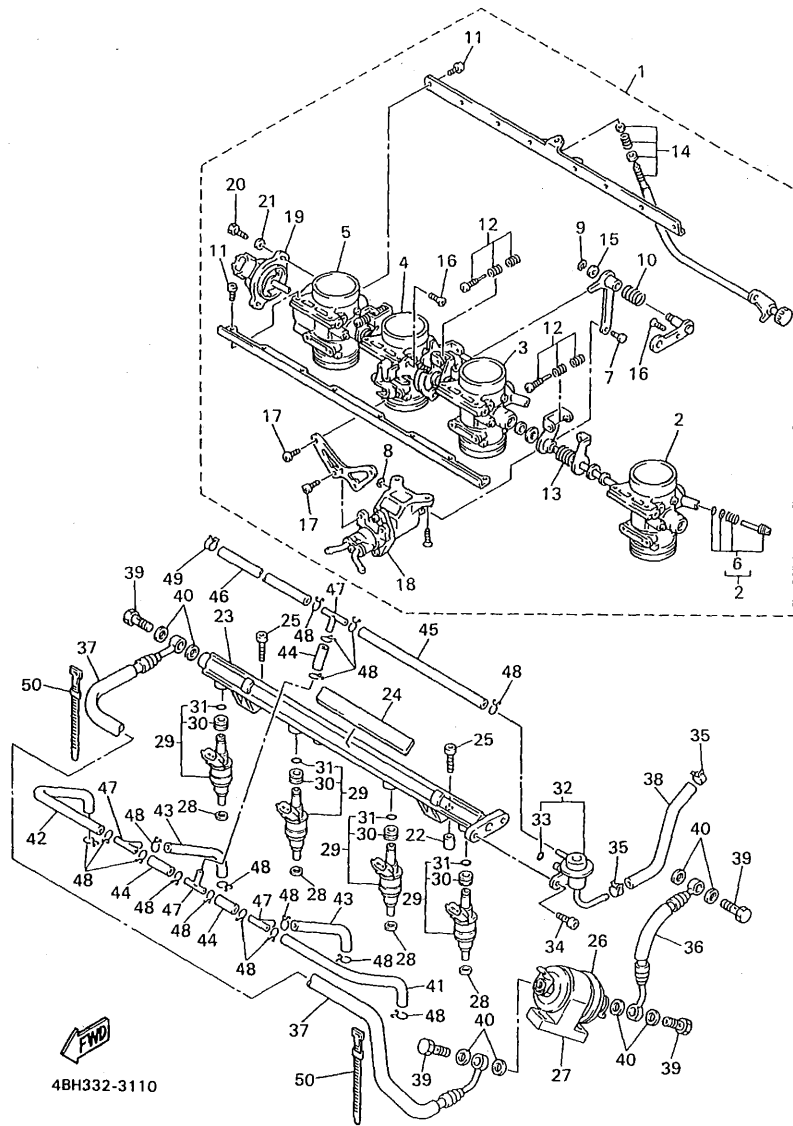


FIG. 11 INTAKE 2

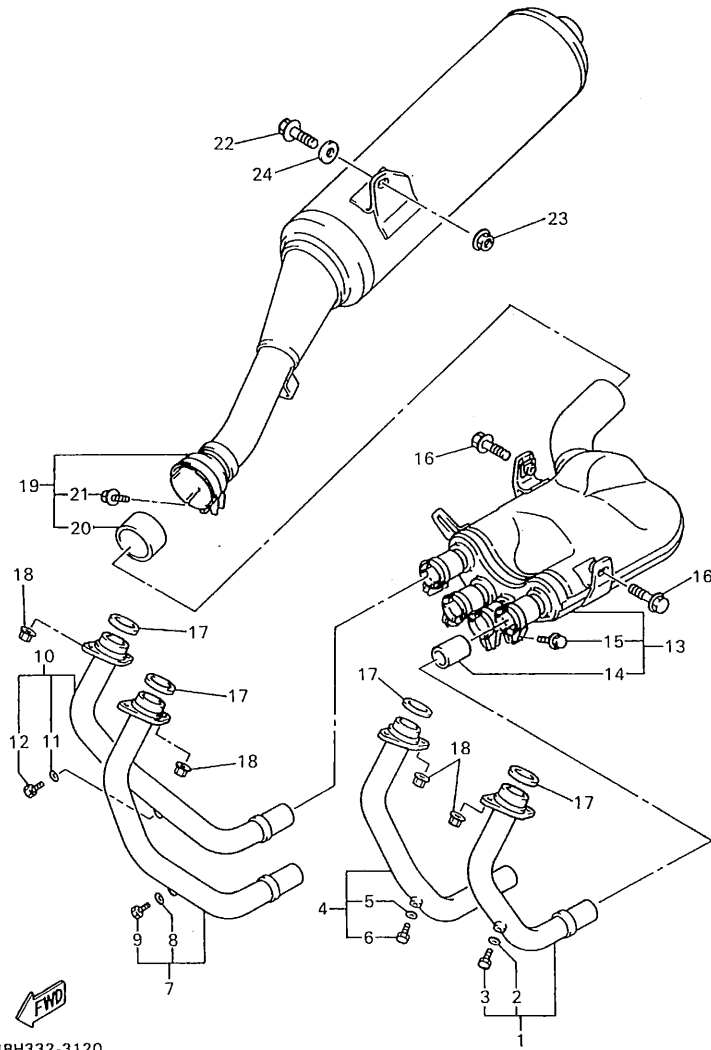


4BH332-3110

REF. NO.	PART NO.	DESCRIPTION	Q'TY	REMARKS
29	4BH-13761-00	INJECTOR ASSY	4	
30	4BH-13766-00	.RUBBER, injector	1	
31	4BH-13769-00	.O-RING	1	
32	4BH-13906-00	REGULATOR, pressure	1	
33	4BH-13769-00	.O-RING	1	
34	90110-06145	BOLT, hexagon socket head	2	
35	90467-13114	CLIP	2	
36	4BH-13971-00	PIPE, fuel 1	1	
37	4BH-13972-00	PIPE, fuel 2	1	
38	4BH-13973-00	PIPE, fuel 3	1	
39	4BH-13573-00	BOLT 1	4	
40	90430-12219	GASKET	8	
41	4BH-13542-00	HOSE, vacuum sensing 1	1	
42	4BH-13544-00	HOSE, vacuum sensing 2	1	
43	4BH-13532-00	HOSE, vacuum sensing 3	2	
44	4BH-13533-00	HOSE, vacuum sensing 4	3	
45	4BH-13534-00	HOSE, vacuum sensing 5	1	
46	4BH-13535-00	HOSE, vacuum sensing 5	1	
47	90413-05014	WAY 3	4	
48	90467-08021	CLIP	17	
49	90467-07138	CLIP	1	
50	437-83936-11	BAND, switch cord	2	

C3

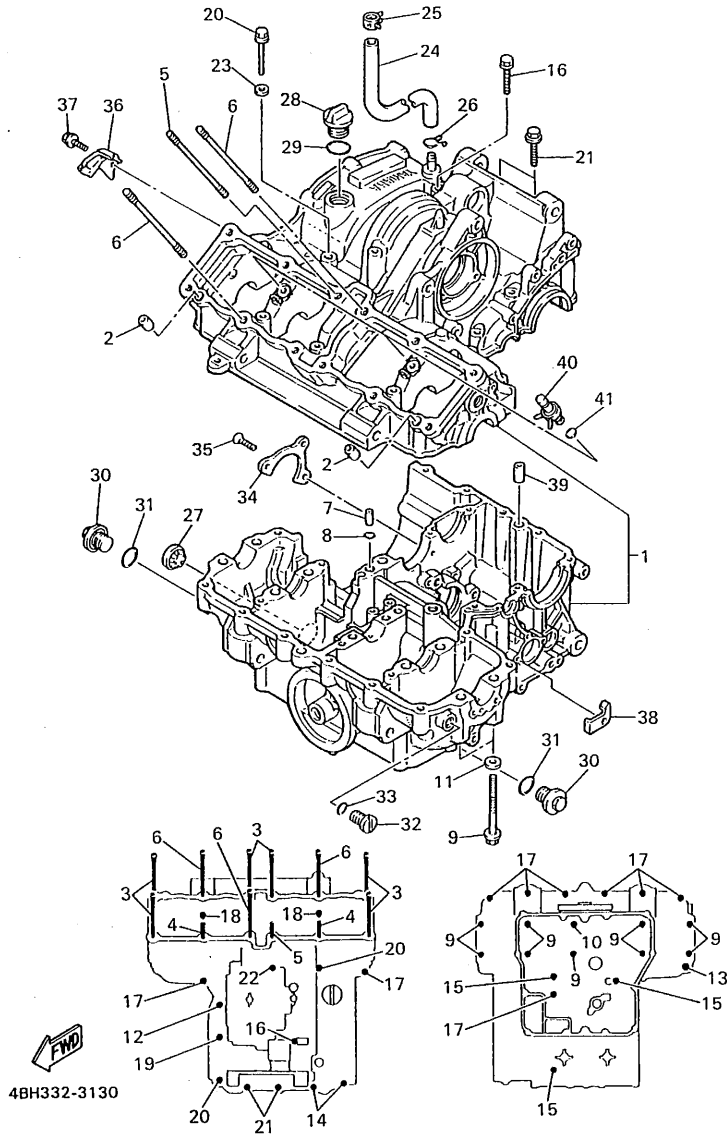
FIG. 12 EXHAUST



REF. NO.	PART NO.	DESCRIPTION	Q'TY	REMARKS
1	4BH-14610-00	EXHAUST PIPE ASSY 1	1	
2	92906-06600	.WASHER, plate	1	
3	90101-06576	.BOLT	1	
4	4BH-14620-00	EXHAUST PIPE ASSY 2	1	
5	92906-06600	.WASHER, plate	1	
6	90101-06576	.BOLT	1	
7	4BH-14630-00	EXHAUST PIPE ASSY 3	1	
8	92906-06600	.WASHER, plate	1	
9	90101-06576	.BOLT	1	
10	4BH-14650-00	EXHAUST PIPE ASSY 4	1	
11	92906-06600	.WASHER, plate	1	
12	90101-06576	.BOLT	1	
13	4BH-14730-00	CHAMBER ASSY	1	
14	4BH-14714-00	.GASKET, muffler	4	
15	95023-08020	.BOLT	4	
16	95811-08035	BOLT, flange	2	
17	3YF-14613-01	GASKET, exhaust pipe	4	
18	90179-08410	NUT	8	
19	4BH-14710-00	MUFFLER ASSY 1	1	
20	3HE-14755-00	.GASKET, silencer	1	
21	95821-08025	.BOLT, flange	1	
22	90105-10316	BOLT, washer based	1	
23	95701-10500	NUT, flange	1	
24	90201-10669	WASHER, plate	1	

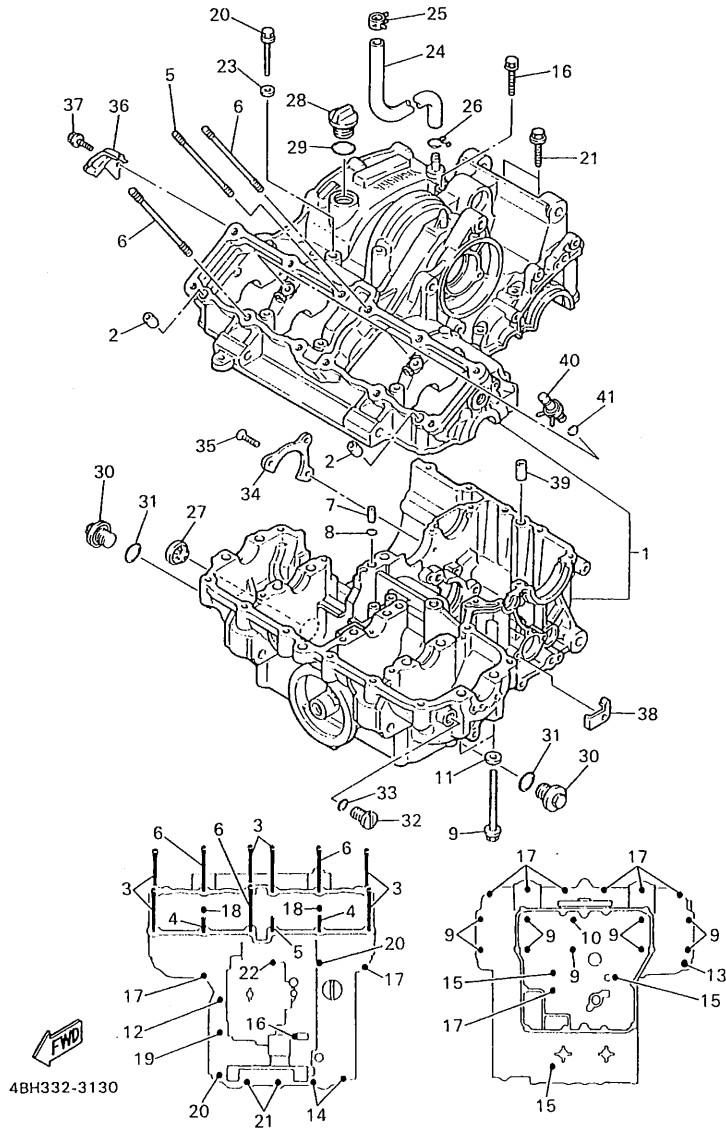
4BH332-3120

FIG. 13 CRANKCASE



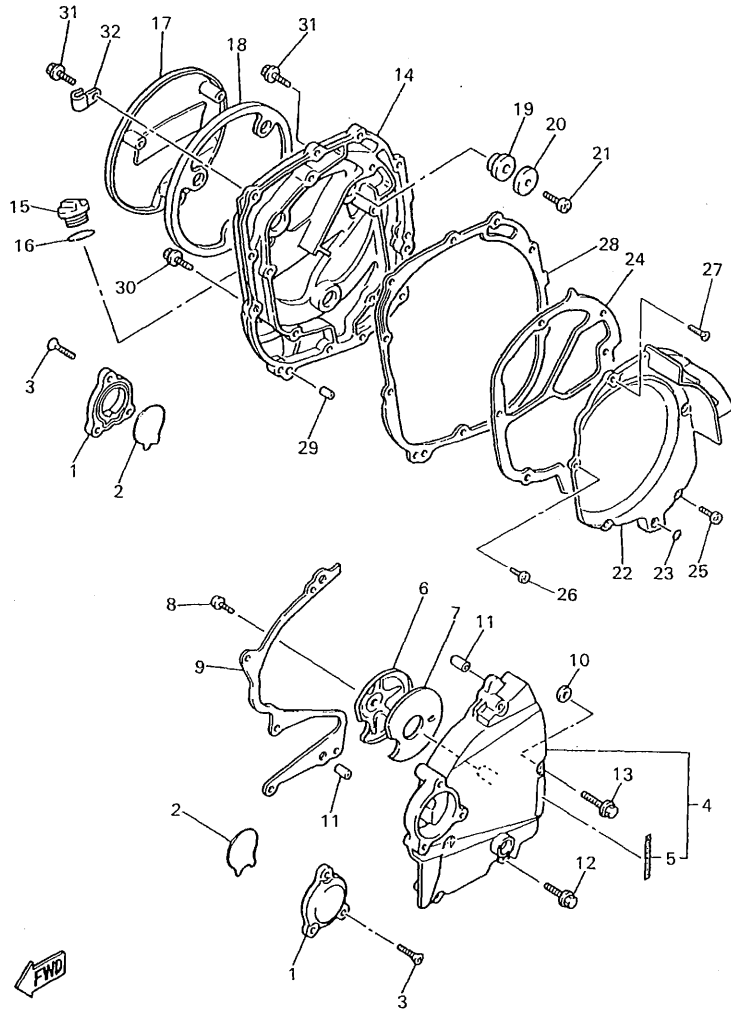
REF. NO.	PART NO.	DESCRIPTION	Q'TY	REMARKS
1	3GM-15100-52	CRANKCASE ASSY	1	
2	99530-10014	PIN, dowel	2	
3	90116-10532	BOLT, stud	6	
4	90116-10569	BOLT, stud	2	
5	90116-10531	BOLT, stud	1	
6	90116-10576	BOLT, stud	3	
7	90387-05383	COLLAR	1	
8	93210-07135	O-RING	1	
9	90105-09373	BOLT, washer based	9	
10	90105-09580	BOLT, washer based	1	
11	90201-096J9	WASHER, plate	4	
12	95811-06035	BOLT, flange	1	
13	95811-08045	BOLT, flange	1	
14	95811-06060	BOLT, flange	2	
15	95811-06080	BOLT, flange	3	
16	95811-06140	BOLT, flange	1	
17	95811-08045	BOLT, flange	9	
18	95811-08055	BOLT, flange	2	
19	95811-08065	BOLT, flange	1	
20	95811-08090	BOLT, flange	2	
21	95811-08060	BOLT, flange	2	
22	90105-09555	BOLT, washer based	1	
23	90201-08087	WASHER, plate	1	
24	48H-11166-00	PIPE, breather 1	1	
25	90467-15054	CLIP	1	
26	90467-14015	CLIP	1	
27	2H7-15361-00	GAUGE, level	1	
28	3FV-15363-00	PLUG, oil	1	

FIG. 13 CRANKCASE



REF. NO.	PART NO.	DESCRIPTION	Q'TY	REMARKS
29	93210-27778	O-RING	1	
30	4H7-15189-00	PLUG	2	
31	93210-20573	O-RING	2	
32	90340-14068	PLUG, straight screw	1	
33	93210-14369	O-RING	1	
34	1AE-15383-00	PLATE, bearing cover	1	
35	90151-06014	SCREW, countersunk	3	
36	90462-08184	CLAMP	1	
37	95023-06012	BOLT	1	
38	90462-08158	CLAMP	1	
39	99510-12016	PIN, dowel	1	
40	2TK-15105-00	NOZZLE ASSY	2	
41	93210-06632	O-RING	2	

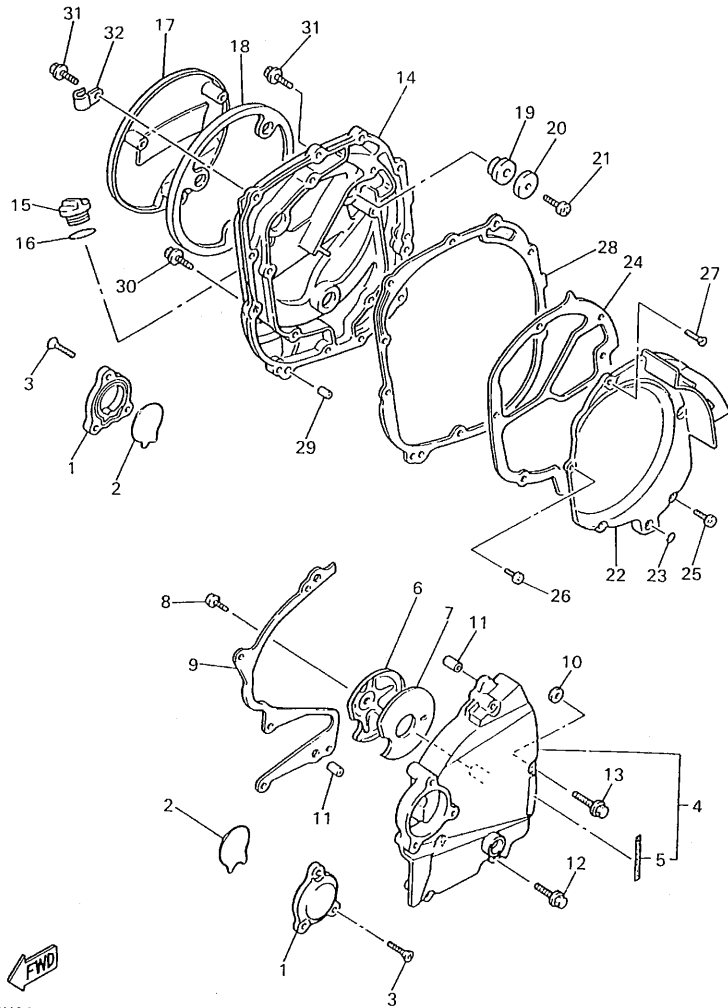
FIG. 14 CRANKCASE COVER 1



48H332-3140

REF. NO.	PART NO.	DESCRIPTION	Q'TY	REMARKS
1	3GM-15416-00	COVER, oil pump	2	
2	1AE-15456-00	GASKET, oil pump cover 1	2	
3	90152-06014	SCREW, countersunk	6	
4	3GM-15410-00	CRANKCASE COVER ASSY 1	1	
5	2GH-15435-00	.EMBLEM	1	
6	3GM-15427-00	COVER, cap 2	1	
7	1AE-15316-00	DAMPER, engine mount 1	1	
8	92011-06010	BOLT, button head	1	
9	4BH-15451-00	GASKET, crankcase cover 1	1	
10	4CR-15467-00	GASKET	1	
11	99510-08012	PIN, dowel	2	
12	95023-06040	BOLT	3	
13	95021-06050	BOLT, flange	2	
14	4BH-15421-00	COVER, crankcase 2	1	
15	3F9-15362-00	PLUG, oil level	1	
16	93210-27778	O-RING	1	
17	3GM-15417-00	COVER, cap	1	
18	3GM-15449-00	RING, rubber	1	
19	4H7-15486-00	GROMMET	3	
20	90209-06096	WASHER	3	
21	98580-06010	SCREW, pan head	3	
22	3GM-15346-00	BREATHER 1	1	
23	93210-09418	O-RING	1	
24	4BH-15463-00	GASKET, carburetor cover 2	1	
25	98580-06020	SCREW, pan head	4	
26	90157-06104	SCREW, pan head	1	
27	90152-06024	SCREW, countersunk	1	
28	4BH-15461-00	GASKET, crankcase cover 2	1	

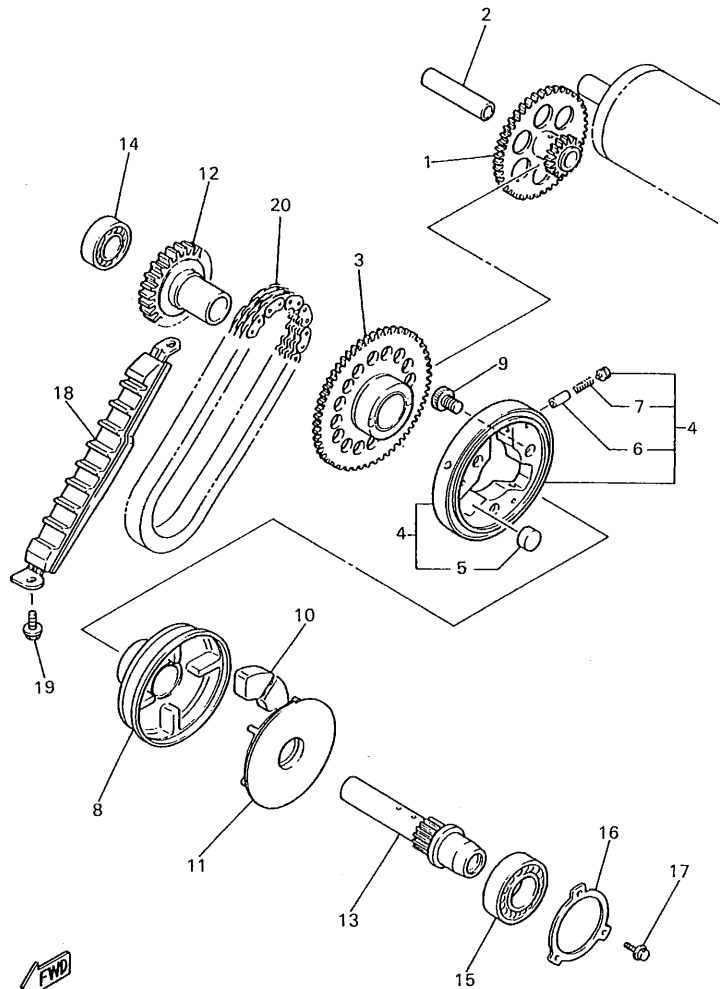
FIG. 14 CRANKCASE COVER 1



REF. NO.	PART NO.	DESCRIPTION	Q'TY	REMARKS
29	99510-08012	PIN, dowel	2	
30	95023-06030	BOLT	2	
31	95023-06020	BOLT	9	
32	90465-06038	CLAMP	1	


4BH332-3140

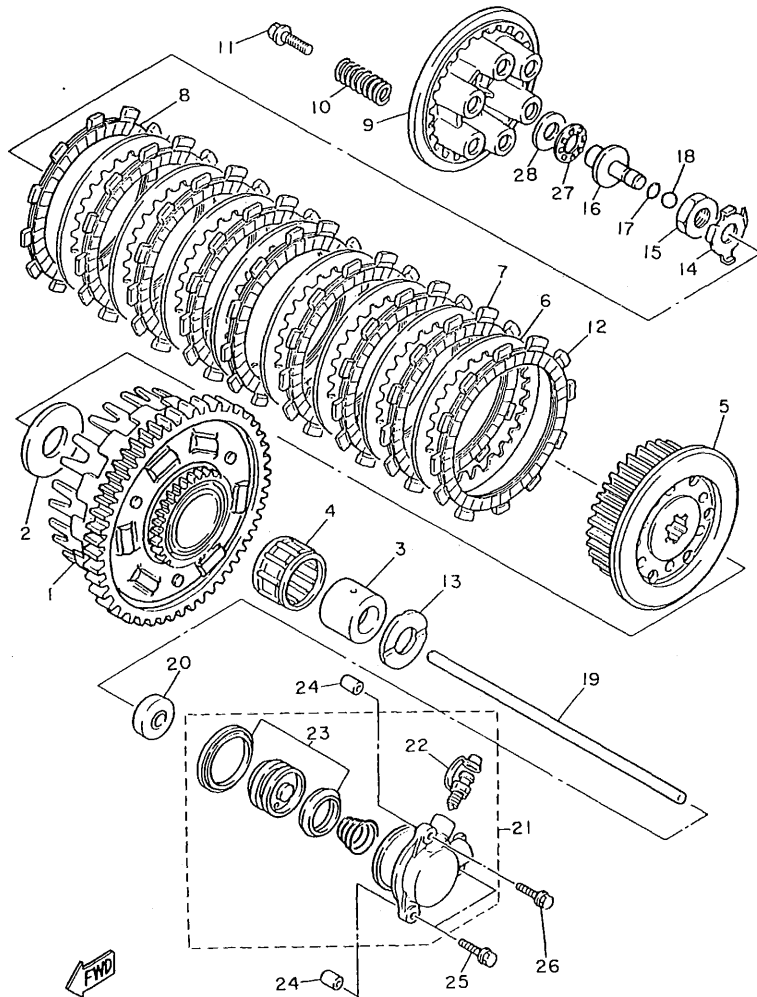
FIG. 15 STARTER



4BH332-3150

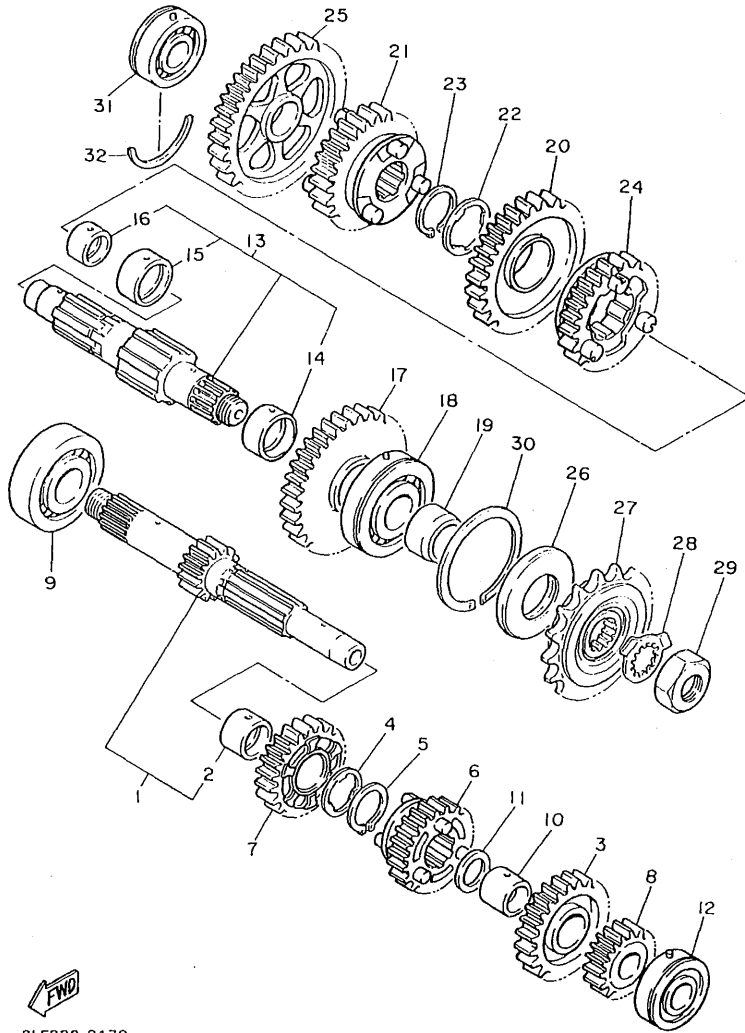
REF. NO.	PART NO.	DESCRIPTION	Q'TY	REMARKS
1	3GM-15512-00	GEAR, idler 1	1	
2	51Y-15521-00	SHAFT 1	1	
3	4BH-15517-00	GEAR, idler 2	1	
4	3GM-15580-00	STARTER CLUTCH OUTER ASSY	1	
5	93615-12088	.PIN, dowel	3	
6	1J7-15583-01	.CAP, starter clutch spring	3	
7	90501-04623	.SPRING, compression	3	
8	3GM-15524-00	WHEEL, starter	1	
9	90110-08177	BOLT, hexagon socket head	3	
10	4H7-16155-01	ABSORBER 1	4	
11	3GM-15689-00	RETAINER	1	
12	3GM-15519-00	SPROCKET, starter 2	1	
13	3GM-15522-00	SHAFT 2	1	
14	93306-20335	BEARING	1	
15	93306-20541	BEARING (B6205)	1	
16	1AE-15381-00	PLATE, bearing cover	1	
17	95026-06016	BOLT, flange	3	
18	4BH-11474-00	GUIDE, upper	1	
19	95816-06014	BOLT, flange	2	
20	4H7-11456-00	CHAIN, primary	1	

FIG. 16 CLUTCH



REF. NO.	PART NO.	DESCRIPTION	Q'TY	REMARKS
1	3GM-16150-01	PRIMARY DRIVEN GEAR COMP.	1	
2	1AE-16154-00	PLATE, thrust 1	1	
3	90560-25270	SPACER	1	
4	93310-340N8	BEARING, cylindrical	1	
5	4BH-16371-01	BOSS, clutch	1	
6	31A-16325-00	PLATE, clutch 2	8	
7	4H7-16321-01	PLATE, friction	7	
8	31A-16321-00	PLATE, friction	1	
9	3GM-16351-00	PLATE, pressure 1	1	
10	90501-230E4	SPRING, compression	6	
11	90159-06123	SCREW, with washer	6	
12	3GM-16321-00	PLATE, friction	1	
13	1AE-16164-00	PLATE, thrust 2	1	
14	90215-20231	WASHER, lock	1	
15	90170-20327	NUT	1	
16	1LJ-16356-00	ROD, push 1	1	
17	93210-06632	O-RING	1	
18	93511-32027	BALL	1	
19	1AE-16357-00	ROD, push 2	1	
20	93109-08061	OIL SEAL	1	
21	1TV-16381-10	PUSH LEVER COMP.	1	
22	36Y-W0048-00	.BRED SCREW KIT	1	
23	26H-W0098-00	.PUSH LEVER SEAL KIT	1	
24	99510-08012	PIN, dowel	2	
25	95026-06030	BOLT, flange	2	
26	95026-06090	BOLT, flange	1	
27	93340-21505	BEARING, thrust	1	
28	90201-150H2	WASHER, plate	1	

FIG. 17 TRANSMISSION

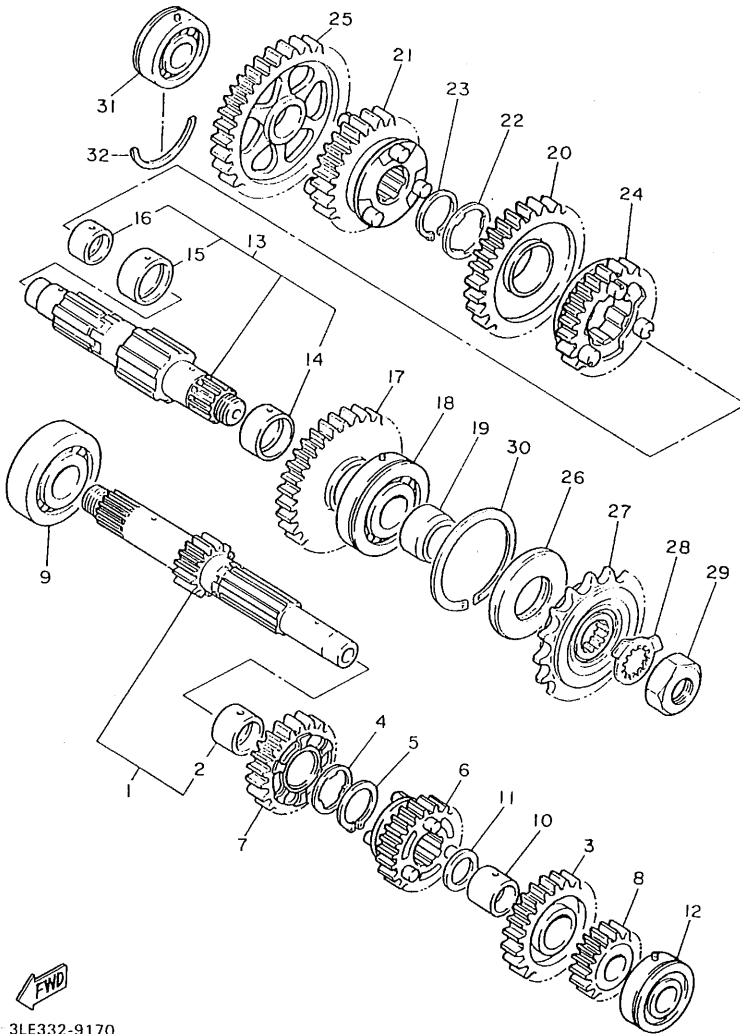


3LE332-9170

REF. NO.	PART NO.	DESCRIPTION	Q'TY	REMARKS
1	2GH-W1741-00	MAIN AXLE ASSY (14T)	1	
2	90387-253M6	.COLLAR	1	
3	2GH-17151-00	GEAR, 5th pinion (27T)	1	
4	90209-22191	WASHER	1	
5	93440-25084	CIRCLIP	1	
6	2GH-17131-00	GEAR, 3rd pinion (21T)	1	
7	2GH-17141-00	GEAR, 4th pinion (23T)	1	
8	2GH-17121-00	GEAR, 2nd pinion (18T)	1	
9	93306-30525	BEARING (B6305)	1	
10	90387-203M7	COLLAR	1	
11	90201-200K3	WASHER, plate	1	
12	93306-20455	BEARING	1	
13	3GM-W1742-00	DRIVE AXLE ASSY	1	
14	90387-271T7	.COLLAR	1	
15	90387-281T8	.COLLAR	1	
16	90387-211T9	.COLLAR	1	
17	3GM-17221-00	GEAR, 2nd wheel (32T)	1	
18	93305-30501	BEARING	1	
19	90387-255V9	COLLAR	1	
20	3GM-17231-00	GEAR, 3rd wheel (29T)	1	
21	3GM-17241-00	GEAR, 4th wheel (27T)	1	
22	90209-25196	WASHER	1	
23	93440-28062	CIRCLIP	1	
24	3GM-17251-00	GEAR, 5th wheel (28T)	1	
25	2GH-17211-01	GEAR, 1st wheel	1	
26	93102-35423	OIL SEAL	1	
27	2GH-17460-11	SPROCKET,drive 17T (2GH1746170)	1	
28	90215-21022	WASHER, lock	1	

C11

FIG. 17 TRANSMISSION

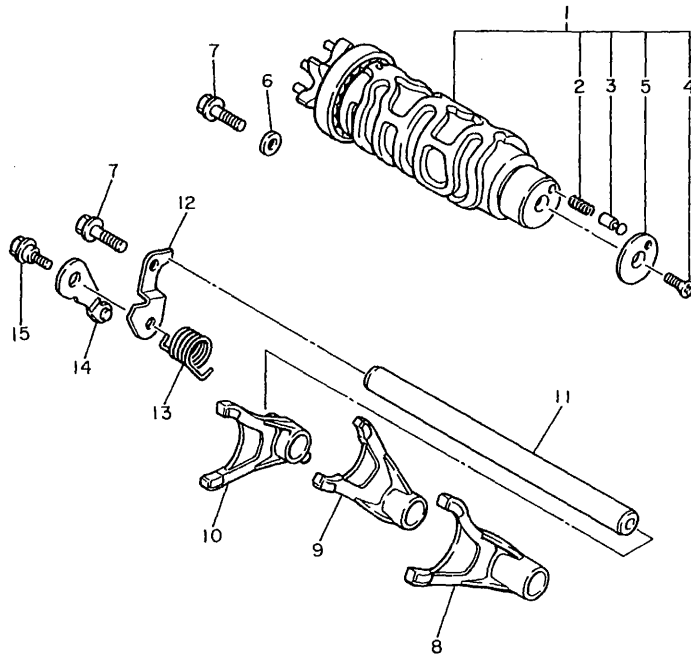


3LE332-9170

REF. NO.	PART NO.	DESCRIPTION	Q'TY	REMARKS
29	90179-18020	NUT	1	
30	278-17424-01	CIRCLIP 1	1	
31	93306-20455	BEARING	1	
32	93440-45144	CIRCLIP	1	

C12

FIG. 18 SHIFT CAM • FORK

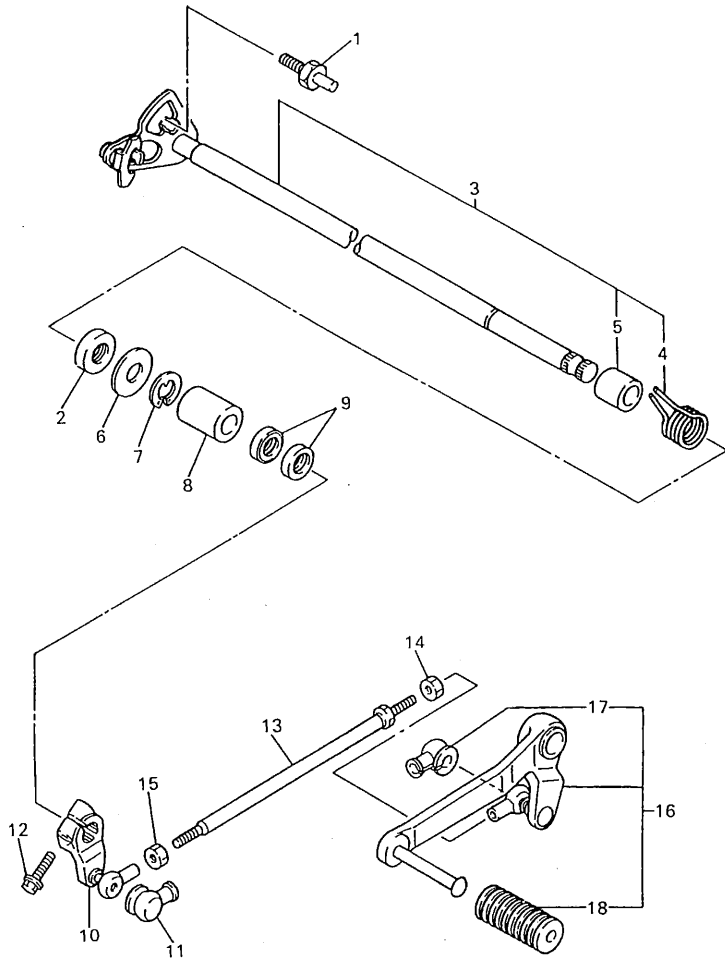


REF. NO.	PART NO.	DESCRIPTION	Q'TY	REMARKS
1	4BH-18540-00	SHIFT CAM ASSY	1	
2	90501-06022	.SPRING, compression	1	
3	278-18542-00	.POINT, neutral	1	
4	98701-05012	.SCREW, flat head	1	
5	278-18566-00	.PLATE, side 2	1	
6	90201-06643	WASHER, plate	1	
7	95811-06016	BOLT, flange	2	
8	2GH-18511-00	FORK, shift 1	1	
9	2GH-18512-00	FORK, shift 2	1	
10	2GH-18513-00	FORK, shift 3	1	
11	4BH-18531-00	BAR, shift fork guide 1	1	
12	1AE-18536-00	STOPPER, shift bar	1	
13	90508-26681	SPRING, torsion	1	
14	36Y-18140-00	STOPPER LEVER ASSY	1	
15	90109-063F8	BOLT	1	



1FN310-5180

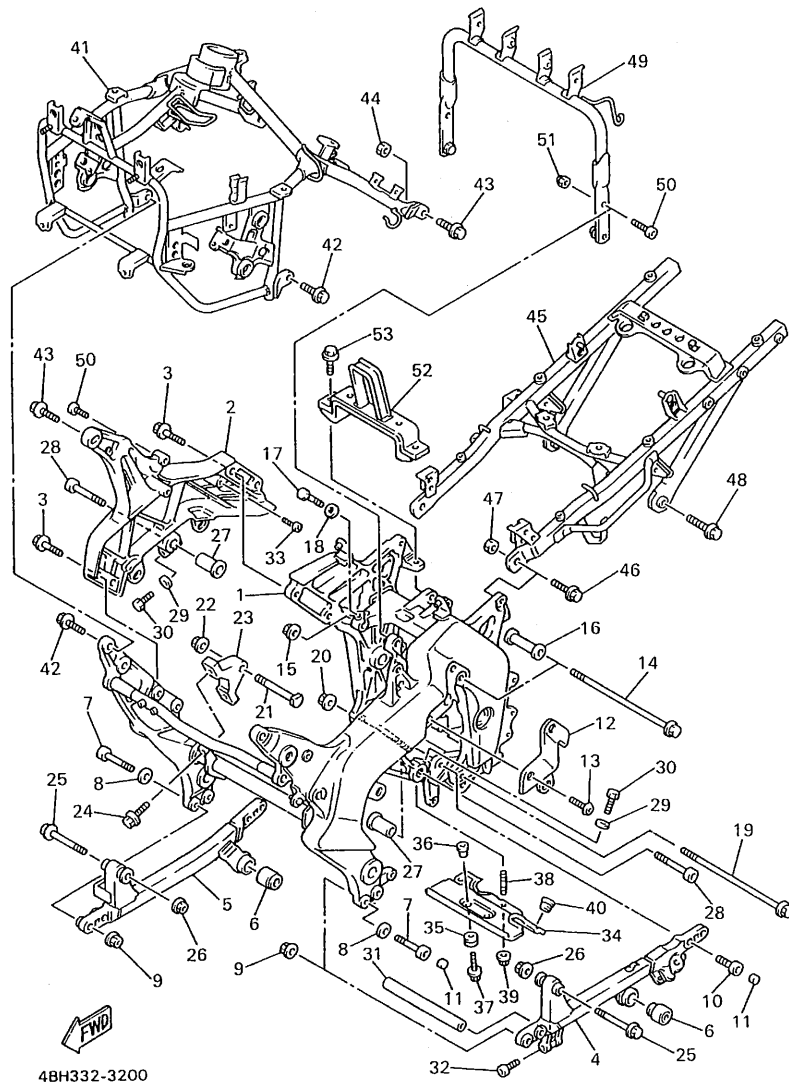
FIG. 19 SHIFT SHAFT



REF. NO.	PART NO.	DESCRIPTION	Q'TY	REMARKS
1	4G0-18127-00	STOPPER, screw	1	
2	93102-12321	OIL SEAL	1	
3	1AE-18101-01	SHIFT SHAFT ASSY	1	
4	90508-32682	.SPRING, torsion	1	
5	90387-114K8	.COLLAR	1	
6	90201-12575	WASHER, plate	1	
7	99006-10600	CIRCLIP	1	
8	90560-12191	SPACER	1	
9	93109-12053	OIL SEAL (SDO 12/18/4-1)	2	
10	4BH-18112-00	ARM, shift	1	
11	2H9-18154-00	COVER, dust	1	
12	95826-06020	BOLT, flange	1	
13	2H9-18115-00	ROD, shift	1	
14	90170-06228	NUT(COUNTER CLOCKWISE)	1	
15	95380-06700	NUT	1	
16	4BH-18110-00	SHIFT PEDAL ASSY	1	
17	2H9-18154-00	.COVER, dust	1	
18	132-18113-01	.COVER, shift pedal	1	


4BH332-3190

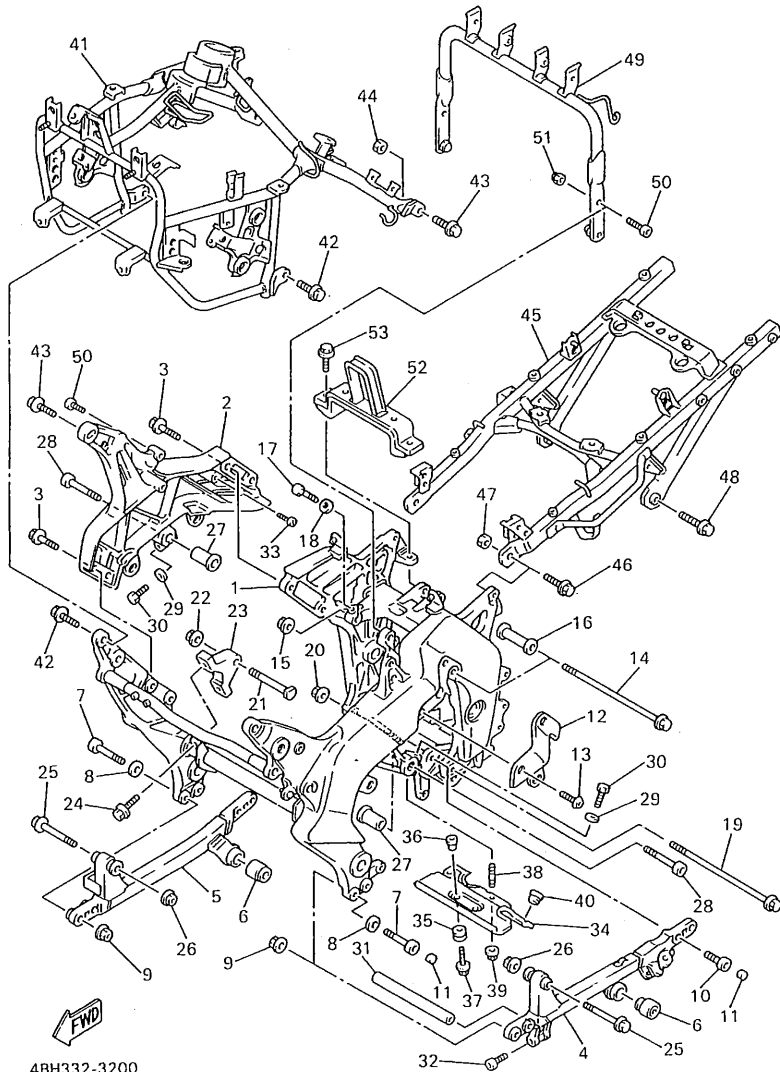
FIG. 20 FRAME



4BH332-3200

REF. NO.	PART NO.	DESCRIPTION	Q'TY	REMARKS
1	4BH-21110-10-P0	FRAME COMP.	1	LIGHT YELLOWISH GRAY 1
2	4BH-21102-00-P1	SIDE MEMBER SUB-ASSY	1	LIGHT YELLOWISH GRAY 1
3	90105-10678	BOLT, washer based	4	
4	4BH-21140-00-35	DOWN TUBE COMP.	1	SILVER
5	4BH-21150-00-35	DOWN TUBE COMP.2	1	SILVER
6	4FU-27424-00	DAMPER, footrest 2	2	
7	90110-10218	BOLT, hexagon socket head	4	
8	90201-112R5	WASHER, plate	4	
9	95601-10200	NUT, self-locking	4	
10	90110-10219	BOLT, hexagon socket head	4	
11	90334-08234	PLUG, straight	4	
12	4BH-2117F-00-P1	COVER	1	LIGHT YELLOWISH GRAY 1
13	90149-06302	SCREW	2	
14	90105-10401	BOLT, washer based	1	
15	90179-10590	NUT	1	
16	3TJ-21459-00	SPACER	1	
17	97026-08035	BOLT	1	
18	92990-08200	WASHER, plain	1	
19	90105-10044	BOLT, washer based	1	
20	90179-10247	NUT	1	
21	90105-10451	BOLT, washer based	2	
22	90179-10247	NUT	2	
23	4BH-21315-00	STAY, engine 2	2	
24	95811-10025	BOLT, flange	4	
25	90105-10480	BOLT, washer based	2	
26	90179-10247	NUT	2	
27	90387-115V8	COLLAR	2	
28	91311-10045	BOLT	2	

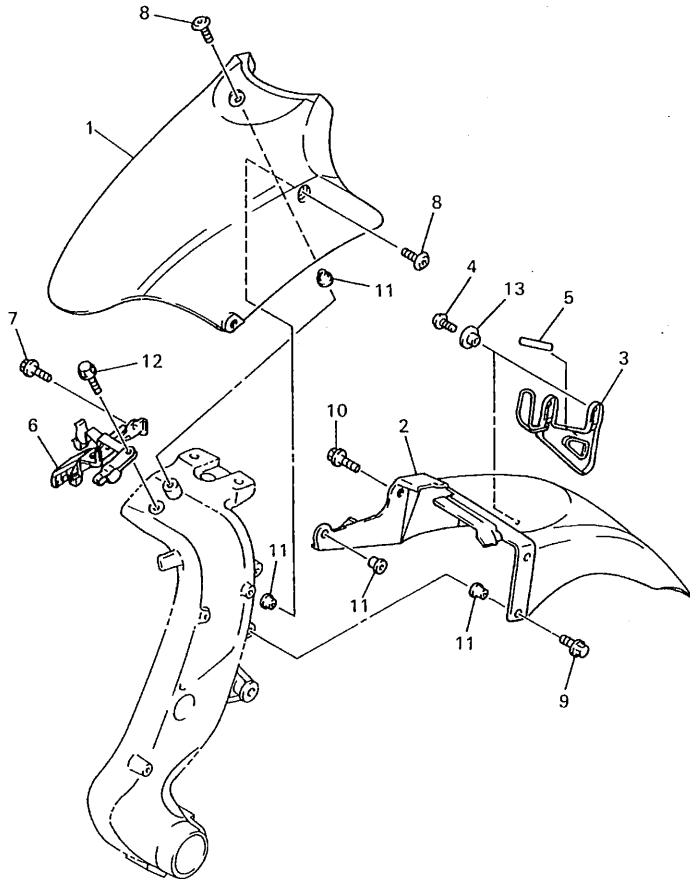
FIG. 20 FRAME



4BH332-3200

REF. NO.	PART NO.	DESCRIPTION	Q'TY	REMARKS
29	92990-08200	WASHER, plain	2	
30	97021-08035	BOLT	2	
31	4BH-21423-00	TUBE, cross	1	
32	91311-08025	BOLT	2	
33	98511-06012	SCREW, pan head	1	
34	4BH-21183-00	PLATE	1	
35	90480-20571	GROMMET	2	
36	90387-083R4	COLLAR	2	
37	90119-08113	BOLT, with washer	2	
38	95622-06312	BOLT, stud	1	
39	95701-06500	NUT, flange	1	
40	90480-13203	GROMMET	2	
* 41	4BH-21101-01	FRONT FRAME COMP.	1	~ 4BH-035020 ~ 4FV-005002
	4BH-21101-10	FRONT FRAME COMP.	1	4BH-035021 ~ 4FV-005003 ~
42	90105-10285	BOLT, washer based	2	
43	95811-10035	BOLT, flange	2	
44	95601-10200	NUT, self-locking	2	
45	4BH-21190-00	REAR FRAME COMP.	1	
46	95811-10035	BOLT, flange	2	
47	95601-10200	NUT, self-locking	2	
48	90105-10433	BOLT, washer based	2	
49	4BH-21348-00	BRACKET, tank fitting	1	
50	91316-08025	BOLT	4	
51	95303-08800	NUT, crown	2	
52	4BH-21345-00	BRACKET, tank fitting	1	
53	95811-08016	BOLT, flange	2	

FIG. 21 FRONT FENDER



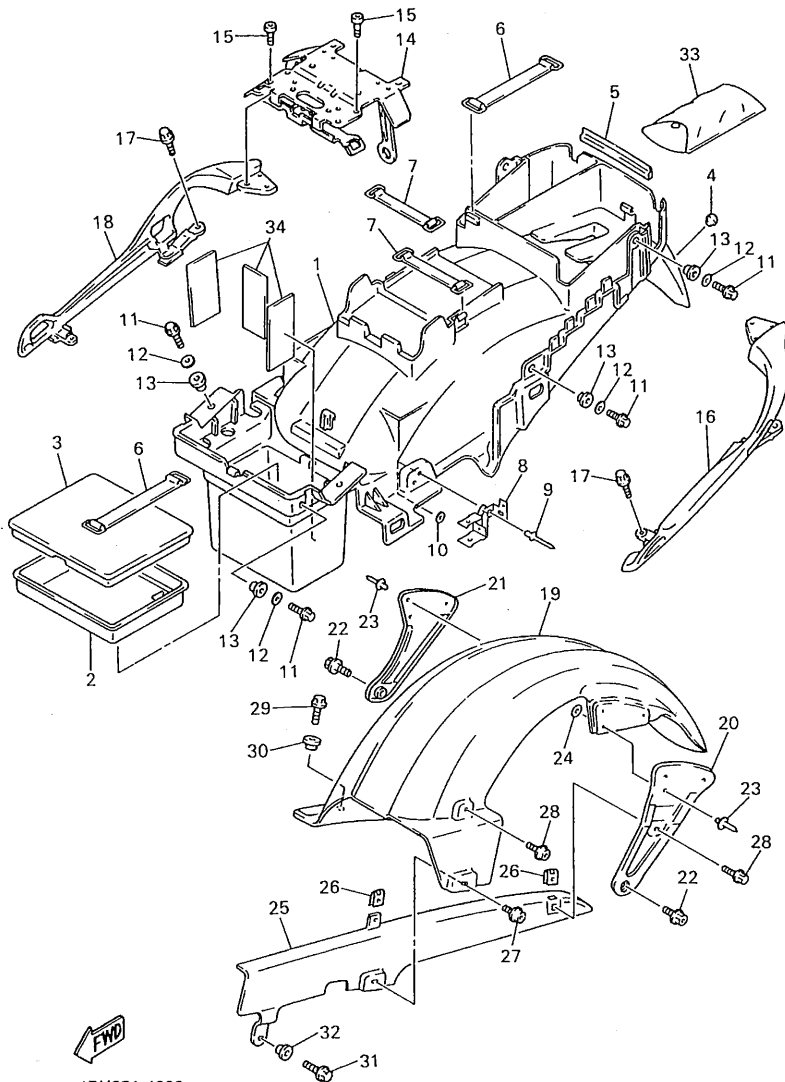
REF. NO.	PART NO.	DESCRIPTION	Q'TY	REMARKS
1	4BH-21511-00-P2	FENDER, front	1	UR DEEP RED COCKTAIL 2 UR DARK PURPLISH BLUE METALLIC 2
	4BH-21511-00-P4	FENDER, front	1	
2	4BH-21556-00	FENDER, front 2	1	
3	4BH-21596-00	HOLDER	1	
4	92016-06012	SCREW	2	
5	46X-21269-00	SEAL	1	
6	4BH-21513-00	STAY, fender 1	1	
7	95816-06012	BOLT, flange	2	
8	90110-06200	BOLT, hexagon socket head	4	
9	90119-06061	BOLT, with washer	2	
10	90119-06108	BOLT, with washer	2	
11	90387-0702E	COLLAR	8	
12	92011-06016	BOLT, button head	1	
13	90387-0702H	COLLAR	2	



4BH351-4210

D3

FIG. 22 REAR FENDER

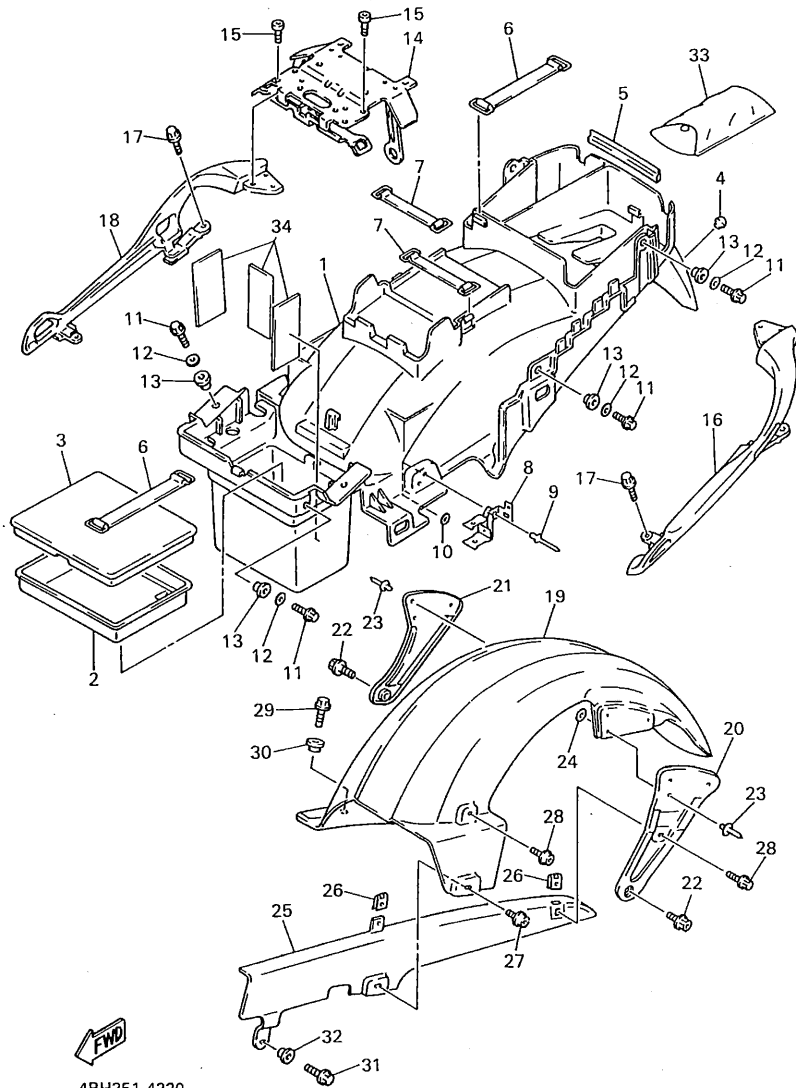


4BH351-4220

REF. NO.	PART NO.	DESCRIPTION	Q'TY	REMARKS
1	4BH-21629-00	GUARD, mud	1	
2	4BH-2384G-00	CASE 1	1	
3	4BH-2384H-00	CASE 2	1	
4	4G0-21639-00	DAMPER 2	1	
5	4BH-2171L-00	MOLE, side cover 1	1	
6	26H-82131-00	BAND, battery	2	
7	2T4-82131-00	BAND, battery	2	
8	4BH-2139A-00	BRACKET, starter switch	1	
9	90267-40105	RIVET, blind	2	
10	90201-044H9	WASHER, plate	2	
11	97011-06016	BOLT	8	
12	92990-06600	WASHER, plate	8	
13	90387-07717	COLLAR	8	
14	4BH-2117E-00	BRACKET, taillight	1	
15	91316-08016	BOLT	4	
16	4BH-21644-00-P2	STAY, rear	1	UR DEEP RED COCKTAIL 2
	4BH-21644-00-P4	STAY, rear	1	UR DARK PURPLISH BLUE METALLIC 2
17	95811-08016	BOLT, flange	4	
18	4BH-21645-00-P2	STAY, rear	1	UR DEEP RED COCKTAIL 2
	4BH-21645-00-P4	STAY, rear	1	UR DARK PURPLISH BLUE METALLIC 2
19	4BH-21650-00	REAR FENDER COMP.	1	
20	4BH-2164F-00	STAY 1	1	
21	4BH-2164G-00	STAY 2	1	
22	90109-085E2	BOLT	2	
23	90267-48162	RIVET, blind	6	
24	90201-04325	WASHER, plate	6	
25	4BH-22311-00	CASE, chain	1	
26	90183-06053	NUT, spring	2	

D4

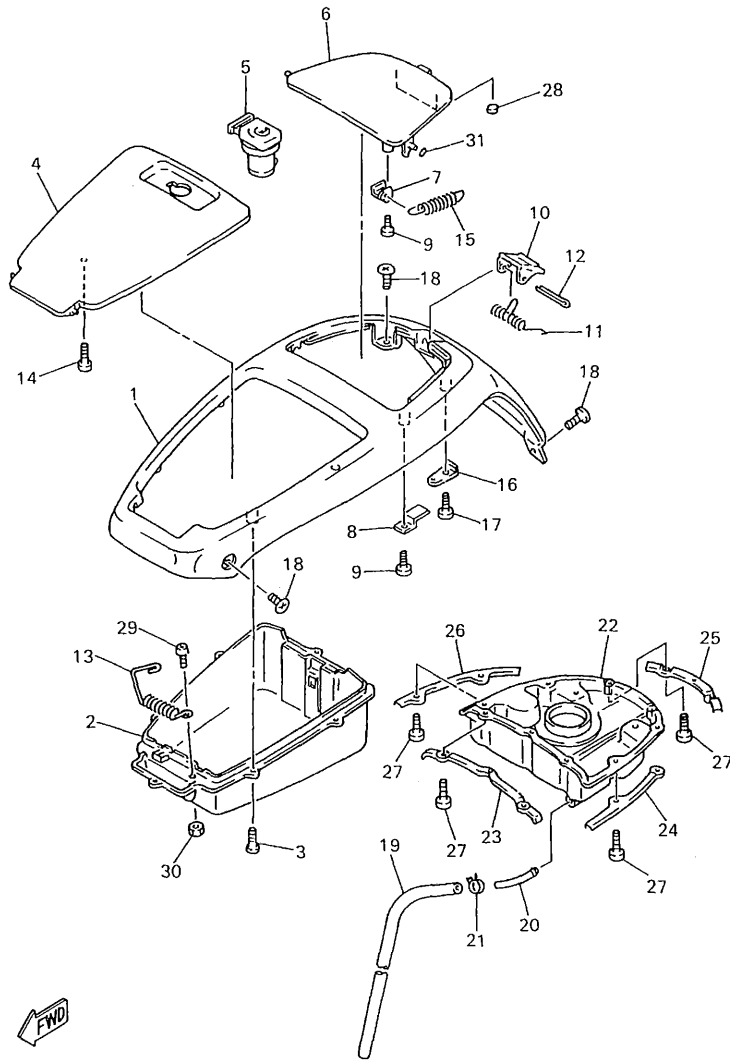
FIG. 22 REAR FENDER



REF. NO.	PART NO.	DESCRIPTION	Q'TY	REMARKS
27	90119-06044	BOLT, with washer	1	
28	90159-06071	SCREW, with washer	2	
29	95826-06020	BOLT, flange	1	
30	90387-062M9	COLLAR	1	
31	95816-06025	BOLT, flange	1	
32	90387-06737	COLLAR	1	
33	4BH-28100-01	TOOL KIT	1	
34	5Y1-82122-00	SEAT, battery	3	

D5

FIG. 23 COVER



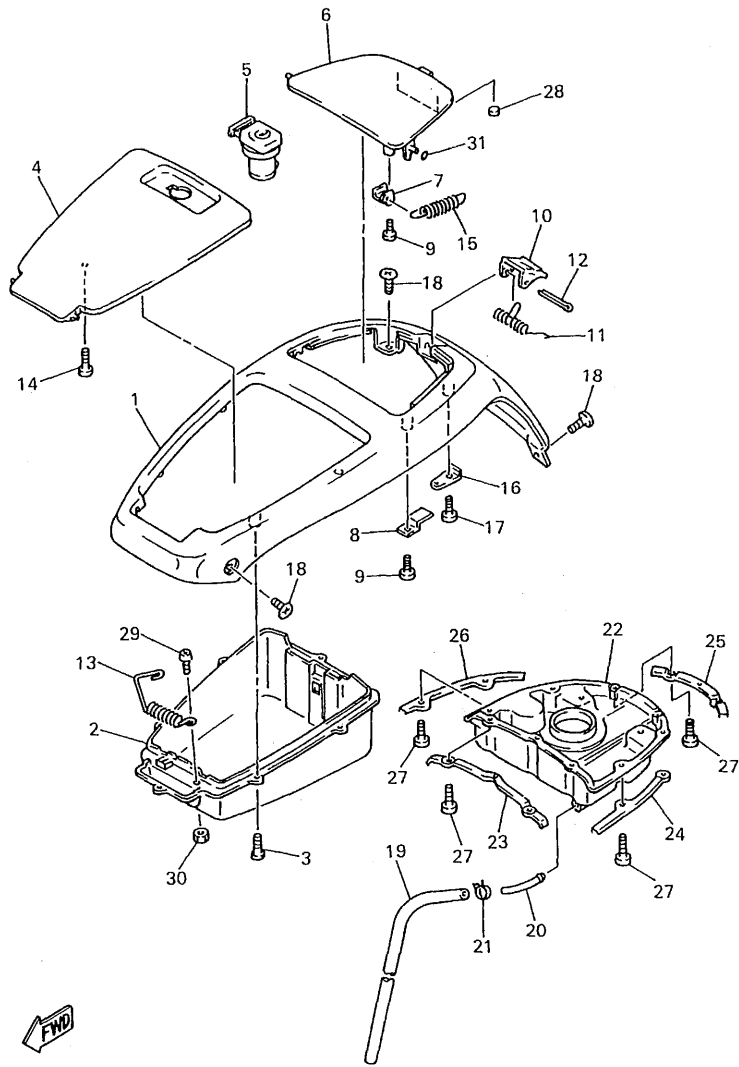
REF. NO.	PART NO.	DESCRIPTION	Q'TY	REMARKS
1	4BH-2170F-00-6M	COVER, top	1	UR STAR SILVER
	4BH-2170F-00-7B	COVER, top	1	UR BLUISH BLACK 2
2	4BH-2177A-00	BOX	1	
3	97706-50010	SCREW, tapping	6	
4	4BH-2177E-00-6M	LID	1	UR STAR SILVER
	4BH-2177E-00-7B	LID	1	UR BLUISH BLACK 2
5	4BH-21708-01	SIDE COVER LOCK ASSY	1	
6	4BH-2177J-00-6M	LID 2	1	UR STAR SILVER
	4BH-2177J-00-7B	LID 2	1	UR BLUISH BLACK 2
7	4BH-2175V-00	BRACKET 3	1	
8	4BH-2178L-00	GUIDE 1	2	
9	97706-50508	SCREW, tapping	3	
10	4BH-28379-00	HOOK	1	
11	90508-104A1	SPRING, torsion	1	
12	91401-30045	PIN, cotter	1	
13	90508-203A6	SPRING, torsion	1	
14	97706-50010	SCREW, tapping	1	
15	90506-07355	SPRING, tension	1	
16	4BH-2175W-00	BRACKET 4	1	
17	97706-50508	SCREW, tapping	1	
18	90154-05013	SCREW, binding	6	
19	90445-115H2	HOSE	1	
20	4BH-24376-00	PIPE, joint 1	1	
21	90467-11028	CLIP	1	
22	4BH-2414A-00	COVER, filler	1	
23	4BH-2172K-00	BRACKET 1	1	
24	4BH-2172L-00	BRACKET 2	1	
25	4BH-2172M-00	BRACKET 3	1	



4BH351-4230

D6

FIG. 23 COVER

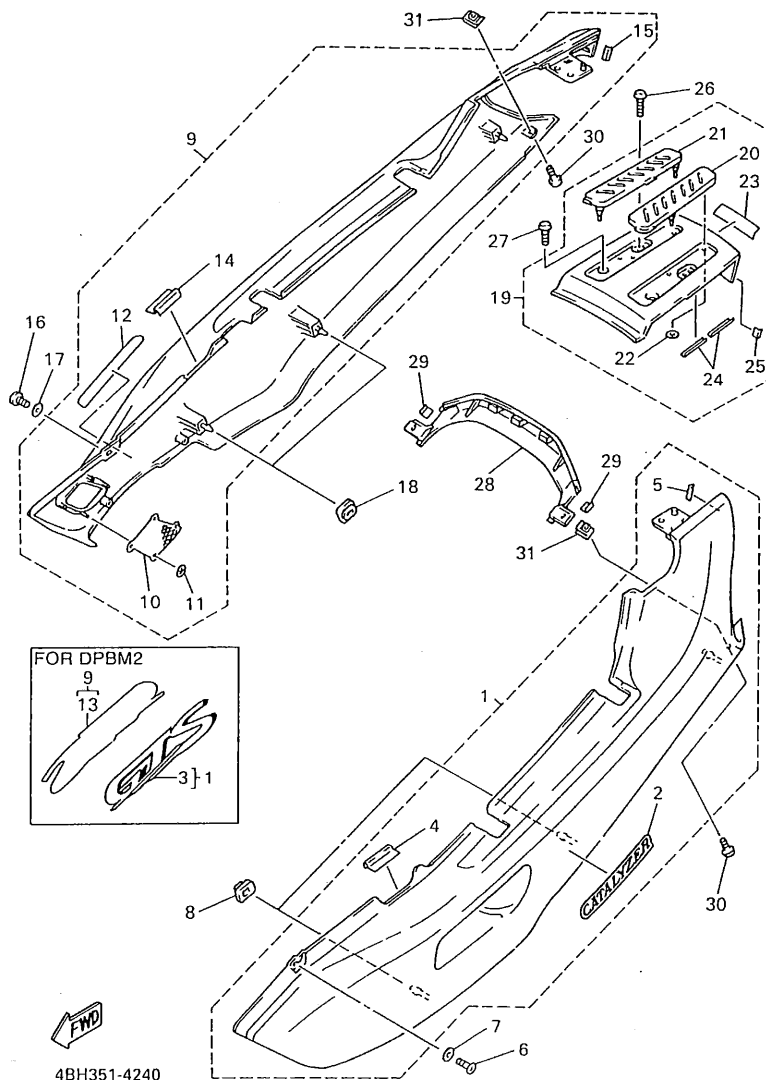


4BH351-4230

REF. NO.	PART NO.	DESCRIPTION	Q'TY	REMARKS
26	4BH-2172N-00	BRACKET 3	1	
27	97706-50508	SCREW, tapping	8	
28	4BH-21746-00	DAMPER	4	
29	98906-05012	SCREW, bind	1	
30	95380-05600	NUT	1	
31	93210-48364	O-RING	1	

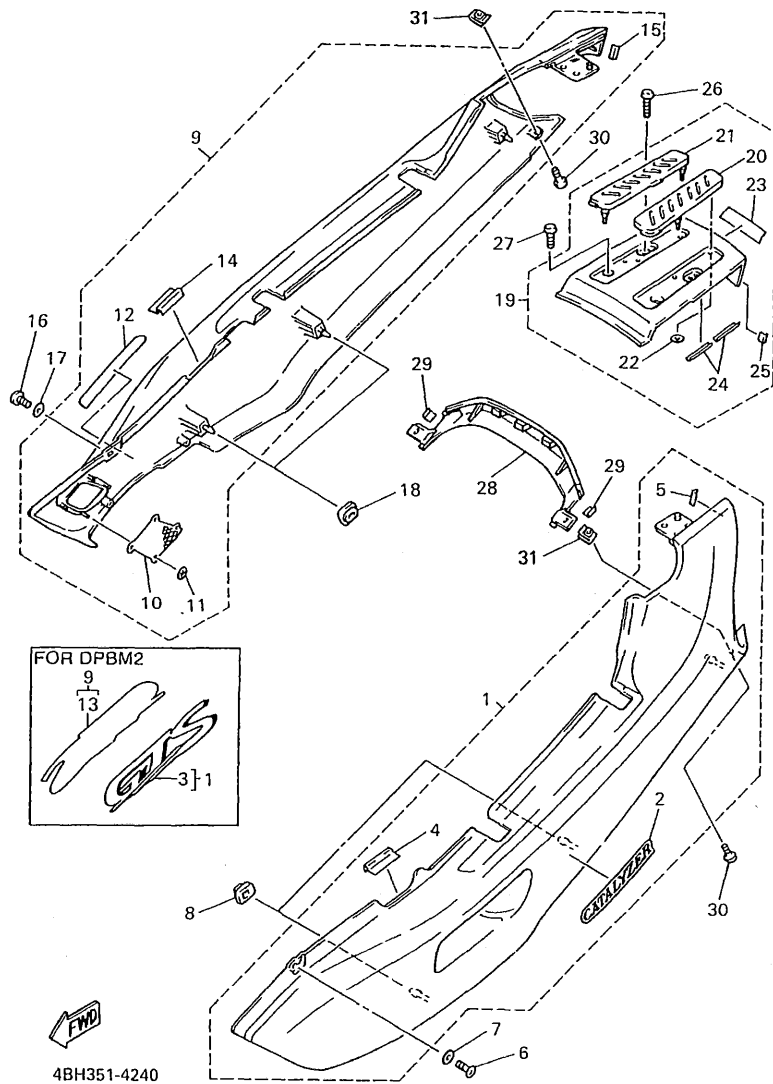
D7

FIG. 24 SIDE COVER



REF. NO.	PART NO.	DESCRIPTION	Q'TY	REMARKS
1	4BH-Y2171-40-P2	COVER, side 1	1	UR DEEP RED COCKTAIL 2
	4BH-Y2171-80-P4	COVER, side 1	1	
2	4BH-21781-40	.EMBLEM 1	1	UR DARK PURPLISH BLUE METALLIC 2 UR FOR DRC2
3	4BH-21737-00	.EMBLEM	1	UR FOR DPBM2
4	1JK-21268-00	.SEAL	1	
5	3TU-2178A-00	.LABEL	1	
6	98906-06012	SCREW, bind	1	
7	90202-06113	WASHER, plate	1	
8	90480-01510	GROMMET	2	
9	4BH-Y2172-40-P2	COVER, side 2	1	UR DEEP RED COCKTAIL 2 UR DARK PURPLISH BLUE METALLIC 2
	4BH-Y2172-80-P4	COVER, side 2	1	
10	4BH-2172A-00	.PANEL 1	1	
11	90183-03010	.NUT, spring	4	
12	4BH-21781-40	.EMBLEM 1	1	UR FOR DRC2
13	4BH-21737-00	.EMBLEM	1	UR FOR DPBM2
14	1JK-21268-00	.SEAL	1	
15	3TU-2178A-00	.LABEL	1	
16	98906-06012	SCREW, bind	1	
17	90202-06113	WASHER, plate	1	
18	90480-01510	GROMMET	2	
19	4BH-Y2165-00-P2	COVER, rear fender	1	UR DEEP RED COCKTAIL 2 UR DARK PURPLISH BLUE METALLIC 2
	4BH-Y2165-50-P4	COVER, rear fender	1	
20	4BH-21639-00	.DAMPER 2	1	
21	4BH-21649-00	.DAMPER	1	
22	90183-04005	.NUT, spring	2	
23	99236-00080	.EMBLEM, yamaha	1	UR FOR DRC2
	99237-00080	.EMBLEM, yamaha	1	UR FOR DPBM2
24	46X-21269-00	.SEAL	4	

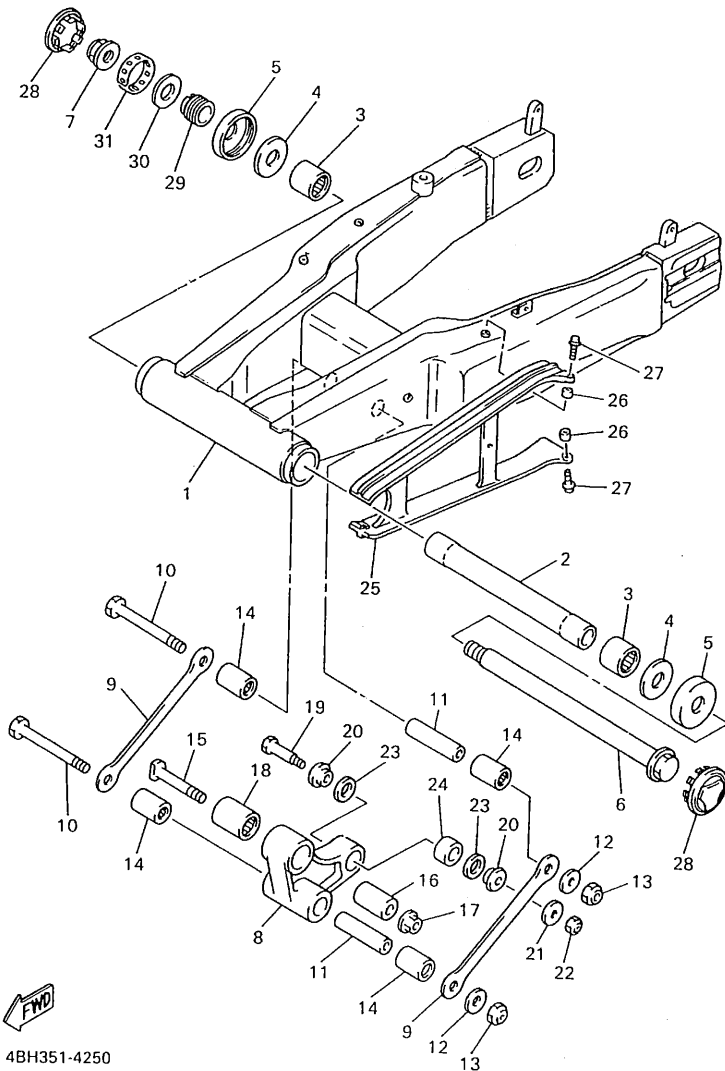
FIG. 24 SIDE COVER



REF. NO.	PART NO.	DESCRIPTION	Q'TY	REMARKS
25	3TU-2178A-00	.LABEL	2	
26	98903-06012	SCREW, bind	2	
27	98980-06016	SCREW, bind	2	
28	4BH-2172X-00-P2	COVER, taillight	1	UR DEEP RED COCKTAIL 2
	4BH-2172X-00-P4	COVER, taillight	1	UR DARK PURPLISH BLUE METALLIC 2
29	3MA-27491-00	PROTECTOR	2	
30	98906-06012	SCREW	2	
31	90183-06023	NUT, spring	2	

D9

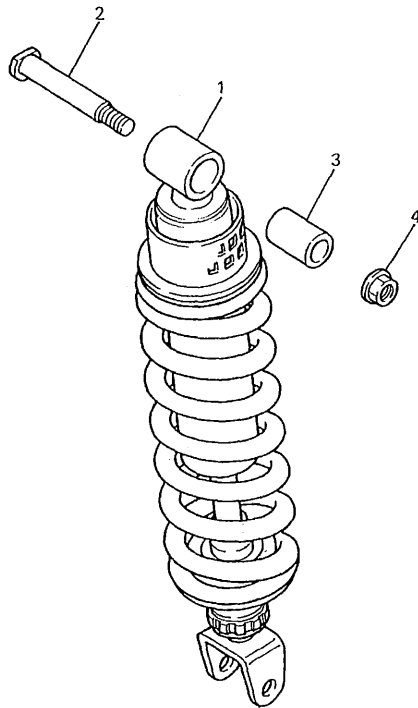
FIG. 25 REAR ARM



REF. NO.	PART NO.	DESCRIPTION	Q'TY	REMARKS
1	4BH-22110-00-P1	REAR ARM COMP.	1	LIGHT YELLOWISH GRAY 1
2	4BH-22184-00	BUSH	1	
3	93317-52865	BEARING, cylindrical	2	
4	4BH-22127-00	SHIM	2	
5	4BH-22128-00	COVER, thrust 1	2	
6	4BH-22141-00	SHAFT, pivot	1	
7	90185-20160	NUT, self-locking	1	
8	4BH-2217A-00	ARM, relay	1	
9	4BH-2217M-00	ARM 1	2	
10	90101-12749	BOLT	2	
11	90387-126Y1	COLLAR	2	
12	90201-126A7	WASHER, plate	2	
13	90185-12119	NUT, self-locking	2	
14	93317-41761	BEARING, cylindrical	4	
15	90109-101F1	BOLT	1	
16	90387-100T8	COLLAR	1	
17	95601-10200	NUT, self-locking	1	
18	93317-42060	BEARING, cylindrical	1	
19	90101-10659	BOLT	1	
20	90387-124W2	COLLAR	2	
21	90201-10437	WASHER, plate	1	
22	90185-10060	NUT, self-locking	1	
23	93101-16131	OIL SEAL	2	
24	93399-99919	BEARING	1	
25	4BH-22151-00	SEAL, guard	1	
26	90387-06704	COLLAR	2	
27	90159-06108	SCREW, with washer	2	
28	4BH-2219X-00	COVER	2	
29	4BH-23452-00	BOLT, fitting 2	1	
30	90201-225R0	WASHER, plate	1	
31	4BH-22819-00	SLEEVE	1	

D10

FIG. 26 REAR SUSPENSION



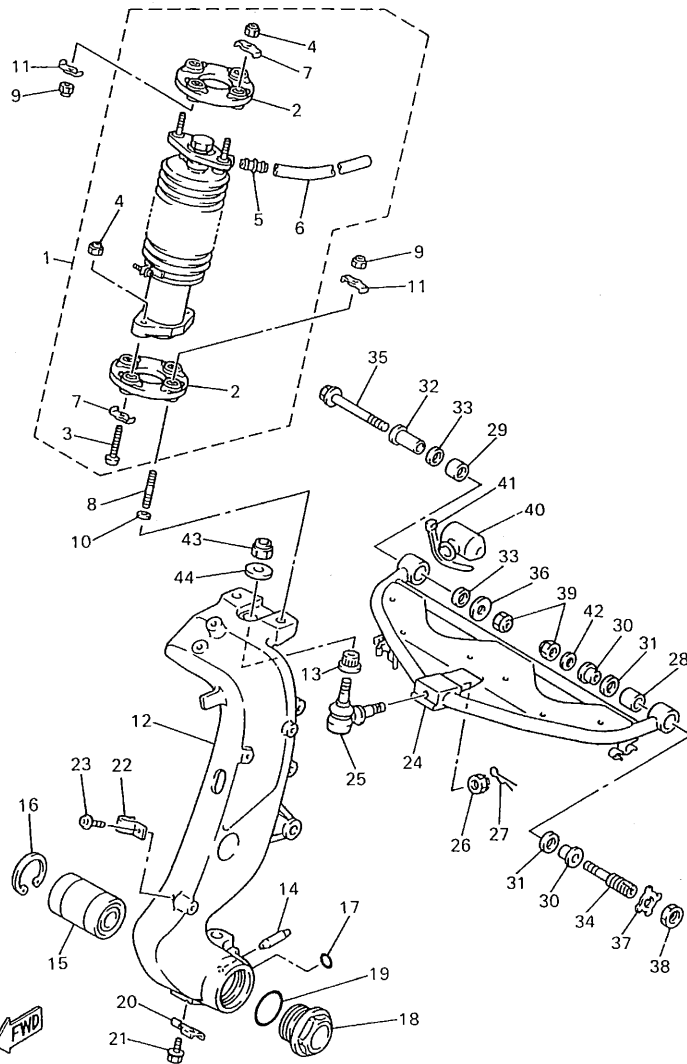
REF. NO.	PART NO.	DESCRIPTION	Q'TY	REMARKS
1	48H-22210-01	SHOCK ABSORBER ASSY, rear	1	
2	90109-101F1	BOLT	1	
3	90387-102T0	COLLAR	1	
4	95601-10200	NUT, self-locking	1	



4BH332-3260

D11

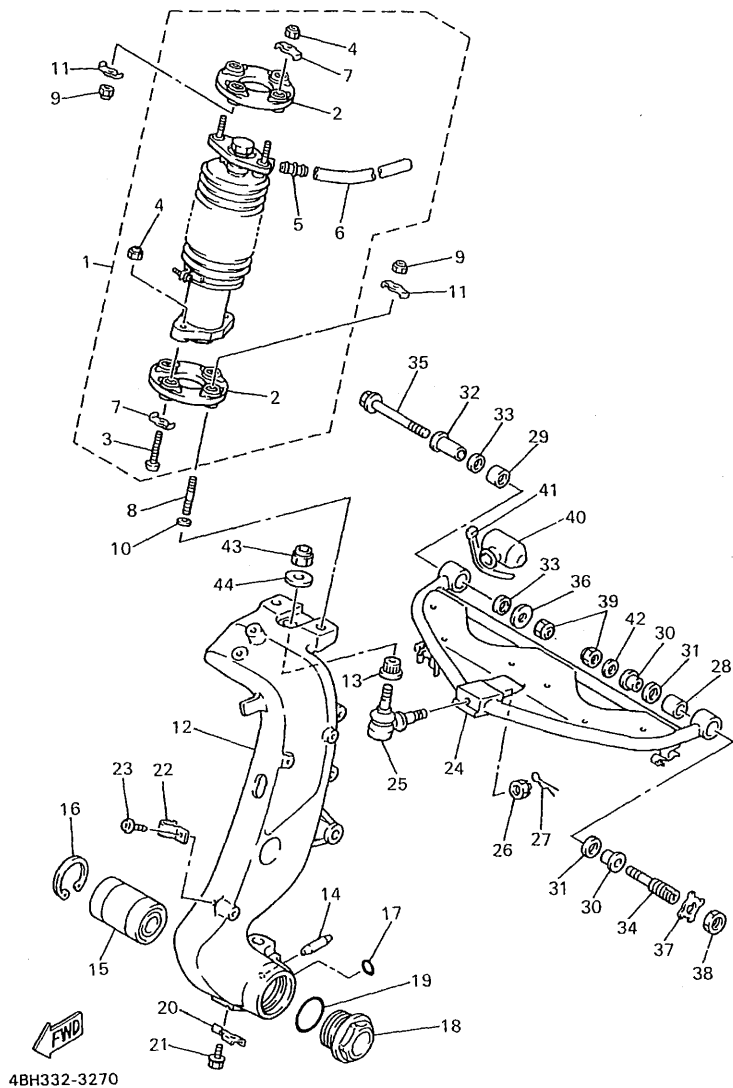
FIG. 27 STEERING



4BH332-3270

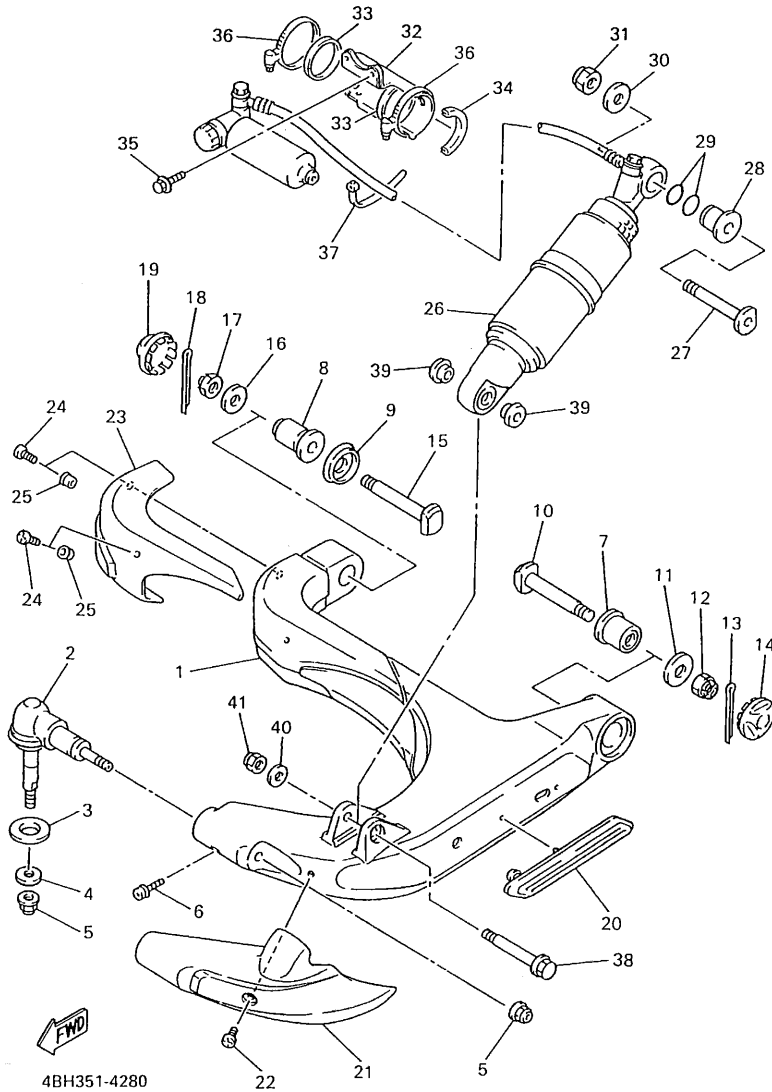
REF. NO.	PART NO.	DESCRIPTION	Q'TY	REMARKS
1	4BH-23530-00	TUBE STEERING COMP.	1	
2	4BH-2353A-00	.JOINT, ring	2	
3	90109-087F9	.BOLT	2	
4	95616-08100	.NUT, u	4	
5	4BH-24119-00	.TUBE, connecting	1	
6	4BH-2384R-00	.HOSE	1	
7	4BH-23392-00	.WASHER, special	4	
8	95611-08630	BOLT, stud	2	
9	95616-08100	NUT, u	4	
10	90201-08085	WASHER, plate	2	
11	4BH-23392-00	WASHER, special	4	
12	4BH-23512-10-P1	ARM, knuckle 1	1	LIGHT YELLOWISH GRAY 1
13	4BH-23526-00	BUSH	1	
14	91609-40032	PIN, spring	1	
15	93307-20602	BEARING	1	
16	93420-62070	CIRCLIP	1	
17	93210-18397	O-RING	1	
18	4BH-23741-00	CAP 1	1	
19	93210-59748	O-RING	1	
20	4BH-2332U-00	PLATE, support	1	
21	95811-06010	BOLT, flange	1	
22	4BH-23317-00	HOLDER, cable	1	
23	92011-06012	BOLT, button head	1	
24	4BH-23540-00-33	FRONT UPPER ARM COMP. (LEFT)	1	YAMAHA BLACK
25	4BH-23549-00	BALL JOINT 1	1	
26	95611-10200	NUT, self-locking	1	
27	90468-20100	CLIP	1	
28	93399-99901	BEARING	1	

FIG. 27 STEERING



REF. NO.	PART NO.	DESCRIPTION	Q'TY	REMARKS
29	93317-31701	BEARING, cylindrical	1	
30	90387-1200E	COLLAR	2	
31	93104-15101	OIL SEAL	2	
32	4BH-23364-00	COLLAR 2	1	
33	93109-17048	OIL SEAL (SDO 17-24-4)	2	
34	4BH-23451-00	BOLT, fitting 1	1	
35	90105-10451	BOLT, washer based	1	
36	90201-105A2	WASHER, plate	1	
37	4BH-23418-00	WASHER, special	1	
38	90170-18412	NUT	1	
39	95611-10100	NUT, u	2	
40	4BH-2384L-00	COVER, dust	1	
41	12R-82591-00	BAND	1	
42	90201-101J1	WASHER, plate	1	
43	90185-12119	NUT, self-locking	1	
44	90201-120A5	WASHER, plate	1	

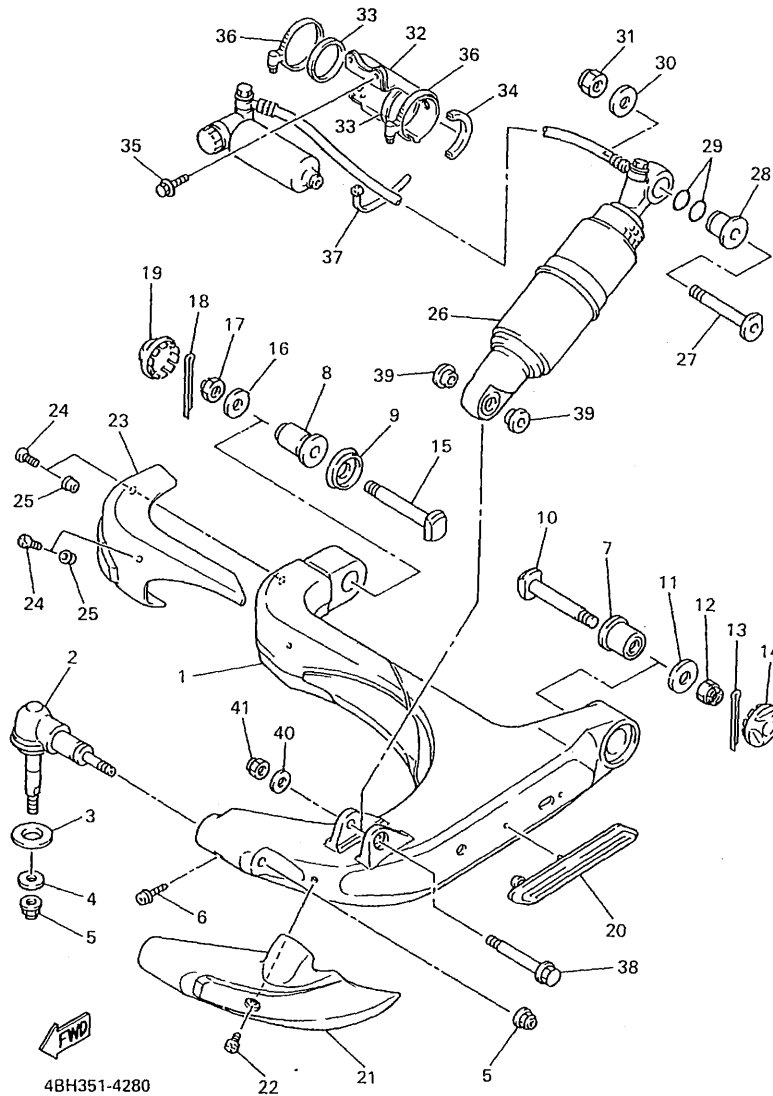
FIG. 28 STEERING 2



4BH351-4280

REF. NO.	PART NO.	DESCRIPTION	Q'TY	REMARKS
1	4BH-23570-02-P1	FRONT LOWER ARM COMP. (LEFT)	1	LIGHT YELLOWISH GRAY 1
2	4BH-23579-00	BALL JOINT 2	1	
3	4BH-23165-00	WASHER, felt	1	
4	90201-120A5	WASHER, plate	1	
5	95611-12200	NUT, self-locking	2	
6	90105-06697	BOLT, washer based	1	
7	4BH-23873-00	BEARING, steering upper	1	
8	4BH-23875-00	PLANE BEARING, steering lower	1	
9	4BH-23123-00	COVER, lower 1	1	
10	4BH-23366-00	BOLT, upper	1	
11	90201-182R4	WASHER, plate	1	
12	95301-18900	NUT	1	
13	91401-40040	PIN, cotter	1	
14	4BH-23338-00	CAP, side 1	1	
15	4BH-23367-00	BOLT, lower	1	
16	90201-177M0	WASHER, plate	1	
17	95301-16900	NUT, slotted	1	
18	91401-30040	PIN, cotter	1	
19	4BH-23339-00	CAP, side 2	1	
20	4BH-23815-00	PAD, steering	1	
21	4BH-23132-00	COVER, outer 2	1	
22	90150-06031	SCREW, round head	1	
23	4BH-23133-00	COVER, lower 2	1	
24	90154-05002	SCREW, binding	2	
25	90179-05523	NUT	2	
26	4BH-23350-01-93	SHOCK ABSORBER ASSY	1	CHROME MEKKI
27	4BH-23346-00	BOLT 1	1	
28	4BH-23113-00	COLLAR	1	

FIG. 28 STEERING 2

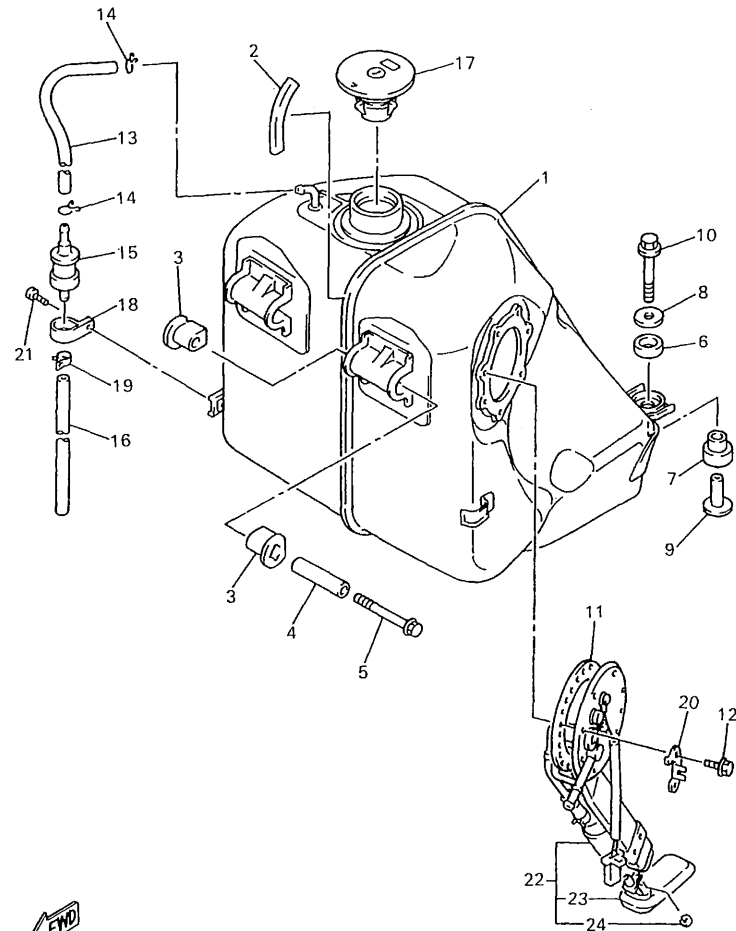


4BH351-4280

REF. NO.	PART NO.	DESCRIPTION	Q'TY	REMARKS
29	93210-20027	O-RING	2	
30	90201-161J3	WASHER, plate	1	
31	95611-16100	NUT, u	1	
32	4BH-22276-00	HOLDER, sub-tank 2	1	
33	4BH-22261-01	DAMPER, sub-tank	2	
34	3EN-28345-50	MOLE 1	1	
35	91001-06016	BOLT, flange	2	
36	90460-50079	CLAMP, hose	2	
37	90464-12089	CLAMP	1	
38	90109-106F7	BOLT	1	
39	90387-120Y8	COLLAR	2	
40	90201-10437	WASHER, plate	1	
41	95611-10100	NUT, u	1	

D15

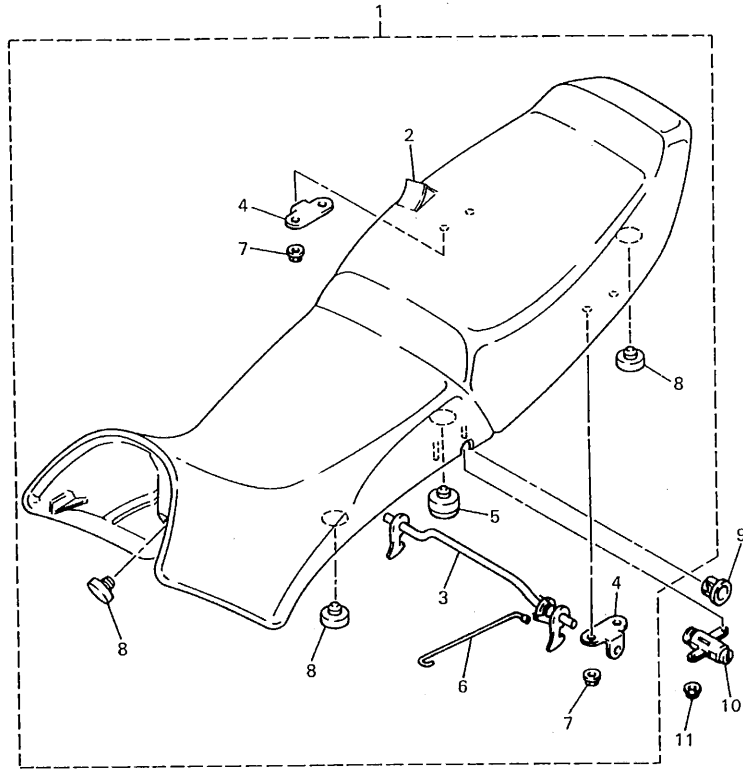
FIG. 29 FUEL TANK



4BH332-3290

REF. NO.	PART NO.	DESCRIPTION	Q'TY	REMARKS
1	4BH-24110-00	FUEL TANK COMP.	1	
2	3VD-24188-00	MOLD, fuel tank	1	
3	4BH-24181-00	DAMPER, locating 1	4	
4	90387-06380	COLLAR	2	
5	95811-06080	BOLT, flange	2	
6	4BH-24183-00	DAMPER, locating 3	2	
7	90480-10570	GROMMET	2	
8	90201-08612	WASHER, plate	2	
9	90387-0801N	COLLAR	2	
10	95811-08045	BOLT, flange	2	
11	4BH-2414G-00	SEAL	1	
12	90119-05071	BOLT, with washer	7	
13	90445-11735	HOSE	1	
14	90467-09006	CLIP	2	
15	25H-24180-00	ROLL OVER VALVE ASSY	1	
16	90445-105G5	HOSE	1	
17	3HE-24602-00	CAP ASSY	1	
18	90461-15100	CLAMP	1	
19	90467-10038	CLIP	1	
20	4BH-24386-00	CLAMP, fuel pipe 1	1	
21	98580-05010	SCREW, pan head	1	
22	4BH-13907-00	FUEL PUMP COMP.	1	
23	4BH-13939-00	.FILTER-	1	
24	4BH-13995-00	.WASHER	1	

FIG. 30 SEAT

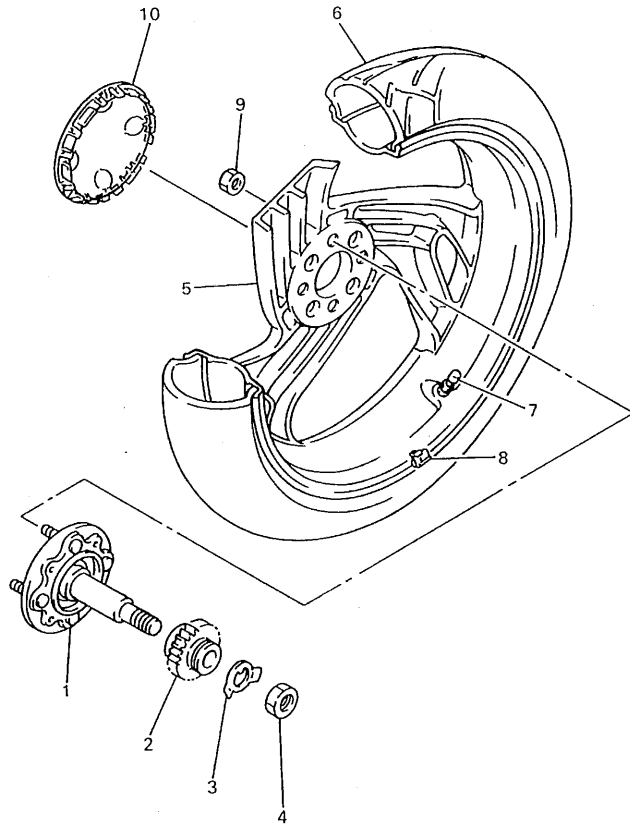


REF. NO.	PART NO.	DESCRIPTION	Q'TY	REMARKS
1	4BH-24730-00	DOUBLE SEAT ASSY	1	UR GRAY FOR DRC2
	4BH-24730-10	DOUBLE SEAT ASSY	1	UR BLACK FOR DPBM2
2	4BH-2470F-00	.COVER, seat	1	UR GRAY FOR DRC2
	4BH-2470F-10	.COVER, seat	1	UR BLACK FOR DPBM2
3	4BH-24776-00	.LEVER, seat	1	
4	4BH-24718-00	.BRACKET, seat	2	
5	1T4-24741-00	.PAD, seat	2	
6	4BH-2478F-00	.ROD, connecting	1	
7	95701-06500	.NUT, flange	4	
8	22W-24741-00	.PAD, seat	5	
9	51Y-24796-00	COVER	1	
10	4BH-24705-00	SEAT LOCK ASSY	1	
11	95701-05500	NUT, flange	2	



4BH332-3300

FIG. 31 FRONT WHEEL

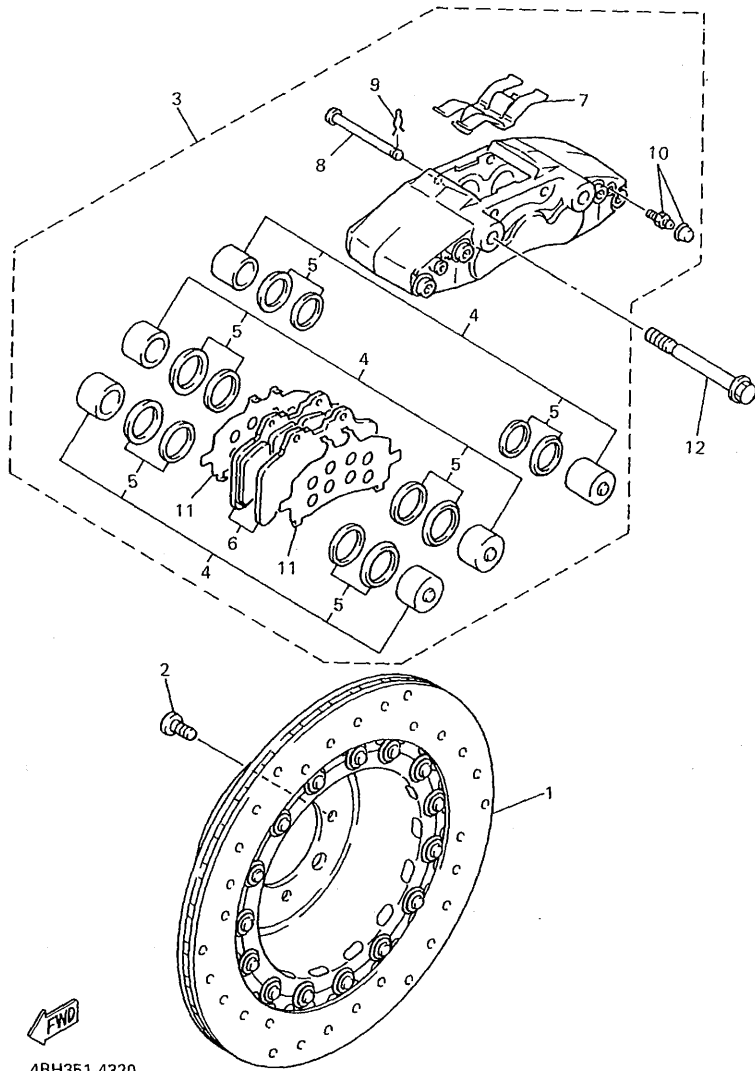


REF. NO.	PART NO.	DESCRIPTION	Q'TY	REMARKS
1	4BH-W2356-00	SHAFT, front axle	1	
2	4FE-2517G-00	ROTOR, sensor	1	
3	4BH-25146-00	WASHER, thrust	1	
4	90170-24373	NUT	1	
5	4BH-25160-00-P1	CAST WHEEL, front	1	LIGHT YELLOWISH GRAY 1
6	94113-175Y7	TIRE(130/60 ZR17 CY17)	1	UR BRIDGESTONE
	*	TIRE (130/60 ZR17 ME33)	1	UR LM METZELER
7	93900-00001	VALVE, rim	1	BRIDGESTONE
8	4BH-25398-30	BALANCER, wheel (5G)	1	UN
	4BH-25398-40	BALANCER, wheel (10G)	1	UN
	4BH-25398-50	BALANCER, wheel (15G)	1	UN
	4BH-25398-60	BALANCER, wheel (20G)	1	UN
	4BH-25398-70	BALANCER, wheel (25G)	1	UN
	4BH-25398-80	BALANCER, wheel (30G)	1	UN
9	90179-12262	NUT	4	
10	4BH-2512A-00	CAP, wheel	1	



4BH332-3310

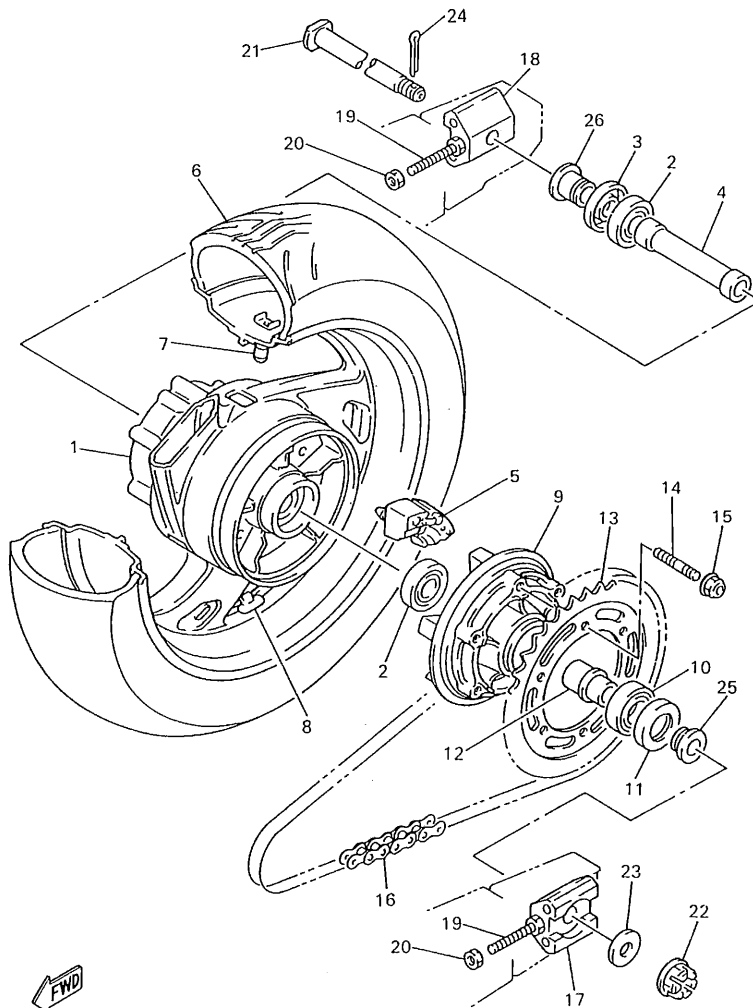
FIG. 32 FRONT BRAKE CALIPER



4BH351-4320

REF. NO.	PART NO.	DESCRIPTION	Q'TY	REMARKS
1	4BH-2581T-01	DISC BRAKE ASSY	1	
2	90109-08789	BOLT	4	
3	4BH-2580T-02	CALIPER ASSY (LEFT)	1	
4	4BH-W0057-01	.PISTON ASSY, caliper	1	
5	4BH-W0047-01	..CALIPER SEAL KIT	1	
6	4BH-W0045-01	.BRAKE PAD KIT	1	
7	4BH-25919-01	.SUPPORT, pad	1	
8	4BH-25924-00	.PIN, pad	2	
9	3MA-25925-00	.CLIP	2	
10	1J3-W0048-00	.BREED SCREW KIT	1	
11	4BH-25827-01	.SHIM, caliper	2	
12	90105-12689	BOLT, washer based	2	

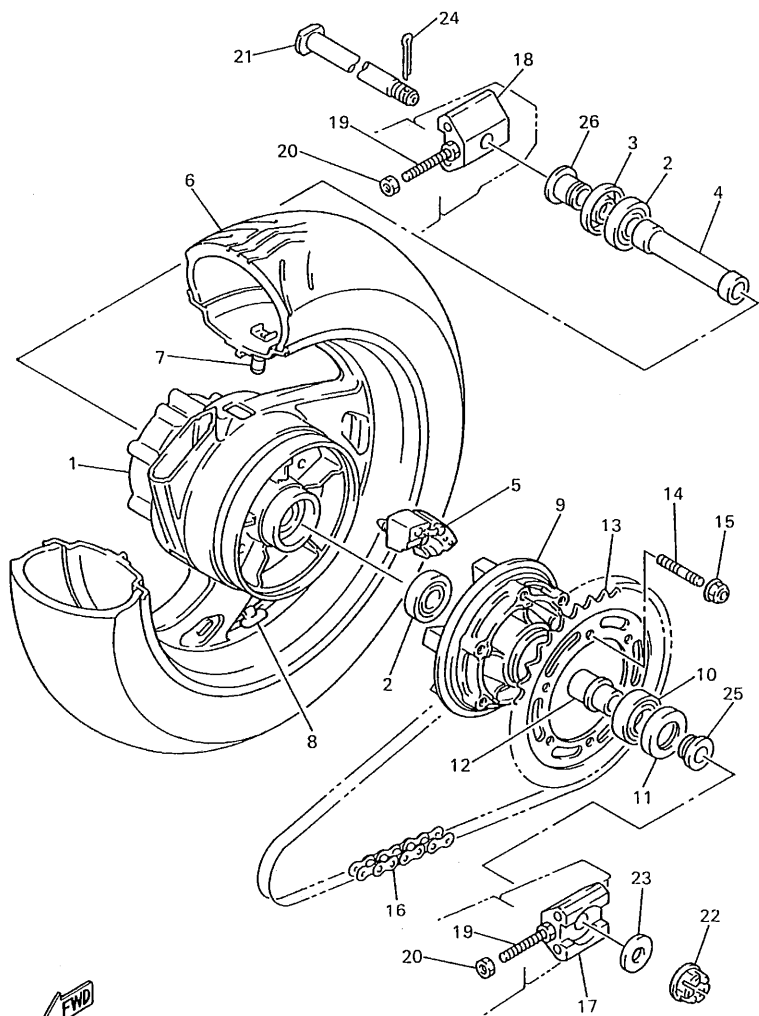
FIG. 33 REAR WHEEL



REF. NO.	PART NO.	DESCRIPTION	Q'TY	REMARKS
1	4BH-25338-00-P1	CAST WHEEL, rear	1	LIGHT YELLOWISH GRAY 1
2	93306-30437	BEARING	2	
3	93106-30029	OIL SEAL	1	
4	90560-20386	SPACER	1	
5	2GH-25364-00	DAMPER	5	
6	94117-175Y8	TIRE(170/60 ZR17 CY20Z)	1	UR BRIDGESTONE
	*	TIRE (170/60 ZR17 ME55A)	1	UR LM METZELER
7	93900-00030	VALVE, rim	1	
8	29L-25398-00	BALANCER, wheel (10G)	1	UN
	29L-25398-10	BALANCER, wheel (20G)	1	UN
	29L-25398-20	BALANCER, wheel (30G)	1	UN
9	36Y-25366-01	CLUTCH, hub	1	
10	93306-30562	BEARING	1	
11	93106-35030	OIL SEAL	1	
12	36Y-25377-00	COLLAR, wheel	1	
13	2GH-25447-21	SPROCKET, driven (47T)	1	UR
	2GH-25445-20	SPROCKET, driven (45T)	1	UR FOR SWITZERLAND/AUSTRIA
14	90116-10485	BOLT, stud	6	
15	95601-10200	NUT, self-locking	6	
16	94581-57118	CHAIN (DID532ZLVKAI-118L)	1	UR DAIDO
	94571-31118	CHAIN (RK532GSV2-118L)	1	UR TAKASAGO
17	3GM-25388-00	PULLER, chain 1	1	
18	3GM-25389-00	PULLER, chain 2	1	
19	90101-08705	BOLT	2	
20	95333-08600	NUT	2	
21	3GM-25381-00	AXLE, wheel	1	
22	90171-18051	NUT, castle	1	
23	90201-18264	WASHER, plate	1	

4BH300-3330

FIG. 33 REAR WHEEL

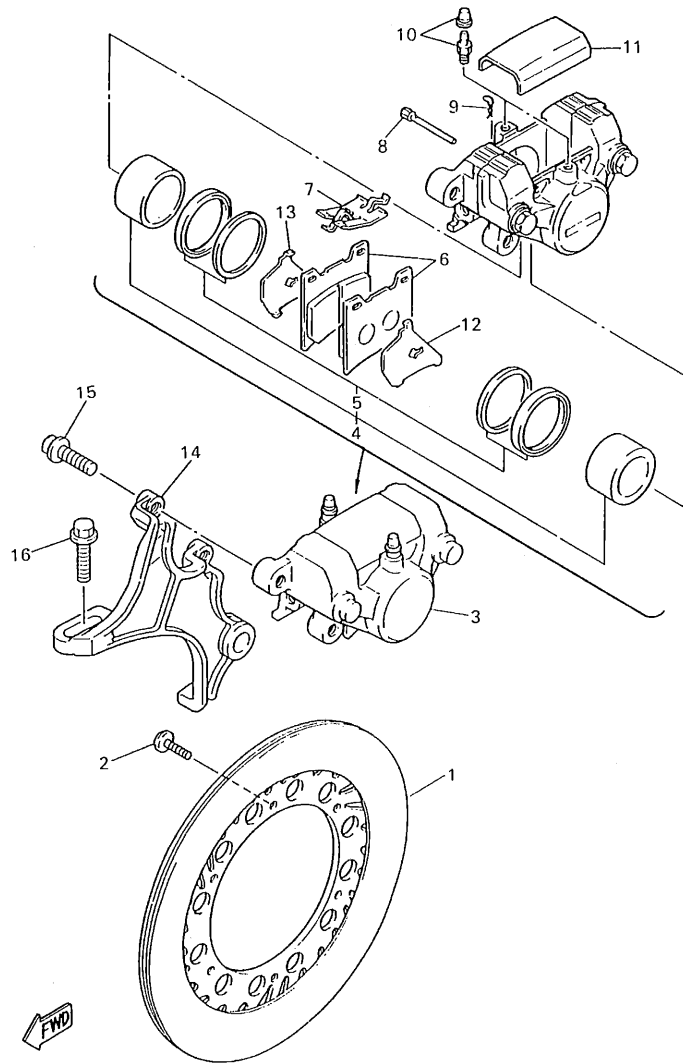


REF. NO.	PART NO.	DESCRIPTION	Q'TY	REMARKS
24	91401-40040	PIN, cotter	1	
25	90387-203X0	COLLAR	1	
26	90387-206Y4	COLLAR	1	

 4BH300-3330

E7

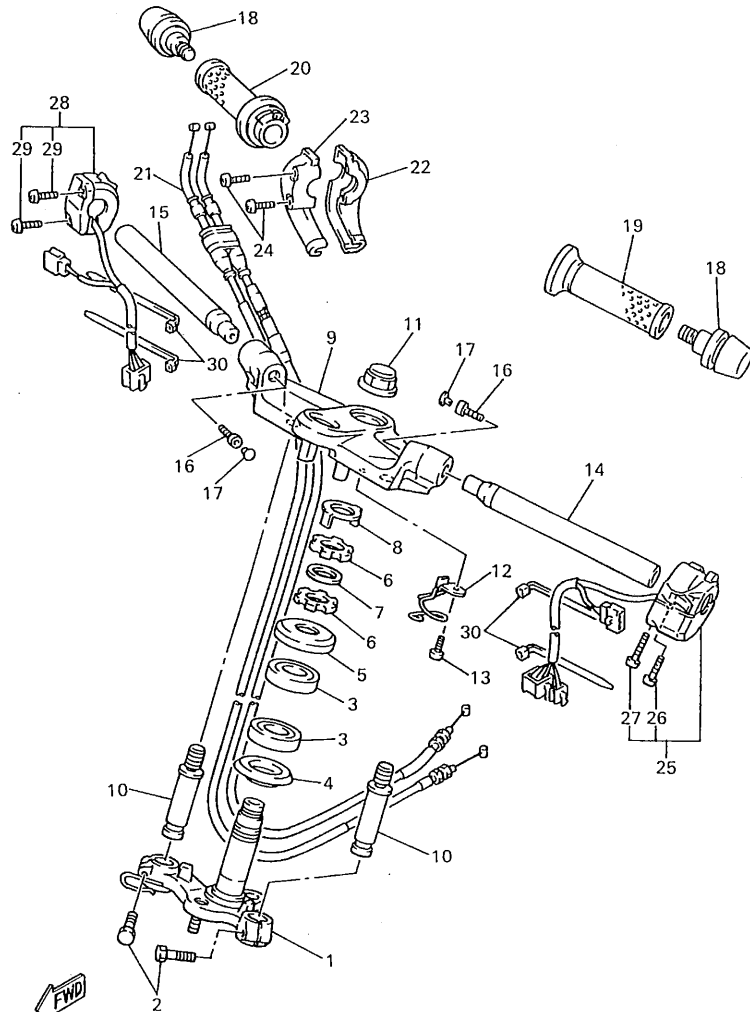
FIG. 34 REAR BRAKE CALIPER



4BH332-3340

REF. NO.	PART NO.	DESCRIPTION	QTY	REMARKS
1	4BH-2582W-00	DISC, rear brake 2	1	
2	90109-08718	BOLT	6	
3	4BH-2580W-00	CALIPER ASSY, rear 2	1	
4	31A-W0057-00	.PISTON ASSY, caliper	1	
5	31A-W0047-00	..CALIPER SEAL KIT	1	
6	1FK-W0046-01	.BRAKE PAD KIT, 2	1	
7	26H-25919-00	.SUPPORT, pad	1	
8	3HE-25924-00	.PIN, pad	2	
9	3HE-25925-00	.CLIP	2	
10	1J3-W0048-00	.BREED SCREW KIT	2	
11	41Y-25836-00	.COVER, dust	1	
12	1FK-25827-00	.SHIM, caliper	1	
13	1FK-25828-00	.SHIM, caliper	1	
14	4BH-25819-00	BRACKET, caliper	1	
15	90105-10308	BOLT, washer based	2	
16	95811-10030	BOLT, flange	1	

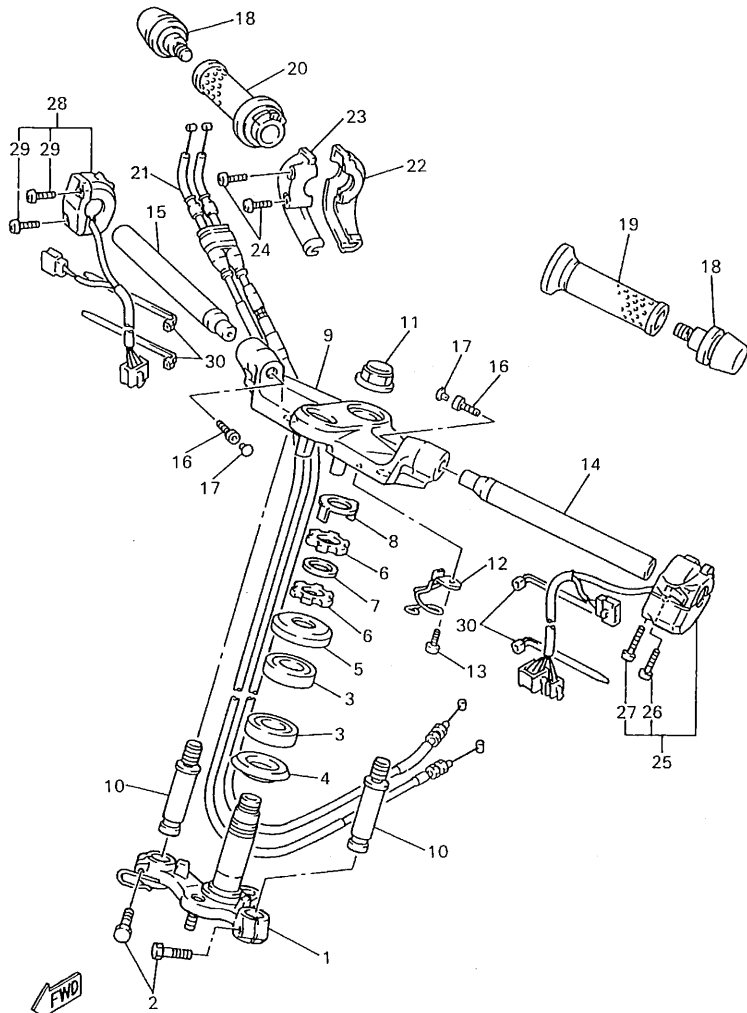
FIG. 35 STEERING HANDLE • CABLE



4BH332-3350

REF. NO.	PART NO.	DESCRIPTION	Q'TY	REMARKS
1	4BH-23340-00	UNDER BRACKET COMP.	1	
2	90101-06757	BOLT	2	
3	93399-99937	BEARING	2	
4	164-23462-00	SEAL, steering	1	
5	3HE-23416-00	COVER, ball race 2	1	
6	90179-25615	NUT	2	
7	90202-26142	WASHER, plate	1	
8	3YF-23418-00	WASHER, special	1	
*9	4BH-23435-00-P1	CROWN, handle	1	~ 4BH-035020 ~ 4FV-005002
	4BH-23435-20-P1	CROWN, handle	1	4BH-035021 ~ 4FV-005003 ~
10	4BH-2612F-00	BOSS	2	
11	90176-22050	NUT, crown	1	
12	4BH-26131-00	GUIDE, cable 1	1	
13	98906-06008	SCREW, bind	1	
14	4BH-26111-00	HANDLEBAR	1	
15	4BH-26112-00	BAR, handle	1	
16	91316-08025	BOLT	2	
17	341-23469-00	CAP. bolt	2	
18	4BH-26246-00	END, grip	2	
19	1KG-26241-00	GRIP (LEFT)	1	
20	3FH-26240-00	GRIP ASSY	1	
21	4BH-26302-00	THROTTLE CABLE ASSY	1	
22	3XW-26281-01	CAP, grip upper	1	
23	3XW-26282-01	CAP, grip lower	1	
24	98506-05035	SCREW, pan head	2	
25	4BH-83969-00	SWITCH, handle 5	1	
26	98506-05030	SCREW, pan head	1	
27	98506-05040	SCREW, pan head	1	
28	4BH-83975-00	SWITCH, handle 2	1	

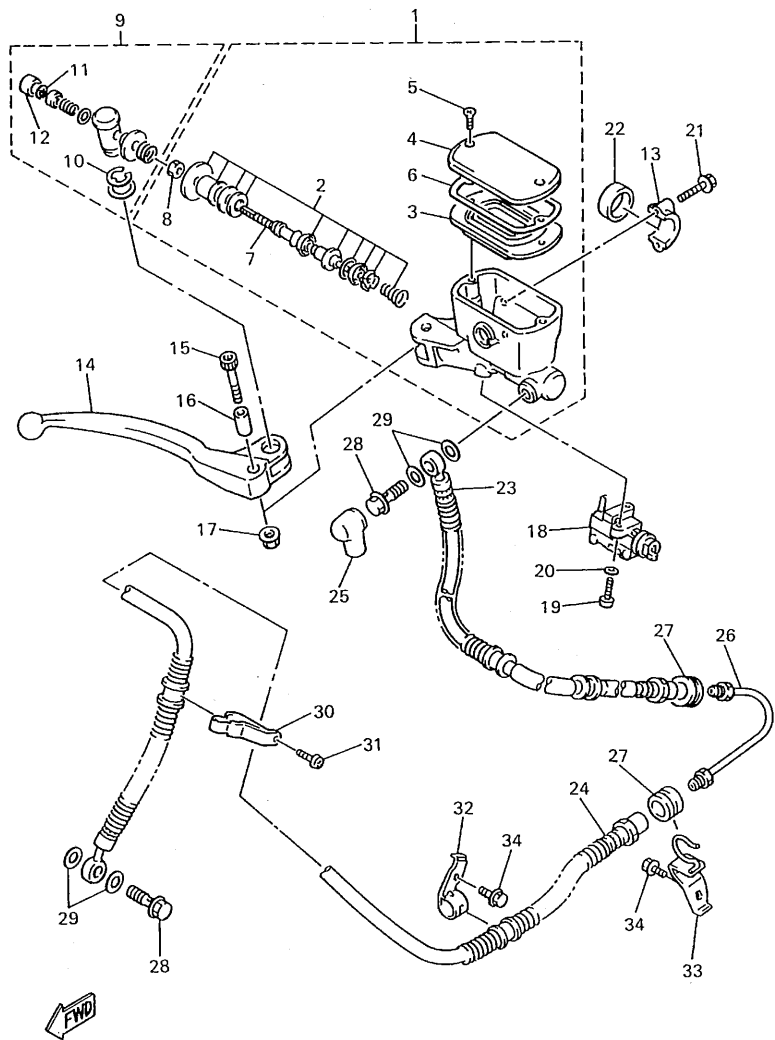
FIG. 35 STEERING HANDLE • CABLE



4BH332-3350

REF. NO.	PART NO.	DESCRIPTION	Q'TY	REMARKS
29	90157-05057	.SCREW, pan head	2	
30	90464-13073	CLAMP	4	

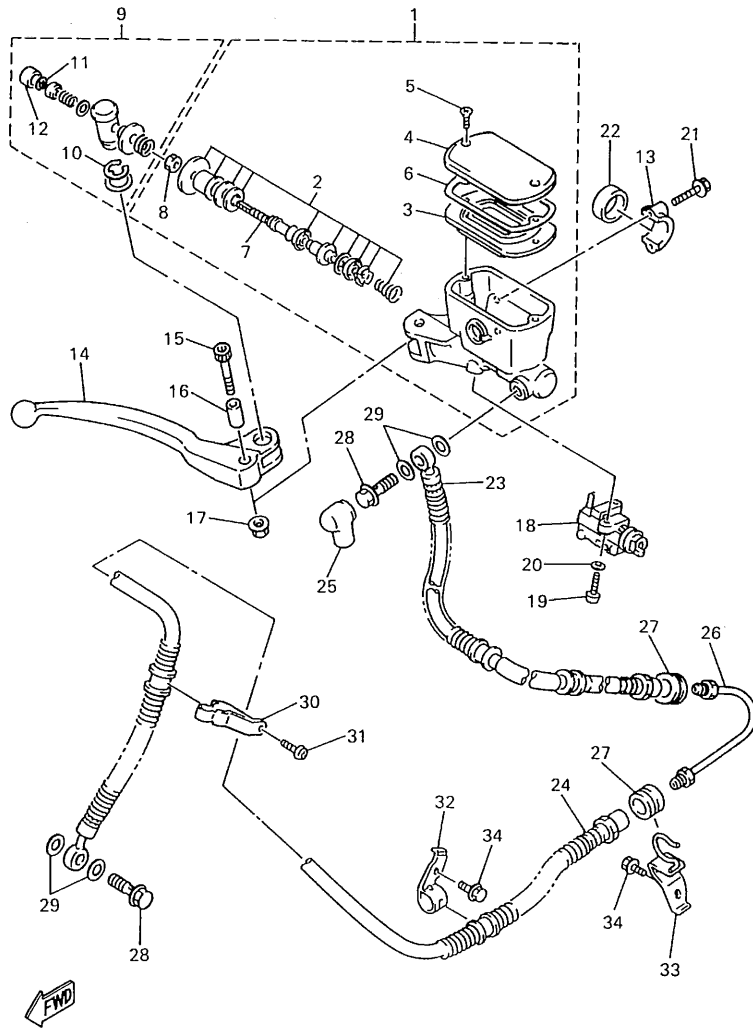
FIG. 36 FRONT MASTER CYLINDER



4BH332-3360

REF. NO.	PART NO.	DESCRIPTION	Q'TY	REMARKS
1	4BH-W2587-01	MASTER CYLINDER SUB ASSY	1	
2	4BH-W0041-00	.CYLINDER KIT, master	1	
3	4BH-25854-01	.DIAPHRAGM, reservoir	1	
4	4BH-25852-00	.CAP, reservoir	1	
5	98706-04012	.SCREW, flat head	2	
6	4BH-25815-00	.SEAL, piston	1	
7	3YX-25880-00	.PUSH ROD COMP.	1	
8	95380-06600	.NUT	1	
9	3YX-W0091-02	SCREW KIT, mastercylinder	1	
10	3YX-25866-00	.CIRCLIP	1	
11	3YX-25866-10	.CIRCLIP	1	
12	3YX-2583H-00	.BOOT	1	
13	56A-25867-00	BRACKET, master cylinder	1	
14	3YX-83922-09	LEVER 2	1	
15	3YX-2589F-00	BOLT, lever	1	
16	3YX-25838-00	SLEEVE, caliper	1	
17	95616-06100	NUT, u	1	
18	4BH-83980-00	FRONT STOP SWITCH ASSY	1	
19	98506-04012	SCREW, pan head	2	
20	92906-04600	WASHER, plate	2	
21	95026-06025	BOLT, flange	2	
22	90387-22660	COLLAR	1	
23	4BH-25872-00	HOSE, brake 1	1	
24	4BH-25873-00	HOSE, brake 2	1	
25	4L0-25862-00	BOOT, master cylinder	2	
26	4BH-25871-00	PIPE, brake	1	
27	341-25881-00	PROTECTOR, brake hose	2	
28	90401-10096	BOLT, union	2	

FIG. 36 FRONT MASTER CYLINDER

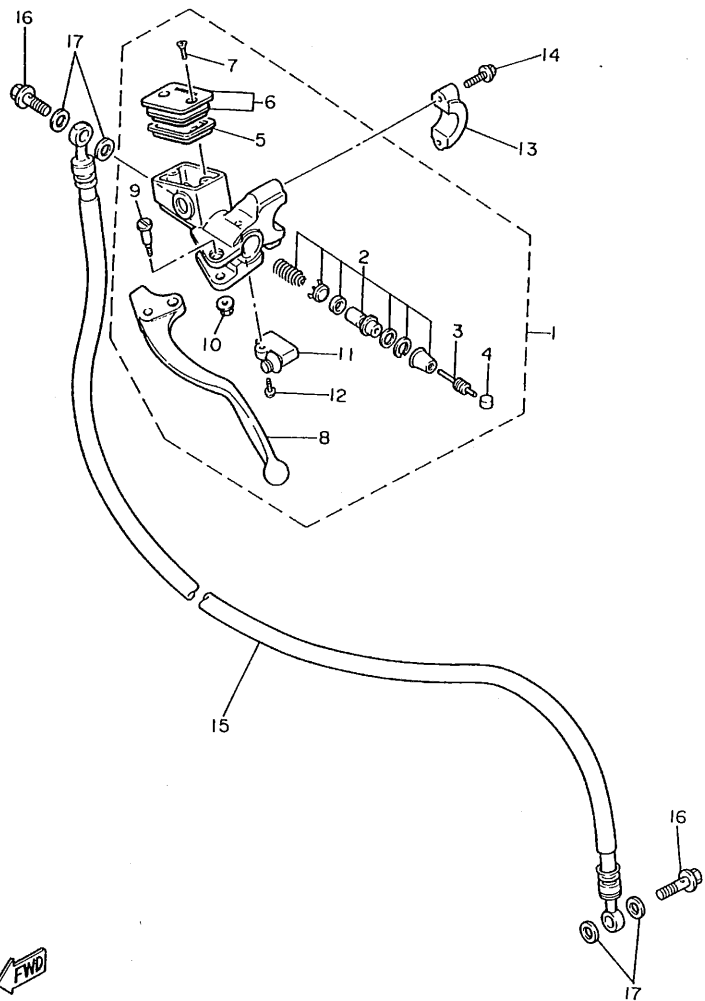


REF. NO.	PART NO.	DESCRIPTION	Q'TY	REMARKS
29	90201-10118	WASHER, plate	4	
30	4BH-25875-00	HOLDER, brake hose 1	1	
31	92011-06016	BOLT, button head	1	
32	4BH-25887-00	HOLDER, brake hose	1	
33	4BH-2587A-00	HOLDER, break hose	1	
34	95811-06012	BOLT, flange	2	

4BH332-3360

FIG. 37 FRONT MASTER CYLINDER 2

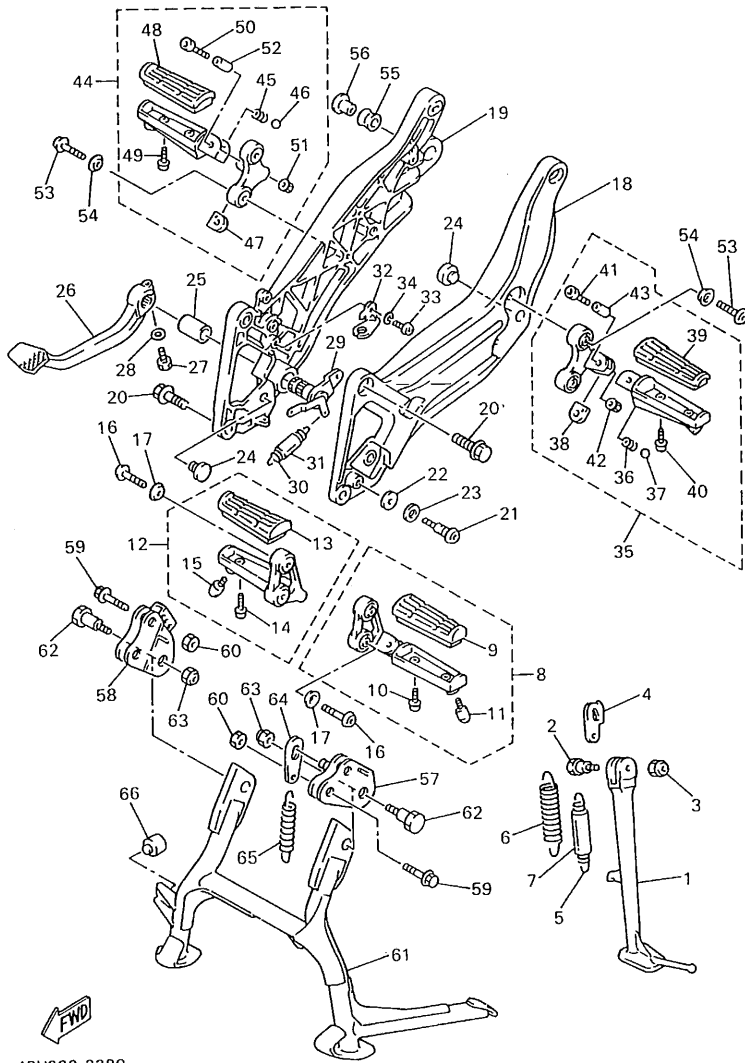
REF. NO.	PART NO.	DESCRIPTION	QTY	REMARKS
1	3SD-25870-11	MASTER CYLINDER SUB ASSY	1	
2	3GM-W0099-00	.CYLINDER KIT, master (CLUTCH)	1	
3	3GM-26464-00	.ROD, push	1	
4	3GM-26455-00	.BUSH	1	
5	55U-25854-00	.DIAPHRAGM, reservoir	1	
6	3GM-W2585-20	.RESERVOIR CAP SET	1	
7	98706-04012	.SCREW, flat head	2	
8	3GM-83912-00	.LEVER 1	1	
9	90149-06287	.SCREW	1	
10	95706-06500	.NUT, flange	1	
11	3GM-83980-00	.FRONT STOP SWITCH ASSY	1	
12	98706-04016	.SCREW, flat head	1	
13	56A-25867-00	BRACKET, master cylinder	1	
14	95026-06025	BOLT, flange	2	
15	48H-26470-00	HOSE, clutch	1	
16	90401-10096	BOLT, union	2	
17	90201-10118	WASHER, plate	4	



3LE332-1360

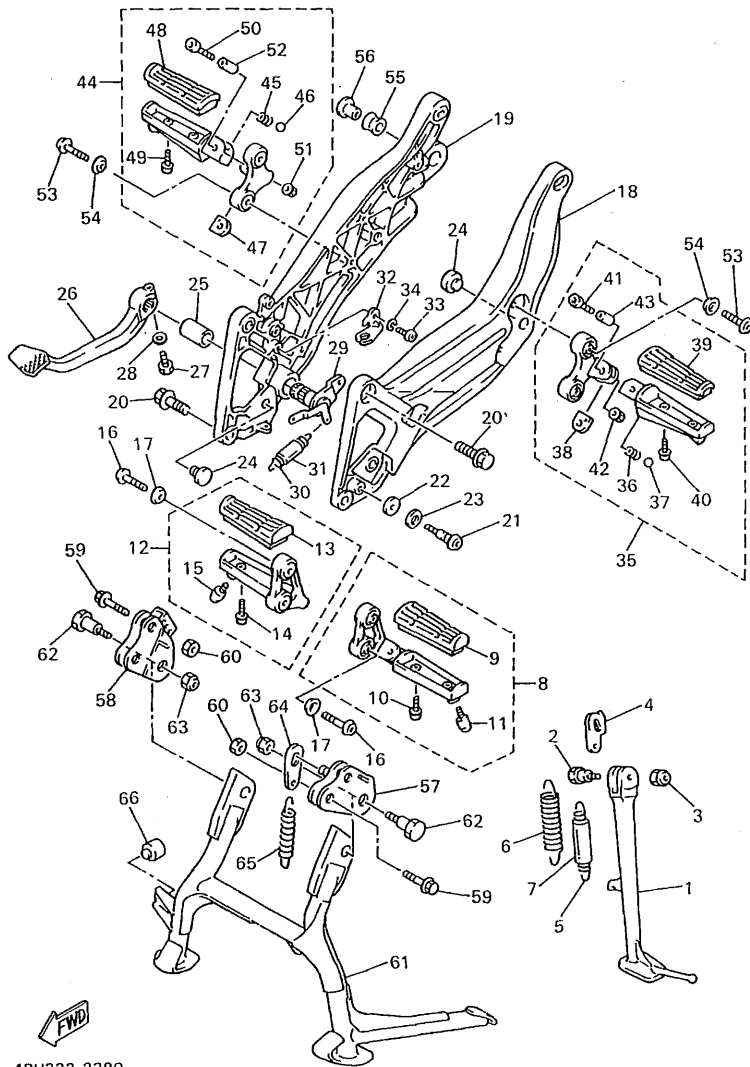
E13

FIG. 38 STAND • FOOTREST



REF. NO.	PART NO.	DESCRIPTION	Q'TY	REMARKS
1	4BH-27311-00	STAND, side	1	
2	90109-107F8	BOLT	1	
3	90185-10037	NUT, self-locking	1	
4	2KT-27315-00	LINK, side stand	1	
5	90506-18224	SPRING, tension	1	
6	90506-26225	SPRING, tension	1	
7	1TX-27351-00	GUIDE, side stand	1	
8	4BH-27410-00	FRONT FOOTREST ASSY (LEFT)	1	
9	3YX-27413-00	.COVER, footrest	1	
10	90159-05122	.SCREW, with washer	2	
11	3HE-27435-00	.BOLT	1	
12	4BH-27420-00	FRONT FOOTREST ASSY (RIGHT)	1	
13	3YX-27413-00	.COVER, footrest	1	
14	90159-05122	.SCREW, with washer	2	
15	3HE-27435-00	.BOLT	1	
16	90110-08071	BOLT, hexagon socket head	4	
17	90209-08295	WASHER	4	
18	4BH-27442-00-P1	BRACKET 2	1	LIGHT YELLOWISH GRAY 1
19	4BH-27443-00-P1	BRACKET 3	1	LIGHT YELLOWISH GRAY 1
20	90105-10678	BOLT, washer based	4	
21	4BP-27434-00	BOLT	1	
22	90201-08326	WASHER, plate	1	
23	90201-127J6	WASHER, plate	1	
24	128-27114-00	STOPPER, main stand	4	
25	90380-20213	BUSH, solid	1	
26	4BH-27211-00	PEDAL, brake	1	
27	90109-06468	BOLT	1	
28	92995-06100	WASHER	1	

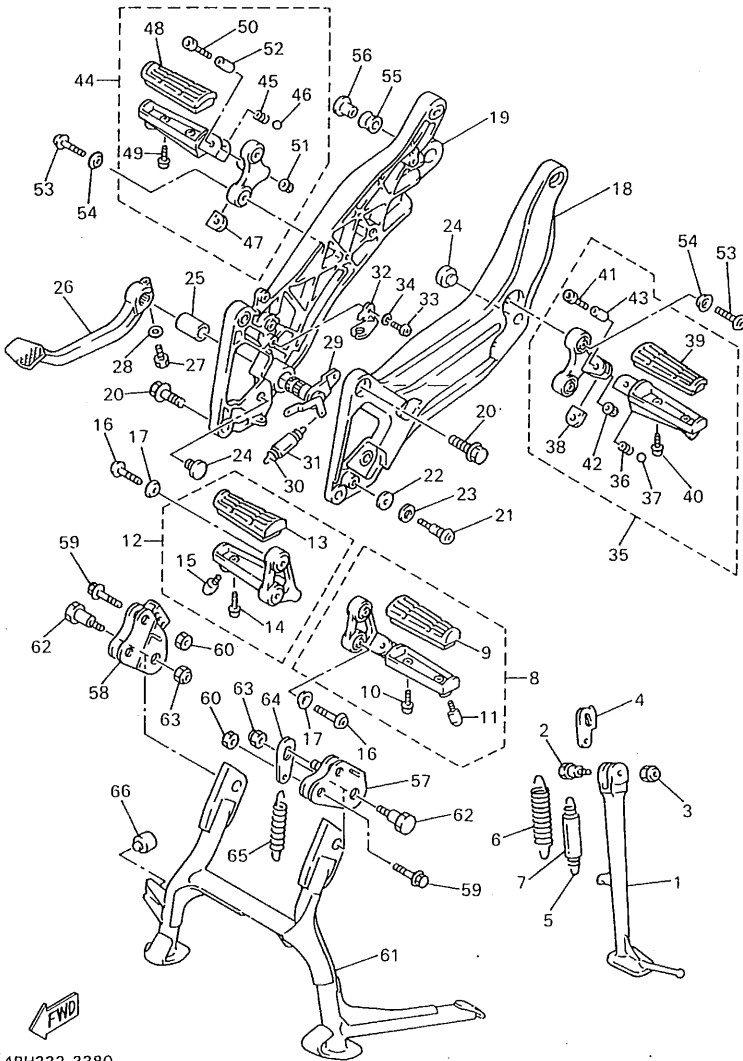
FIG. 38 STAND • FOOTREST



4BH332-3380

REF. NO.	PART NO.	DESCRIPTION	Q'TY	REMARKS
29	4BH-27212-00	SHAFT, brake pedal	1	
30	90506-20192	SPRING, tension	1	
31	90446-14359	HOSE	1	
32	4BH-2741L-00	BRACKET 4	1	
33	98580-05012	SCREW, pan head	1	
34	92901-05100	WASHER, spring	1	
35	4BH-27430-00	REAR FOOTREST ASSY 1	1	
36	90501-12743	.SPRING, compression	1	
37	93501-04011	.BALL	1	
38	1HX-27437-00	.WASHER, special	1	
39	3YX-27413-00	.COVER, footrest	1	
40	90159-05122	.SCREW, with washer	2	
41	91311-06035	.BOLT	1	
42	95601-06100	.NUT, u	1	
43	90387-064H8	.COLLAR	1	
44	4BH-27440-00	REAR FOOTREST ASSY 2	1	
45	90501-12743	.SPRING, compression	1	
46	93501-04011	.BALL	1	
47	1HX-27437-00	.WASHER, special	1	
48	3YX-27413-00	.COVER, footrest	1	
49	90159-05122	.SCREW, with washer	2	
50	91311-06035	.BOLT	1	
51	95601-06100	.NUT, u	1	
52	90387-064H8	.COLLAR	1	
53	90110-08071	BOLT, hexagon socket head	4	
54	90209-08295	WASHER	4	
55	2H7-27414-00	DAMPER, footrest	1	
56	90387-10636	COLLAR	1	

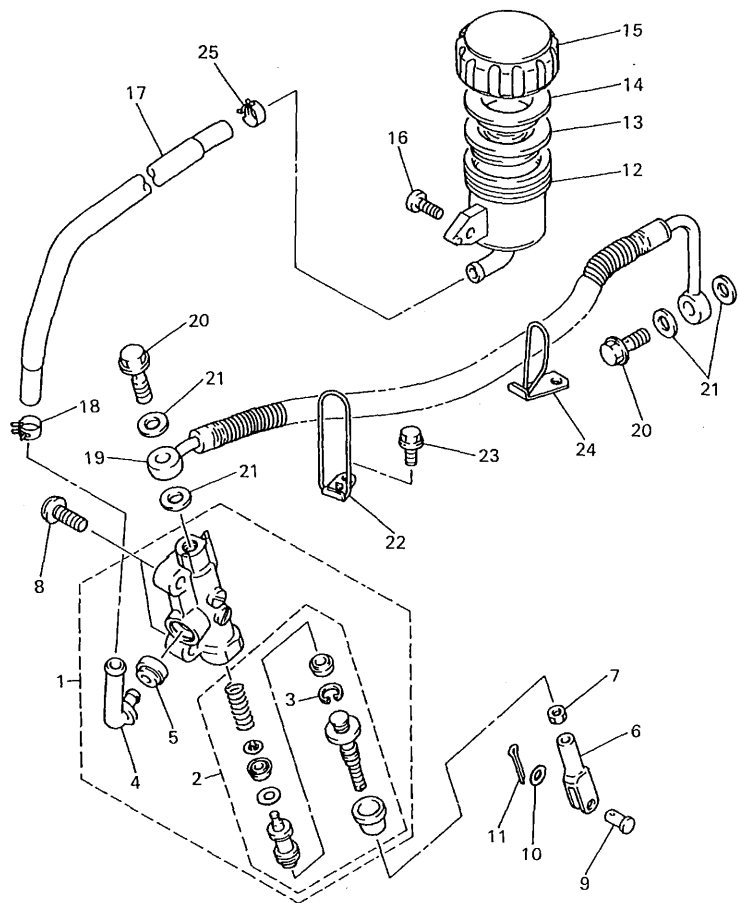
FIG. 38 STAND • FOOTREST



48H332-3380

REF. NO.	PART NO.	DESCRIPTION	Q'TY	REMARKS
57	4BH-27151-00	BRACKET, main stand	1	
58	4BH-27152-00	BRACKET, main stand 2	1	
59	90105-10188	BOLT, washer based	4	
60	90179-10247	NUT	4	
61	4BH-27111-01	STAND, main	1	
62	90109-100E6	BOLT	2	
63	90185-10091	NUT, self-locking	2	
64	4BH-27115-00	LINK, main stand	1	
65	90506-45278	SPRING, tension	1	
66	2GM-27114-00	STOPPER, main stand	1	

FIG. 39 REAR MASTER CYLINDER

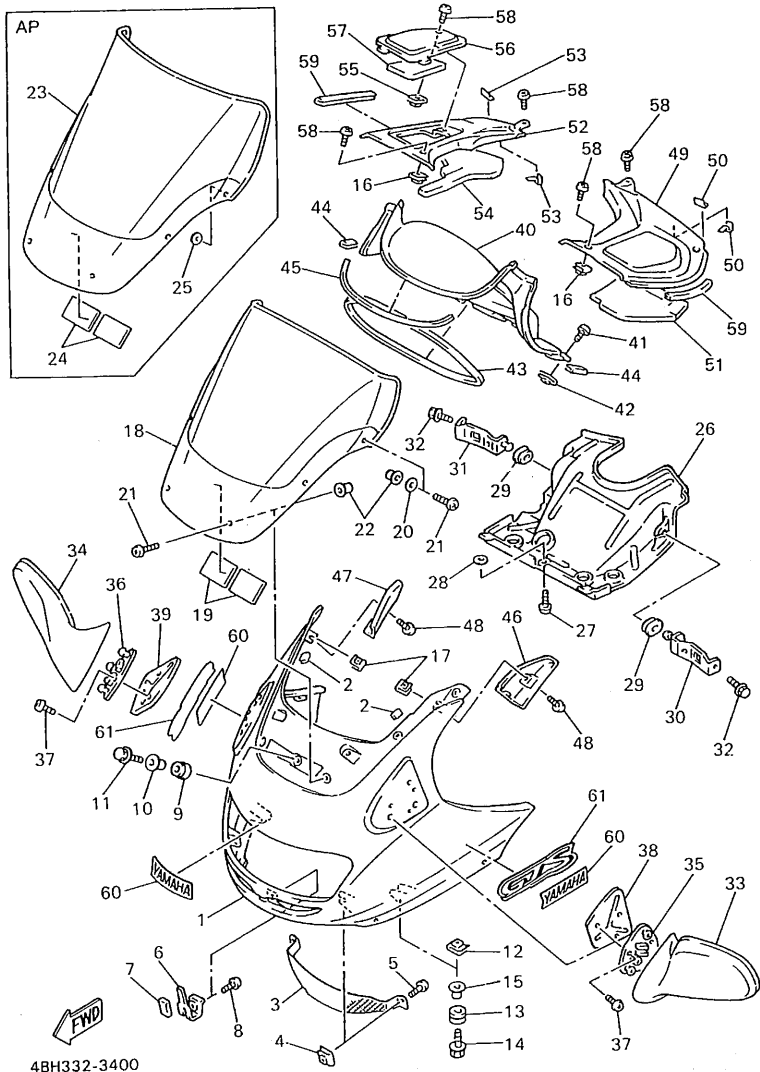


REF. NO.	PART NO.	DESCRIPTION	QTY	REMARKS
1	4BH-2583V-00	RR. MASTER CYLINDER ASSY.	1	
2	4BH-W0042-50	.CYLINDER KIT, master	1	
3	3LN-2585G-00	..CIRCLIP	1	
4	4BP-2582A-00	.JOINT	1	
5	4BP-2585F-00	.BUSH	1	
6	31A-27222-00	JOINT	1	
7	95303-08700	NUT	1	
8	90150-08034	SCREW, round head	2	
9	90240-08013	PIN, clevis	1	
10	90201-08083	WASHER, plate	1	
11	91490-20020	PIN, cotter	1	
12	47X-25894-00	TANK, reservoir	1	
13	360-25854-00	DIAPHRAGM, reservoir	1	
14	2GU-25855-00	BUSH,diaphragm	1	
15	2KF-25852-50	CAP, reservoir	1	
16	90159-06056	SCREW, with washer	1	
17	4BH-25895-00	HOSE, reservoir	1	
18	90467-14057	CLIP	1	
19	4BH-2582J-00	HOSE, brake 6	1	
20	90401-10096	BOLT, union	2	
21	90201-10118	WASHER, plate	4	
22	4BH-25886-00	HOLDER, brake hose	1	
23	95026-06016	BOLT, flange	1	
24	4BH-25886-10	HOLDER, brake hose	1	
25	90467-13062	CLIP	1	



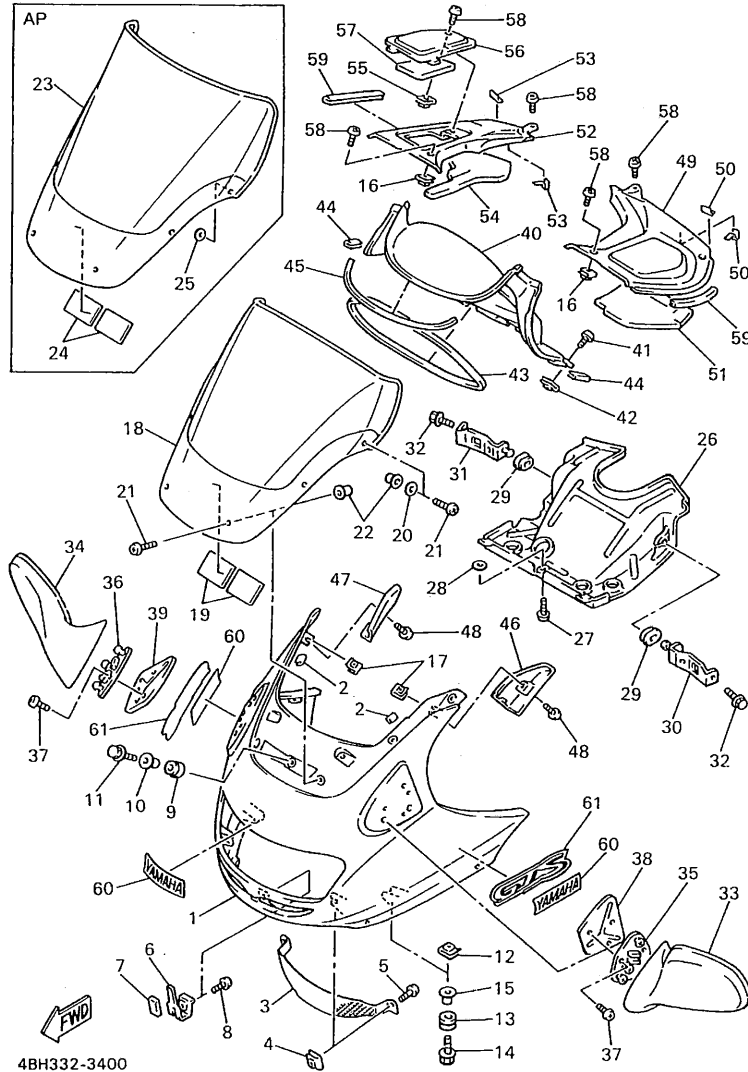
4BH351-4390

FIG. 40 COWLING 1



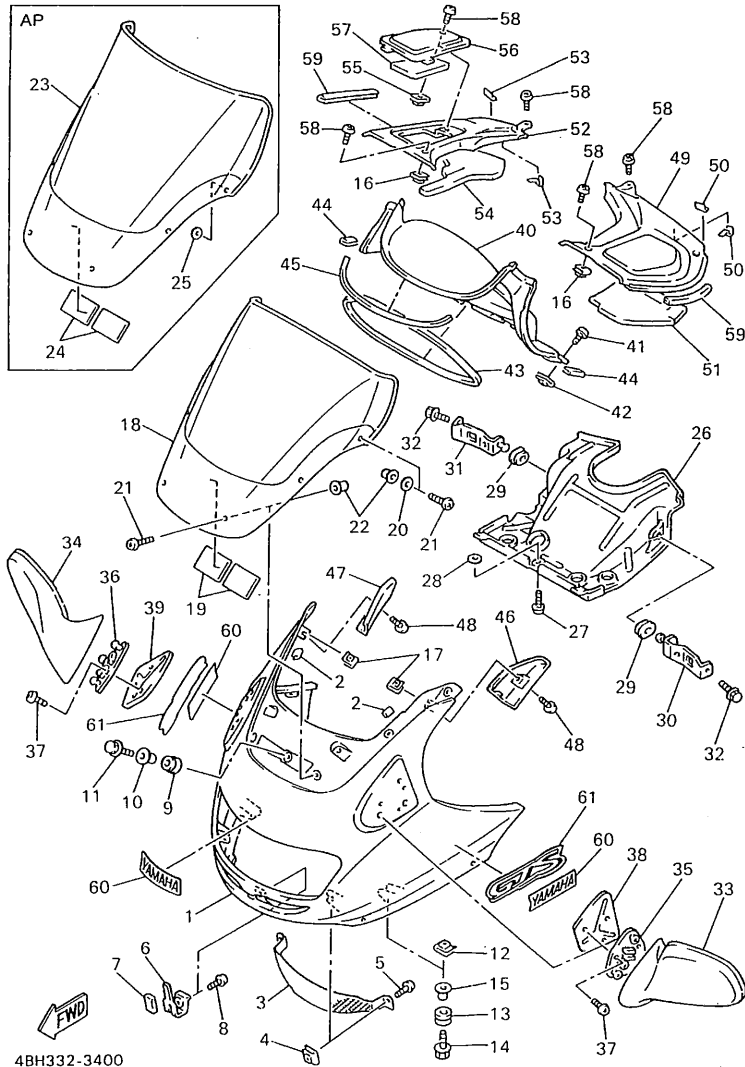
REF. NO.	PART NO.	DESCRIPTION	Q'TY	REMARKS
1	4BH-28350-00-P1	COWLING ASSY	1	UR DEEP RED COCKTAIL 2 UR DARK PURPLISH BLUE METALLIC 2
	4BH-28350-00-P3	COWLING ASSY	1	
2	3MA-27491-00	PROTECTOR	4	
3	4BH-28336-00	PLATE	1	
4	90183-05061	NUT, spring	2	
5	90154-05013	SCREW, binding	2	
6	4BH-28358-00	STAY 3	1	
7	34M-2139X-00	DAMPER	1	
8	90154-05013	SCREW, binding	1	
9	90480-13398	GROMMET	1	
10	90387-067K6	COLLAR	1	
11	90119-06060	BOLT, with washer	1	
12	90183-06053	NUT, spring	2	
13	90480-15257	GROMMET	2	
14	90119-06163	BOLT, with washer	2	
15	90387-081F5	COLLAR	2	
16	90183-05024	NUT, spring	2	
17	90183-05061	NUT, spring	2	
18	4BH-28381-00	WINDSHIELD	1	
19	1JK-21735-00	SEAL 2	2	
20	3YF-21268-00	SEAL	6	
21	90150-05023	SCREW, round head	6	
22	90179-05523	NUT	6	
23	4BH-28381-10	WINDSHIELD	1	AP
24	1JK-21735-00	SEAL 2	2	
25	3YF-21268-00	SEAL	6	
26	4BH-28365-00	COVER	1	
27	90149-06194	SCREW	1	

FIG. 40 COWLING 1



REF. NO.	PART NO.	DESCRIPTION	Q'TY	REMARKS
28	4U5-2176E-00	PLATE	1	
29	90480-12325	GROMMET	2	
30	4BH-28366-00	BRACKET	1	
31	4BH-28367-00	BRACKET	1	
32	95826-06010	BOLT, flange	2	
33	4BH-26280-20	REAR VIEW MIRROR ASSY(LEFT)	1	UR DARK PURPLISH BLUE METALLIC 2
	4BH-26280-10	REAR VIEW MIRROR ASSY(LEFT)	1	UR DEEP RED COCKTAIL 2
34	4BH-26290-20	REAR VIEW MIRROR ASSY(RIGHT)	1	UR DARK PURPLISH BLUE METALLIC 2
	4BH-26290-10	REAR VIEW MIRROR ASSY(RIGHT)	1	UR DEEP RED COCKTAIL 2
35	4BH-2831W-00	STAY, mirror 1	1	
36	4BH-2832W-00	STAY, mirror 2	1	
37	98906-05014	SCREW, bind	6	
38	4BH-2834N-00	BRACKET, mirror 1	1	
39	4BH-2834R-00	BRACKET, mirror 2	1	
40	4BH-2836R-00	PANEL, inner 5	1	
41	90154-05013	SCREW, binding	4	
42	90183-05024	NUT, spring	4	
43	36Y-28348-00	MOLE 4	1	
44	3EN-28345-50	MOLE 1	2	
45	3CV-2834H-01	MOLE 6	1	
46	4BH-2836M-00	PANEL, inner 3	1	
47	4BH-2836N-00	PANEL, inner 4	1	
48	98906-05012	SCREW, bind	2	
49	4BH-2836K-00	PANEL, inner 1	1	
50	3TU-2178A-00	LABEL	2	
51	4BH-28218-00	SEAL 1	1	
52	4BH-2836L-00	PANEL, inner 2	1	
53	3TU-2178A-00	LABEL	2	

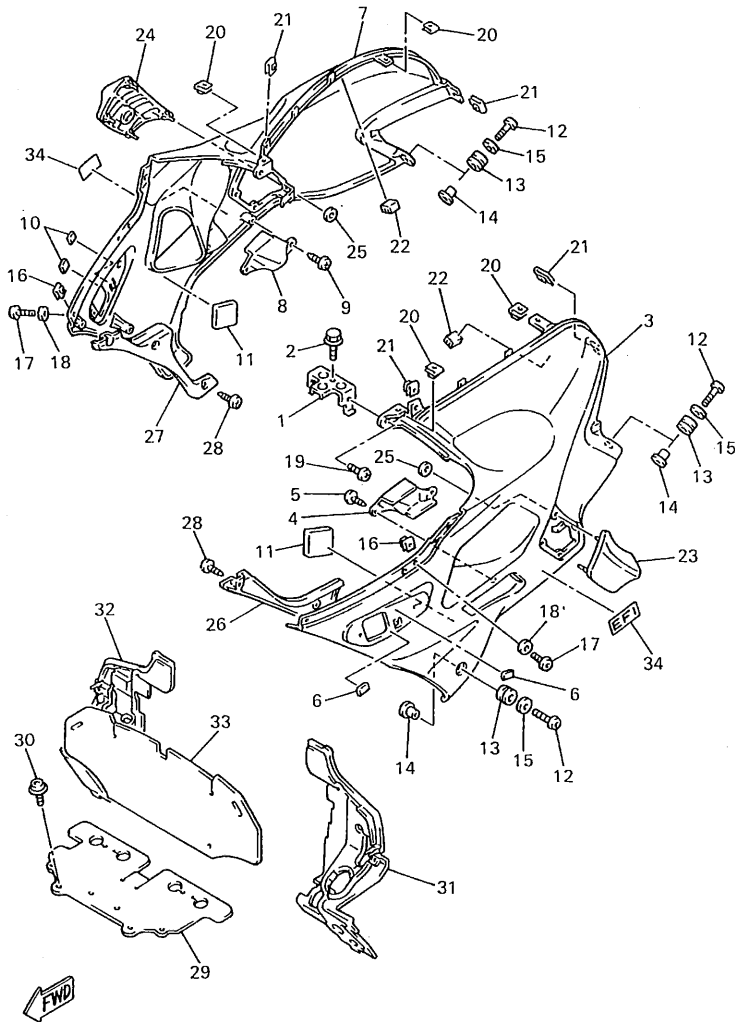
FIG. 40 COWLING 1



4BH332-3400

REF. NO.	PART NO.	DESCRIPTION	Q'TY	REMARKS
54	4BH-28238-00	SEAL 3	1	
55	90183-05024	NUT, spring	1	
56	4BH-2839K-00	LID 1	1	
57	4BH-28228-00	SEAL 2	1	
58	90154-05013	SCREW, binding	7	
59	4BH-28376-00	TRIM	2	
60	99236-00100	EMBLEM, yamaha	3	UR FOR DRC2
	99237-00100	EMBLEM, yamaha	3	UR FOR DPBM2
61	4BH-28315-20	EMBLEM	2	UR FOR DRC2
	4BH-28315-40	EMBLEM	2	UR FOR DPBM2

FIG. 41 COWLING 2

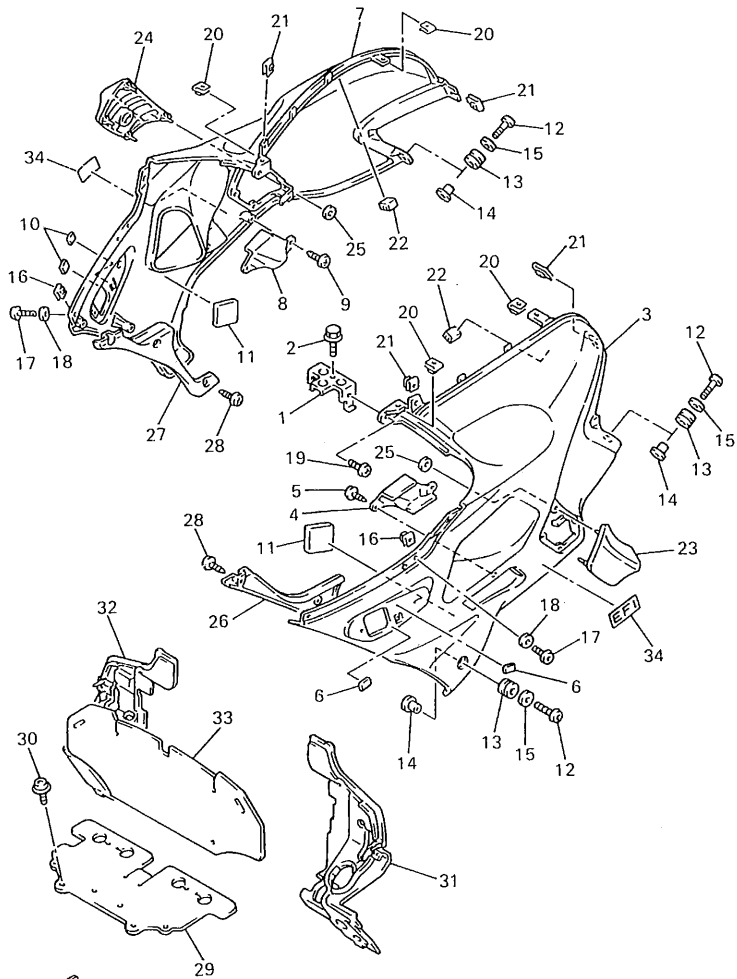


4BH332-3410

REF. NO.	PART NO.	DESCRIPTION	Q'TY	REMARKS
1	4BH-28321-00	STAY 1	1	
2	95826-06010	BOLT, flange	1	
3	4BH-2835J-00-P1	BODY, front lower 1	1	UR DEEP RED COCKTAIL 2
	4BH-2835J-00-P3	BODY, front lower 1	1	UR DARK PURPLISH BLUE METALLIC 2
4	4BH-2838N-00	DUCT 1	1	
5	97706-50012	SCREW, tapping	2	
6	3TU-2178A-00	LABEL	2	
7	4BH-2835K-00-P1	BODY, front lower 2	1	UR DEEP RED COCKTAIL 2
	4BH-2835K-00-P3	BODY, front lower 2	1	UR DARK PURPLISH BLUE METALLIC 2
8	4BH-2838R-00	DUCT 2	1	
9	97706-50012	SCREW, tapping	2	
10	3TU-2178A-00	LABEL	2	
11	5G7-82121-00	PAD, battery	2	
12	90110-06202	BOLT, hexagon socket head	4	
13	90480-10289	GROMMET	4	
14	90387-066Y6	COLLAR	4	
15	90201-06697	WASHER, plate	4	
16	90183-05024	NUT, spring	4	
17	90110-05201	BOLT, hexagon socket head	4	
18	90202-05180	WASHER, plate	4	
19	90154-05013	SCREW, binding	2	
20	90183-05061	NUT, spring	4	
21	90183-05024	NUT, spring	4	
22	4BH-2836T-00	DAMPER, locating 1	2	
23	4BH-2832M-00	PROTECTOR 1	1	UR BLACK
	4BH-2832M-10	PROTECTOR 1	1	UR RED
24	4BH-2832N-00	PROTECTOR 2	1	UR BLACK
	4BH-2832N-10	PROTECTOR 2	1	UR RED

F7

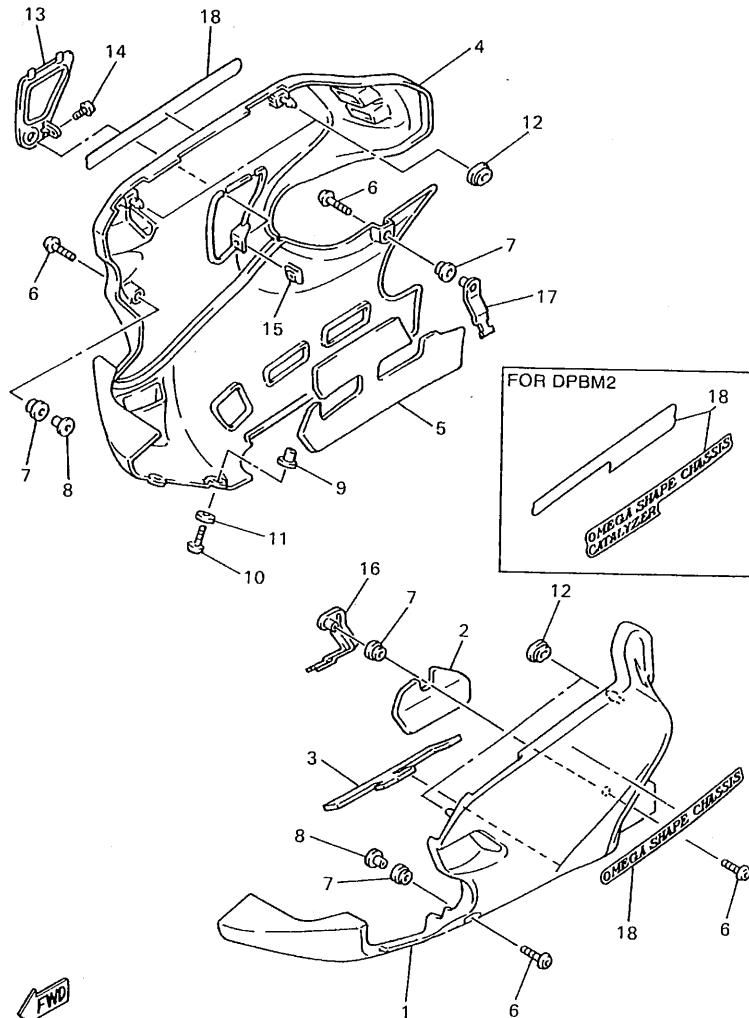
FIG. 41 COWLING 2



4BH332-3410

REF. NO.	PART NO.	DESCRIPTION	Q'TY	REMARKS
25	90183-06011	NUT, spring	4	
26	4BH-2835U-00	PANEL 1	1	
27	4BH-2835V-00	PANEL 2	1	
28	97706-50012	SCREW, tapping	5	
29	4BH-28341-00	PLATE, engine guard	1	
30	90159-06093	SCREW, with washer	2	
31	4BH-28396-00	PLATE 1	1	
32	4BH-28397-00	PLATE 2	1	
33	4BH-2838G-00	SEAT 1	1	
34	4BH-28338-00	EMBLEM	2	UR FOR DRC2
	4BH-28338-20	EMBLEM	2	UR FOR DPBM2

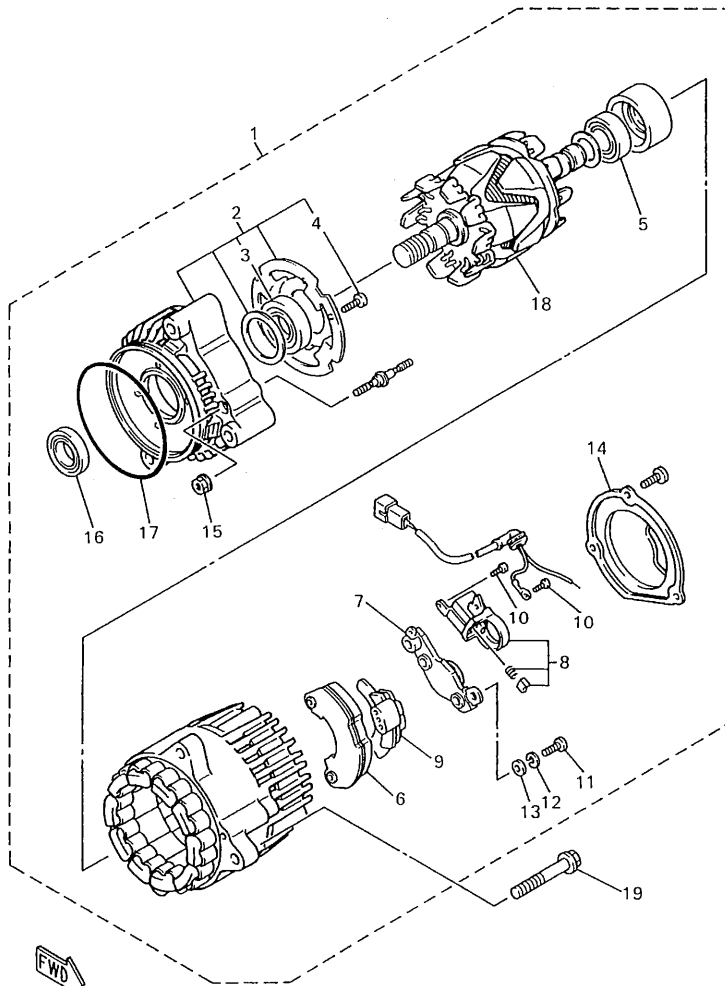
FIG. 42 COWLING 3



4BH351-4420

REF. NO.	PART NO.	DESCRIPTION	Q'TY	REMARKS
1	4BH-28385-00-6M	COVER, lower	1	UR STAR SILVER
	4BH-28385-00-7B	COVER, lower	1	UR BLUISH BLACK 2
2	4BH-2848L-00	SEAT 3	1	
3	4BH-2848M-00	SEAT 4	1	
4	4BH-28395-00-6M	COVER, under	1	UR STAR SILVER
	4BH-28395-00-7B	COVER, under	1	UR BLUISH BLACK 2
5	4BH-2848N-00	SEAT 5	1	
6	90110-06202	BOLT, hexagon socket head	4	
7	90480-13398	GROMMET	4	
8	90387-067N5	COLLAR	2	
9	90179-05523	NUT	2	
10	90149-05299	SCREW	2	
11	90202-05180	WASHER, plate	2	
12	90480-01559	GROMMET	4	
	4BH-2839L-00-6M	LID 2	1	UR STAR SILVER
13	4BH-2839L-00-7B	LID 2	1	UR BLUISH BLACK 2
	90154-05013	SCREW, binding	1	
15	90183-05024	NUT, spring	1	
16	4BH-2836A-00	BRACKET 1	1	
17	4BH-2836E-00	BRACKET 2	1	
18	4BH-28328-20	EMBLEM	2	UR FOR DRC2
	4BH-28328-30	EMBLEM	2	UR FOR DPBM2

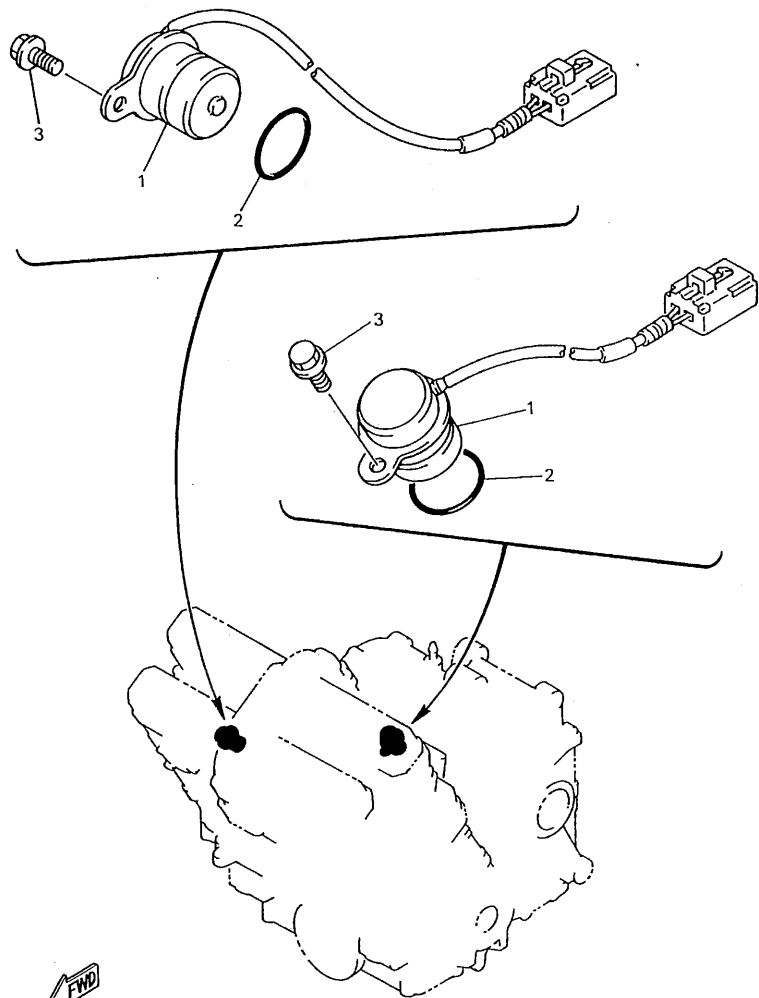
FIG. 43 GENERATOR



4BH332-3430

REF. NO.	PART NO.	DESCRIPTION	Q'TY	REMARKS
1	4BH-81600-00	A.C. GENERATOR ASSY	1	
2	4BH-81634-00	.STATOR ASSY	1	
3	4BH-81643-00	..BEARING	1	
4	4BH-81645-00	..SCREW	4	
5	4BH-81643-10	.BEARING	1	
6	4BH-81970-00	.RECTIFIER ASSY	1	
7	36Y-81910-50	.VOLTAGE REGULATOR ASSY	1	
8	3FV-81619-00	.BRUSH HOLDER ASSY	1	
9	4BH-81972-00	.COVER, rectifier	1	
10	3FV-81645-00	.SCREW	2	
11	98501-05018	.SCREW, pan head	3	
12	92901-05100	.WASHER, spring	3	
13	92901-05600	.WASHER, plate	3	
14	4BH-81604-00	.COVER ASSY	1	
15	95701-05500	.NUT, flange	2	
16	36Y-81638-50	.OIL SEAL	1	
17	2KT-81642-50	.O-RING	1	
18	4BH-81660-00	.ROTOR ASSY	1	
19	95816-08065	BOLT, flange	3	

FIG. 44 PICK UP COIL • GOVERNOR



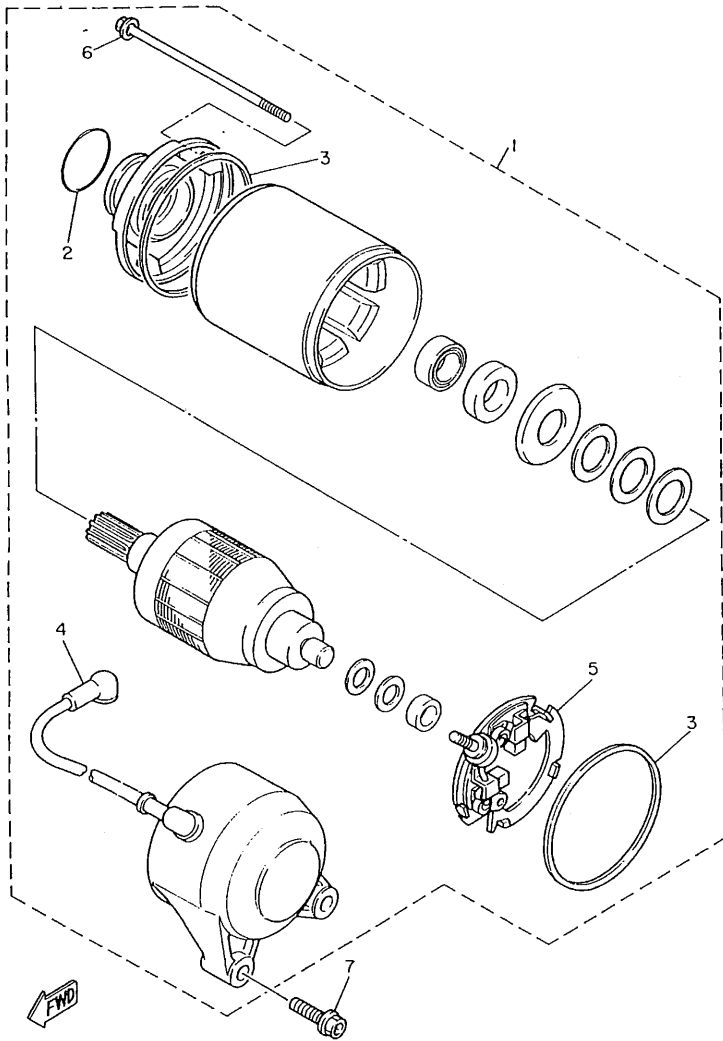
REF. NO.	PART NO.	DESCRIPTION	Q'TY	REMARKS
1	4BH-81670-00	PICK-UP ASSY	2	
2	93210-19216	O-RING	2	
3	95023-06012	BOLT	2	



4BH332-3440

F11

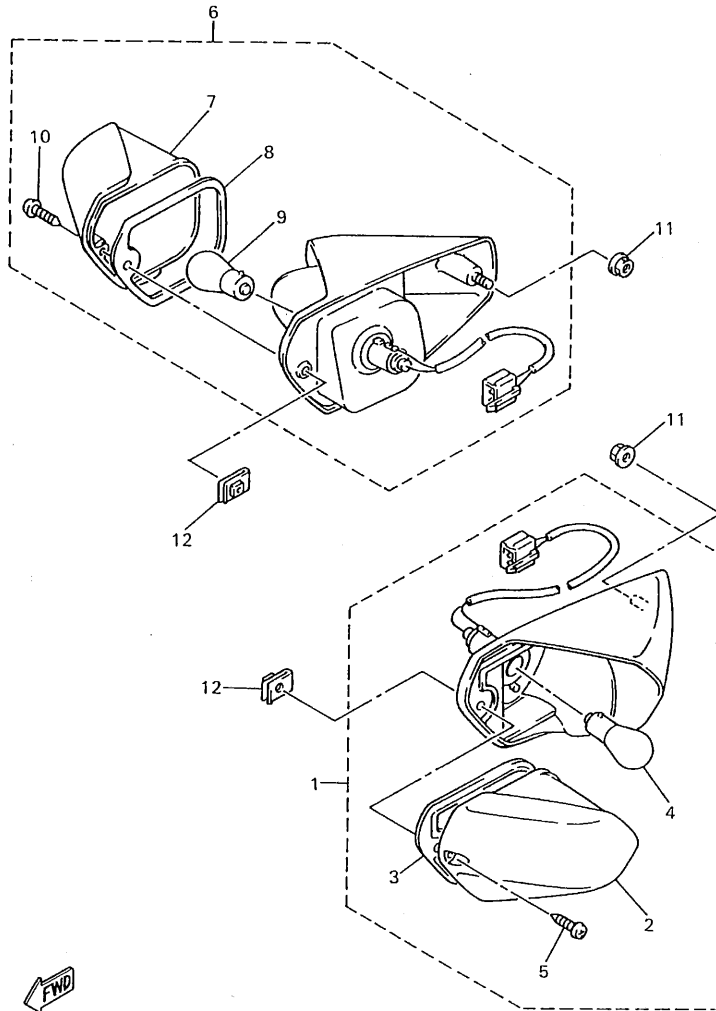
FIG. 45 STARTING MOTOR



3KS351-9420

REF. NO.	PART NO.	DESCRIPTION	Q'TY	REMARKS
1	3XF-81800-00	STARTING MOTOR ASSY	1	
2	26H-81847-00	.O-RING	1	
3	11H-81844-00	.GASKET	2	
4	2KT-81815-00	.CORD, starter motor	1	
5	3KS-81840-00	.BRUSH HOLDER ASSY	1	
6	3HE-81826-00	.BOLT	2	
7	95811-06025	BOLT, flange	2	

FIG. 46 FLASHER LIGHT

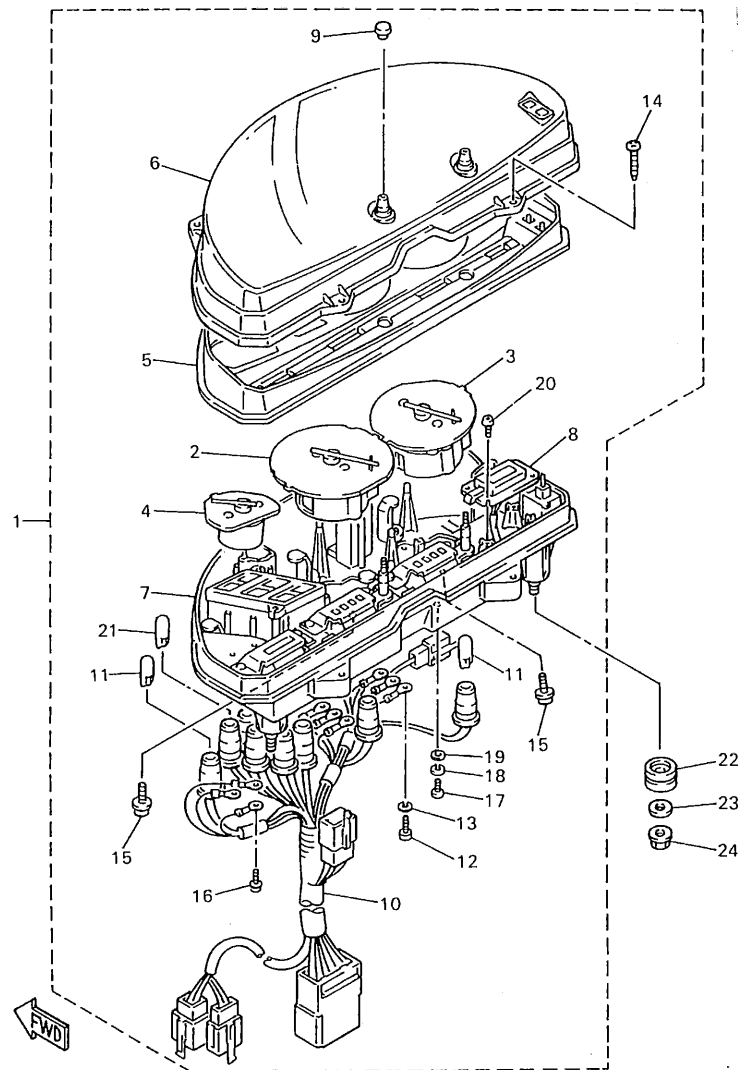


REF. NO.	PART NO.	DESCRIPTION	Q'TY	REMARKS
1	4BH-83310-00-P1	FRONT FLASHER LIGHT ASSY 1	1	UR DEEP RED COCKTAIL 2 UR DARK PURPLISH BLUE METALLIC 2
	4BH-83310-00-P3	FRONT FLASHER LIGHT ASSY 1	1	
2	4BH-83312-00	.LENS, flasher	1	
3	4BH-83313-00	.GASKET, flasher lens	1	
4	32H-83331-00	.BULB, flasher (12V-21W)	1	
5	97702-40125	.SCREW, tapping	1	
6	4BH-83320-00-P1	FRONT FLASHER LIGHT ASSY 2	1	UR DEEP RED COCKTAIL 2 UR DARK PURPLISH BLUE METALLIC 2
	4BH-83320-00-P3	FRONT FLASHER LIGHT ASSY 2	1	
7	4BH-83322-00	.LENS, flasher 2	1	
8	4BH-83313-00	.GASKET, flasher lens	1	
9	32H-83331-00	.BULB, flasher (12V-21W)	1	
10	97702-40125	.SCREW, tapping	1	
11	95701-05500	NUT, flange	2	
12	90183-04056	NUT, spring	2	



4BH332-3460

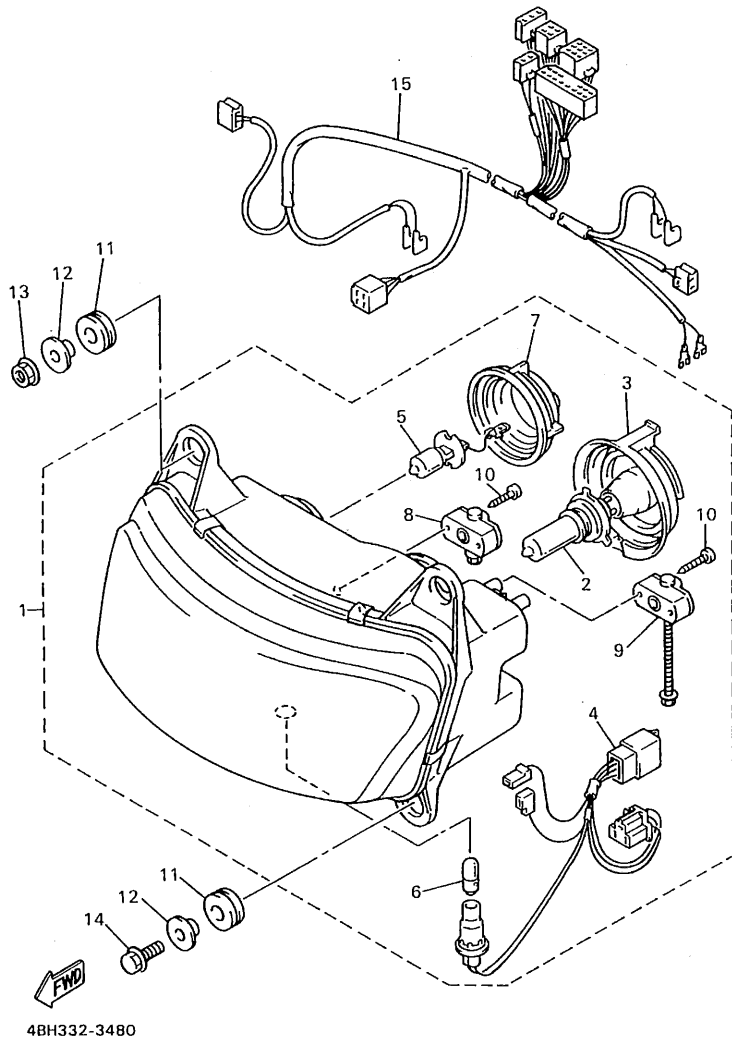
FIG. 47 METER



4BH351-4470

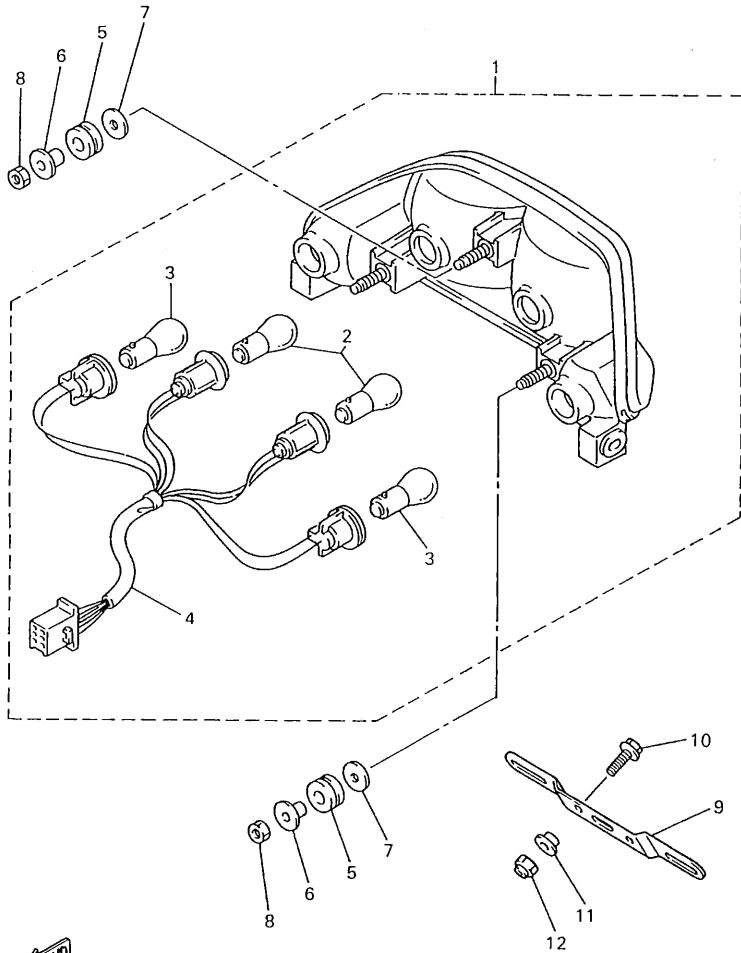
REF. NO.	PART NO.	DESCRIPTION	Q'TY	REMARKS
1	4BH-83500-00	SPEEDOMETER ASSY	1	
2	4BH-83570-00	.SPEEDOMETER ASSY	1	
3	4BH-83540-00	.TACHOMETER ASSY	1	
4	4BH-85750-00	.FUEL METER ASSY	1	
5	4BH-8353L-00	.REFLECTOR	1	
6	4BH-83511-00	.LENS, speedometer	1	
7	4BH-8353F-00	.CASE, meter lower	1	
8	4BH-83740-00	.DIGITAL CLOCK ASSY	1	
9	29L-83578-00	.KNOB, trip meter	2	
10	4BH-83509-00	.SOCKET CORD ASSY	1	
11	4G1-84744-00	.BULB (12V-3.4W)	8	
12	98580-03010	.SCREW, pan head	6	
13	92990-03100	.WASHER, spring	6	
14	90164-04005	.SCREW, tapping	4	
15	90167-04057	.SCREW, tapping	4	
16	90159-03102	.SCREW, with washer	3	
17	98580-04010	.SCREW, pan head	2	
18	92901-04100	.WASHER, spring	2	
19	92901-04600	.WASHER, plate	2	
20	97702-30512	.SCREW, tapping	2	
21	3GM-83517-00	.BULB (12V-1.7W)	5	
22	5J0-83513-00	DAMPER	3	
23	90201-106H5	WASHER, plate	3	
24	90179-06403	NUT	3	

FIG. 48 HEADLIGHT



REF. NO.	PART NO.	DESCRIPTION	Q'TY	REMARKS
1	4BH-84300-10	HEADLIGHT ASSY	1	
2	*	.BULB (12V-60/55W)	1	LM HALOGEN
3	36Y-84397-00	.COVER, socket	1	
4	4BH-84312-00	.SOCKET	1	
5	*	.BULB (12V-55W-H3)	1	LM HALOGEN
6	2JE-84744-00	.BULB (12V 5W)	1	
7	4BH-84178-00	.PLUG	1	
8	3LD-8430M-00	.GEAR UNIT ASSY	1	
9	4BH-8430M-00	.GEAR UNIT ASSY	1	
10	97706-40616	.SCREW, tapping	4	
11	90480-20564	GROMMET	4	
12	90387-084Y3	COLLAR	4	
13	95706-08500	NUT, flange	2	
14	95816-08025	BOLT, flange	2	
15	4BH-84359-00	CORD, headlight	1	

FIG. 49 TAILLIGHT

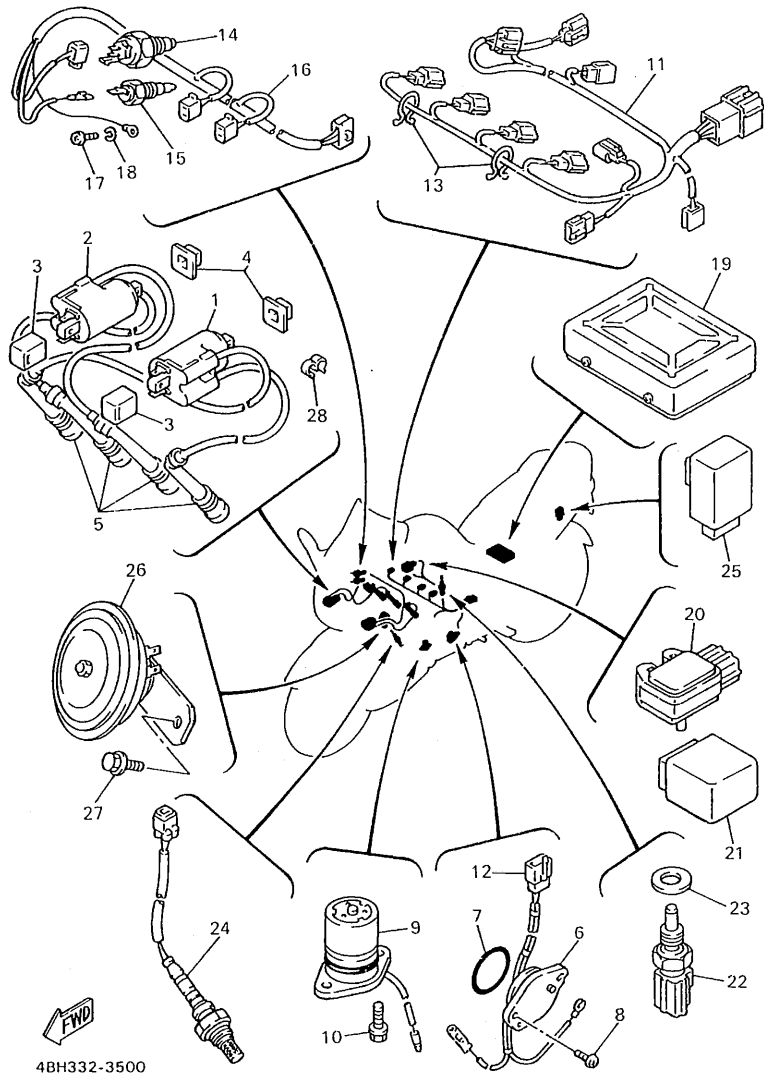


REF. NO.	PART NO.	DESCRIPTION	Q'TY	REMARKS
1	4BH-84710-00	TAILLIGHT UNIT ASSY	1	
2	31L-84714-00	.BULB, taillight (12V-21/5W)	2	
3	32H-83331-00	.BULB, flasher (12V-21W)	2	
4	4BH-84735-00	.CORD ASSY	1	
5	90480-18276	GROMMET	3	
6	90387-06033	COLLAR	3	
7	90201-063J2	WASHER, plate	3	
8	95380-06600	NUT	3	
9	3YF-84751-00	BRACKET, license	1	
10	95026-06012	BOLT, flange	2	
11	90387-07717	COLLAR	2	
12	95616-06100	NUT, u	2	



4BH351-4490

FIG. 50 ELECTRICAL 1

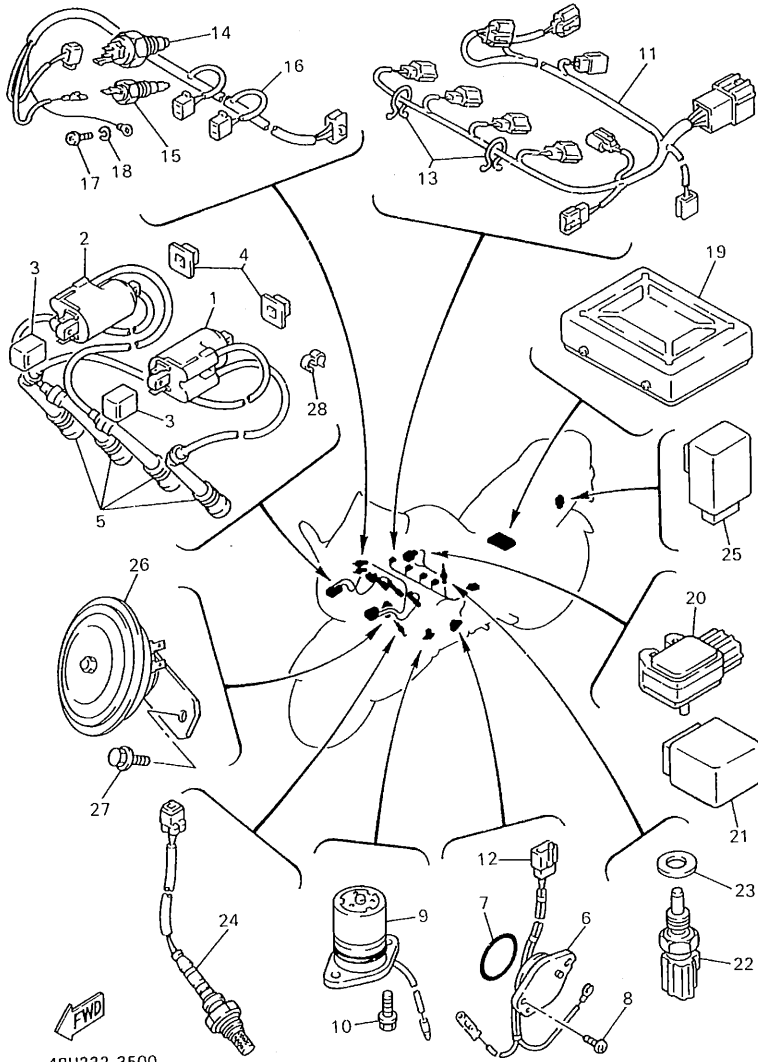


REF. NO.	PART NO.	DESCRIPTION	Q'TY	REMARKS
1	4BH-82310-00	IGNITION COIL ASSY	1	
2	4BH-82320-00	IGNITION COIL ASSY	1	
3	4BH-82317-00	DAMPER, ignition coil	2	
4	4U8-82317-00	DAMPER, ignition coil	2	
5	2KT-82370-00	PLUG CAP ASSY	4	
6	1AE-82540-00	NEUTRAL SWITCH ASSY	1	
7	93210-29196	O-RING	1	
8	98502-06016	SCREW, pan head	2	
9	3GM-85720-00	OIL LEVEL GAUGE ASSY	1	
10	95026-06016	BOLT, flange	2	
11	4BH-82580-00	WIRE HARNESS ASSY 2	1	
12	4BH-82541-00	WIRE, lead	1	
13	90464-16115	CLAMP	2	
14	2EL-82560-00	THERMO SWITCH ASSY	1	
15	3YX-82560-00	THERMO SWITCH ASSY	1	
16	4BH-82509-00	WIRE, sub lead	1	
17	98580-05008	SCREW, pan head	1	
18	92901-05100	WASHER, spring	1	
19	4BH-8591A-00	ENGINE CONTROL UNIT ASSY	1	UR
	4FV-8591A-00	ENGINE CONTROL UNIT ASSY	1	UR FOR SWITZERLAND/AUSTRIA
20	4BH-82380-00	SENSOR, pressure	1	
21	4BH-8235Y-00	DAMPER	1	
22	4BH-83591-00	THERMO UNIT	2	
23	90430-12202	GASKET	2	
24	4BH-8592A-00	SENSOR	1	
25	3YA-83350-00	FLASHER RELAY ASSY	1	OMRON
26	25G-83371-00	HORN	1	
27	95816-08012	BOLT, flange	1	

G3

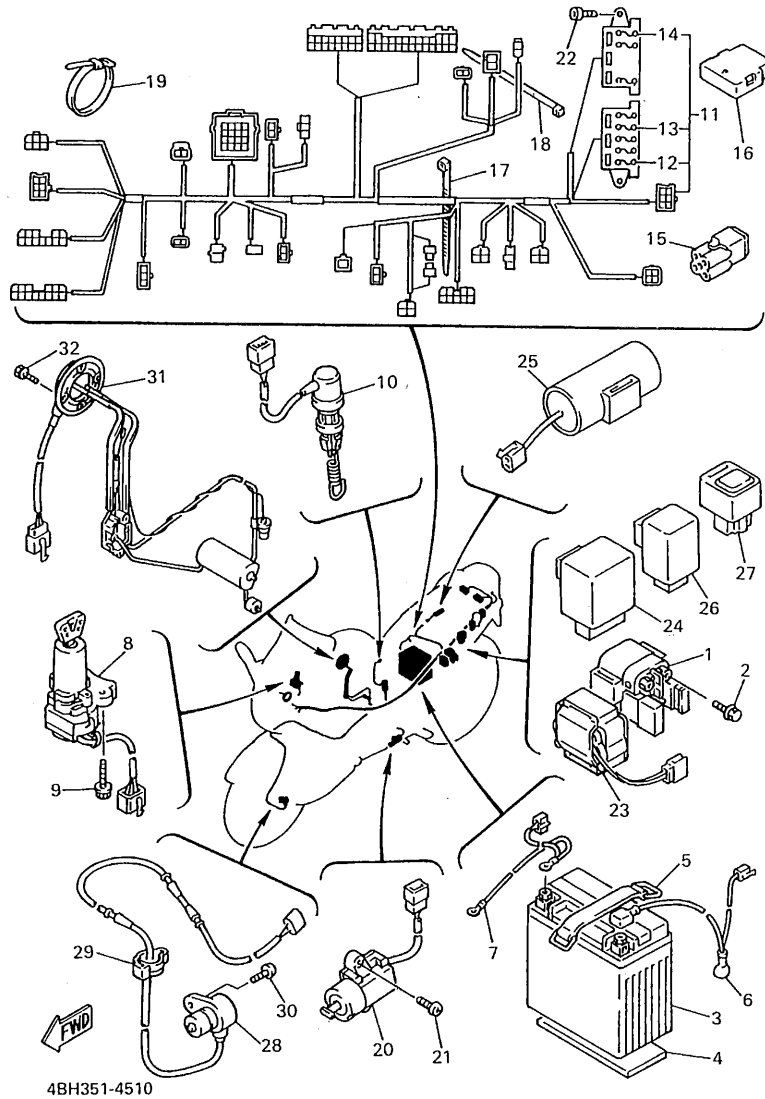
FIG. 50 ELECTRICAL 1

REF. NO.	PART NO.	DESCRIPTION	Q'TY	REMARKS
28	90464-10075	CLAMP	1	



FWD
48H332-3500

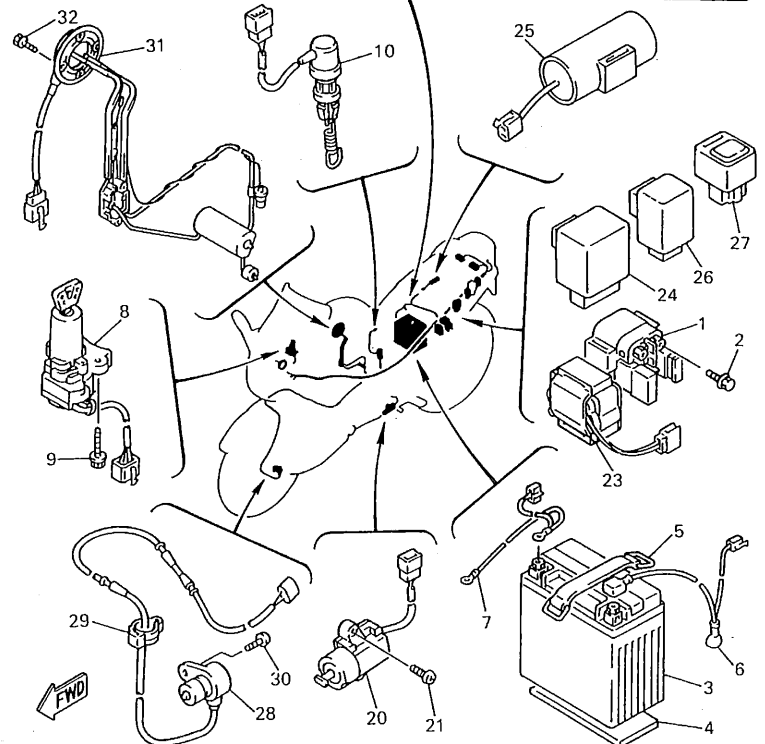
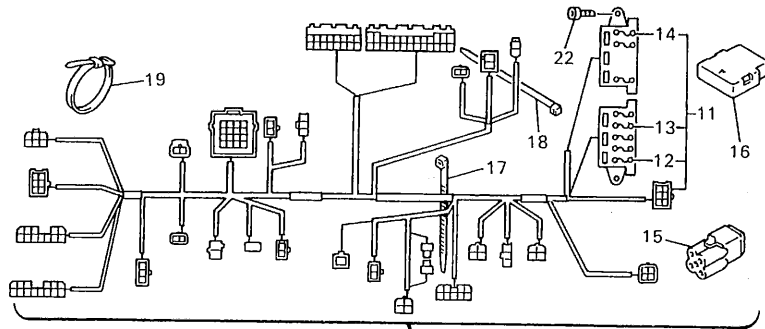
FIG. 51 ELECTRICAL 2



REF. NO.	PART NO.	DESCRIPTION	Q'TY	REMARKS
1	4BH-81940-00	STARTER RELAY ASSY	1	
2	95021-06008	BOLT, flange	2	
3	3XW-82100-00	BATTERY ASSY	1	
4	5X2-24183-00	DAMPER, locating 3	1	
5	2T4-82131-00	BAND, battery	1	
6	4BH-82115-00	WIRE, plus lead	1	
7	4BH-82116-00	WIRE, minus lead	1	
*8	4BH-82501-00	MAIN SWITCH STEERING LOCK	1	~ 4BH-035020 ~ 4FV-005002
	4BH-82501-10	MAIN SWITCH STEERING LOCK	1	4BH-035021 ~ 4FV-005003 ~
*9	90109-06614	BOLT	2	~ 4BH-035020 ~ 4FV-005002
	90109-080G5	BOLT	2	4BH-035021 ~ 4FV-005003 ~
10	4BH-82530-00	STOP SWITCH ASSY	1	
11	4BH-82590-00	WIRE HARNESS ASSY	1	
12	2GH-82151-00	.FUSE (20A)	2	
13	42X-82151-00	.FUSE (10A)	7	
14	1NL-82151-00	.FUSE	5	
15	3YA-82378-00	CONNECTOR	1	
16	4BH-87272-00	CAP	2	
17	90464-14117	CLAMP	4	
18	90465-13169	CLAMP	8	
19	5Y9-12491-00	CLAMP 1	2	
20	3LD-82566-40	SWITCH, side stand	1	
21	90157-05079	SCREW, pan head	2	
22	90109-060E9	BOLT	2	
23	4BH-82576-00	EMERGENCY STOP SWITCH ASSY	1	
24	2UJ-81950-00	RELAY ASSY	1	
25	1NL-81965-00	CONDENSER, smoothing	1	
26	4BH-8195A-00	RELAY ASSY	1	
27	25G-81950-01	RELAY ASSY	1	
28	4BH-85970-01	WHEEL SENSOR ASSY, front	1	

G5

FIG. 51 ELECTRICAL 2



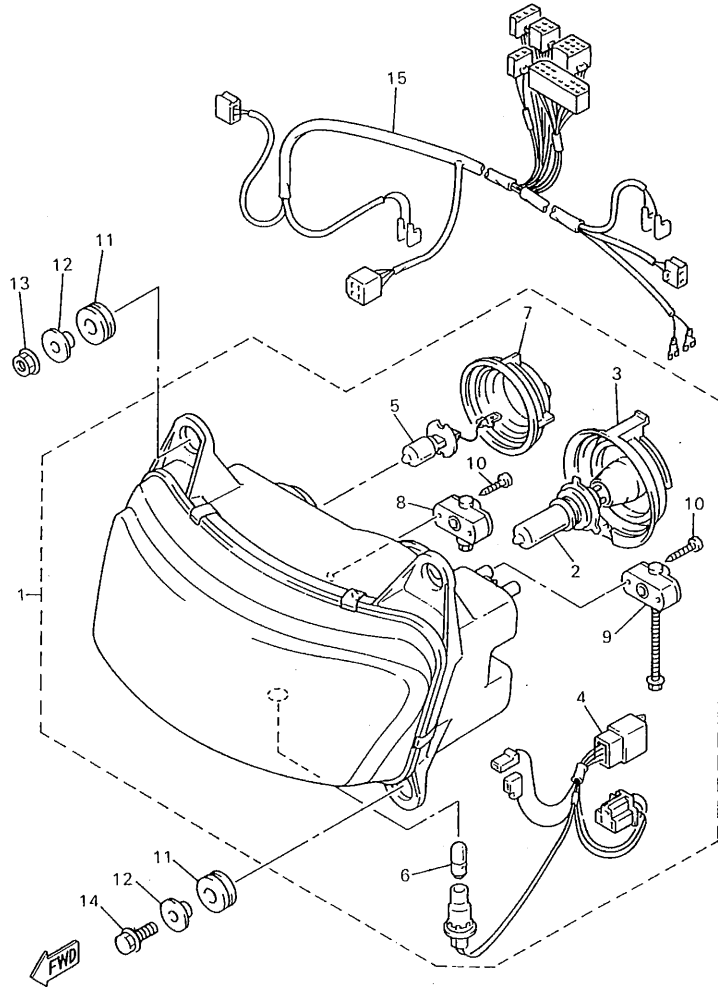
4BH351-4510

REF. NO.	PART NO.	DESCRIPTION	Q'TY	REMARKS
29	90465-14310	CLAMP	4	
30	90149-08297	SCREW	1	
31	4BH-85752-00	SENDER UNIT ASSY, fuel meter	1	
32	90119-05071	BOLT, with washer	4	

FOR IRELAND

The following pages provides a listing of only the parts that meet the specifications peculiar to your market. For those parts not appearing in these pages, refer to the "GENERAL SPEC" section.

FIG. 52 ALTERNATE (HEADLIGHT)



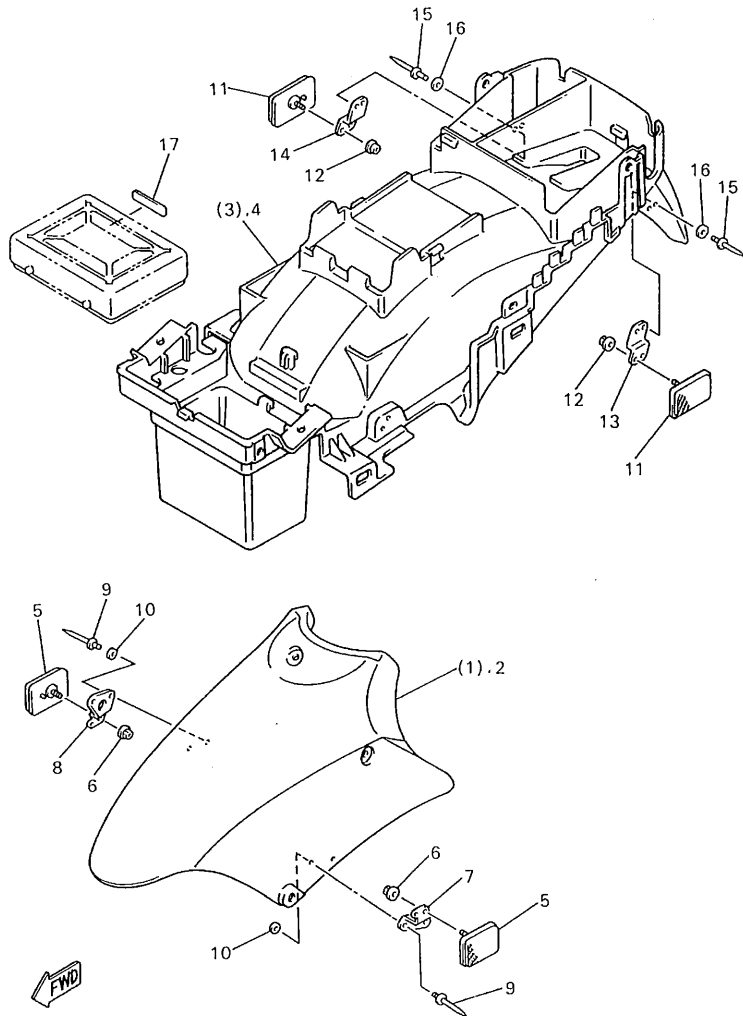
4BH332-3480

REF. NO.	PART NO.	DESCRIPTION	Q'TY	REMARKS
1	4BH-84300-20	HEADLIGHT ASSY	1	
2	2F9-84314-00	.BULB (12V-60/55W)	1	HALOGEN
3	36Y-84397-00	.COVER, socket	1	
4	4BH-84312-00	.SOCKET	1	
5	*	.BULB(12V-55W-H3)	1	LM HALOGEN
6	2JE-84744-00	.BULB (12V-5W)	1	
7	4BH-84178-00	.PLUG	1	
8	3LD-8430M-00	.GEAR UNIT ASSY	1	
9	4BH-8430M-00	.GEAR UNIT ASSY	1	
10	97706-40616	.SCREW, tapping	4	
11	90480-20564	GROMMET	4	
12	90387-084Y3	COLLAR	4	
13	95706-08500	NUT, flange	2	
14	95816-08025	BOLT, flange	2	
15	4BH-84359-00	CORD, headlight	1	

FOR AUSTRIA

The following pages provides a listing of only the parts that meet the specifications peculiar to your market. For those parts not appearing in these pages, refer to the "GENERAL SPEC" section.

FIG. 53 ALTERNATEE (CHASSIS)



48H300-3520

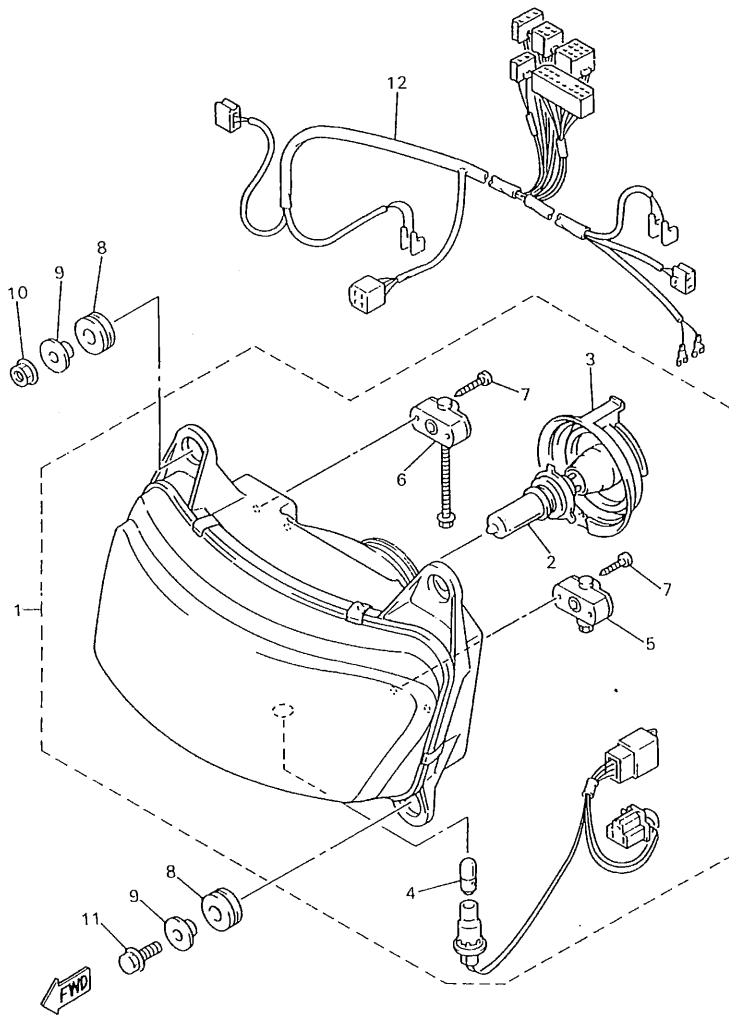
*For Convenience of reference:
Disregard the items asterisked (*) in the "QTY" column. These are intended
for GENERAL SPEC. and NOT for INDIVIDUSL SPEC.

REF. NO.	PART NO.	DESCRIPTION	Q'TY	REMARKS
1	4BH-21511-00-P2	FENDER, front	*	UR DEEP RED COCKTAIL 2
	4BH-21511-00-P4	FENDER, front	*	UR DARK PURPLISH BLUE METALLIC 2
2	4FV-21511-00-P0	FENDER, front	1	UR DEEP RED COCKTAIL 2
	4FV-21511-00-P2	FENDER, front	1	UR DARK PURPLISH BLUE METALLIC 2
3	4BH-21629-00	GUARD, mud	*	
4	4FV-21629-00	GUARD, mud	1	
5	23V-85110-00	REFLECTOR ASSY	2	
6	95701-05500	NUT, flange	2	
7	4FV-21587-00	STAY 1	1	
8	4FV-21588-00	STAY 2	1	
9	90267-40073	RIVET, blind	4	
10	90201-044A2	WASHER, plate	4	
11	23V-85110-00	REFLECTOR ASSY	2	
12	95701-05500	NUT, flange	2	
13	2LJ-21689-00	BRACKET, rear stay 2	1	
14	2LJ-21688-00	BRACKET, rear stay	1	
15	90267-40076	RIVET, blind	4	
16	90201-044A2	WASHER, plate	4	
17	4FV-13843-00	PLATE	1	

FOR SWITZERLAND

The following pages provides a listing of only the parts that meet the specifications peculiar to your market. For those parts not appearing in these pages, refer to the "GENERAL SPEC" section.

FIG. 54 ALTERNATE (HEADLIGHT)



4BH300-3530

REF. NO.	PART NO.	DESCRIPTION	Q'TY	REMARKS
1	4BH-84300-40	HEADLIGHT ASSY	1	
2	2F9-84314-00	.BULB (12V-60/55W)	1	HALOGEN
3	36Y-84397-00	.COVER, socket	1	
4	2JE-84744-00	.BULB (12V 5W)	1	
5	3LD-8430M-00	.GEAR UNIT ASSY	1	
6	4BH-8430M-00	.GEAR UNIT ASSY	1	
7	97706-40616	.SCREW, tapping	4	
8	90480-20564	GROMMET	4	
9	90387-084Y3	COLLAR	4	
10	95706-08500	NUT, flange	2	
11	95816-08025	BOLT, flange	2	
12	4BH-84359-00	CORO, headlight	1	

NUMERICAL INDEX

NUMERICAL INDEX

PART NO.	GRID NO.	PART NO.	GRID NO.	PART NO.	GRID NO.	PART NO.	GRID NO.	PART NO.	GRID NO.	PART NO.	GRID NO.
4BH-W0041-00	E -11	3GM-11416-30	B - 4	1HX-12169-N0	B - 6	4BH-13412-00	B -11	4BH-14204-00	C - 2	4BH-15461-00	C - 7
4BH-W0042-50	F - 3	3GM-11416-40	B - 4	1HX-12169-T0	B - 6	4BH-13414-00	B -13	4BH-14386-00	C - 2	4BH-15463-00	C - 7
4BH-W0045-01	E - 5	4H7-11456-00	C - 9	1HX-12169-11	B - 5	3FV-13416-01	B -13	4BH-14421-00	B -14	4CR-15467-00	C - 7
1FK-W0046-01	E - 8	4BH-11474-00	C - 9	1HX-12169-31	B - 5	4BH-13417-00	B -13	4BH-14425-00	C - 2	4H7-15486-00	C - 7
31A-W0047-00	E - 8	4BH-11603-00	B - 4	1HX-12169-50	B - 5	3FV-13440-00	B -13	4BH-14432-00	B -15	3GM-15512-00	C - 9
4BH-W0047-01	E - 5	4BH-11605-00	B - 4	1HX-12169-70	B - 6	3GM-13454-00	B -12	4BH-14437-00	B -15	4BH-15517-00	C - 9
1J3-W0048-00	E - 5	4BH-11631-00	B - 4	1HX-12169-90	B - 6	3VD-13455-00	B -13	4BH-14451-00	B -14	3GM-15519-00	C - 9
	E - 8	3GM-11633-00	B - 4	4BH-12171-00	B - 7	4BH-13470-00	B -13	4BH-14452-00	B -15	51Y-15521-00	C - 9
36Y-W0048-00	C -10	4BH-11636-00	B - 4	3GM-12176-00	B - 7	4BH-13475-00	B -12	4BH-14453-00	B -14	3GM-15522-00	C - 9
31A-W0057-00	E - 8	3GM-11650-01	B - 4	4BH-12181-00	B - 7	3KS-13490-00	B -13	4BH-14457-00	B -14	3GM-15524-00	C - 9
4BH-W0057-01	E - 5	12R-11654-00	B - 4	4BH-12210-00	B - 7	4BH-13532-00	C - 3	4BH-14465-00	B -15	3GM-15580-00	C - 9
3YX-W0091-02	E -11	3GM-11656-00	B - 4	4BE-12213-00	B - 7	4BH-13533-00	C - 3	4BH-14592-00	C - 2	1J7-15583-01	C - 9
26H-W0098-00	C -10	3GM-11656-10	B - 4	2GH-12241-00	B - 7	4BH-13534-00	C - 3	4BH-14610-00	C - 4	3GM-15689-00	C - 9
3GM-W0099-00	E -13	3GM-11656-20	B - 4	3GM-12251-00	B - 7	4BH-13535-00	C - 3	3YF-14613-01	C - 4	3GM-16150-01	C -10
4BH-W1441-00	B -14	3GM-11656-30	B - 4	3GM-12252-00	B - 7	4BH-13542-00	C - 3	4BH-14620-00	C - 4	1AE-16154-00	C -10
2GH-W1741-00	C -11	3GM-12111-00	B - 5	4BH-1240A-00	B - 9	4BH-13544-00	C - 3	4BH-14630-00	C - 4	4H7-16155-01	C - 9
3GM-W1742-00	C -11	3GM-12112-00	B - 5	4BH-12405-00	B - 9	4BH-13556-01	B -14	4BH-14650-00	C - 4	1AE-16164-00	C -10
4BH-W2356-00	E - 4	3GM-12113-00	B - 5	3GM-12410-00	B - 9	4BH-13573-00	C - 3	4BH-14710-00	C - 4	3GM-16521-00	C -10
3GM-W2585-20	E -13	4BH-12114-00	B - 5	3GM-12413-00	B - 9	1AE-13575-00	B -14	4BH-14714-00	C - 4	31A-16321-00	C -10
4BH-W2587-01	E -11	3GM-12116-00	B - 5	3GM-12417-00	B - 9	4BH-13586-00	B -14	4BH-14730-00	C - 4	4H7-16321-01	C -10
4BH-Y2165-00-P2	D - 8	1WG-12117-00	B - 5	1UF-12421-00	B - 8	4BH-13596-00	B -14	3HE-14755-00	C - 4	31A-16325-00	C -10
4BH-Y2165-50-P4	D - 8	3GM-12117-00	B - 5	4BH-12422-00	B - 8	2LM-13597-00	B -14	4BH-1490K-00	C - 2	3GM-16351-00	C -10
4BH-Y2171-40-P2	D - 8	1WG-12118-00	B - 5	11H-12438-00	B - 8	4BH-13597-00	B -14	256-14919-00	C - 2	1LJ-16356-00	C -10
4BH-Y2171-80-P4	D - 8	1WG-12119-00	B - 5	1AE-12439-00	B - 8	4BH-13598-00	B -14	4BH-14938-00	C - 2	1AE-16357-00	C -10
4BH-Y2172-40-P2	D - 8	3GM-12121-00	B - 5	1UF-12450-00	B - 8	4BH-13750-00	C - 2	4BH-14987-00	B -14	4BH-16371-01	C -10
4BH-Y2172-80-P4	D - 8	3GM-12126-00	B - 5	22W-12462-00	B - 9	4BH-13751-00	C - 2	3GM-15100-52	C - 5	1TV-16381-10	C -10
4BH-11102-00	B - 2	1WG-12153-09	B - 6	3DX-12469-00	B - 8	4BH-13752-00	C - 2	2TK-15105-00	C - 6	2GH-17121-00	C -11
2GH-1111G-00	B - 2	1WG-12153-21	B - 6	4BH-12481-01	B - 8	4BH-13753-00	C - 2	2GH-15123-00	B -11	2GH-17131-00	C -11
3GM-11133-10	B - 2	2NK-12153-02	B - 6	4BH-12482-00	B - 8	4BH-13754-00	C - 2	1AE-15124-00	B -11	2GH-17141-00	C -11
3GM-11134-10	B - 2	2NK-12153-09	B - 6	5Y9-12491-00	G - 5	4BH-13761-00	C - 3	2GH-15133-00	B -11	2GH-17151-00	C -11
4BH-1115A-00	B - 2	1HX-12168-A0	B - 5	4BH-12576-00	B - 9	4BH-13764-00	C - 2	4H7-15189-00	C - 6	2GH-17211-00	C -11
4BH-11166-00	C - 5	1HX-12168-F0	B - 5	4BH-12577-00	B - 9	4BH-13766-00	C - 3	1AE-15316-00	C - 7	3GM-17221-00	C -11
3GM-11181-00	B - 3	1HX-12168-H1	B - 5	4BH-12578-00	B - 9	4BH-13769-00	C - 3	3GM-15346-00	C - 7	3GM-17231-00	C -11
3GM-11182-00	B - 2	1HX-12168-K1	B - 5	4BH-12579-00	B - 9	4FV-13843-00	G -10	2H7-15361-00	C - 5	3GM-17241-00	C -11
4BH-11191-00	B - 2	1HX-12168-M1	B - 5	4BH-12588-00	B - 9	4BH-13906-00	C - 3	3F9-15362-00	C - 7	3GM-17251-00	C -11
3GM-11193-00	B - 2	1HX-12168-R1	B - 5	4BH-12589-00	B - 9	4BH-13907-00	E - 2	3FV-15363-00	C - 5	278-17424-01	C -12
214-11198-01	B -13	1HX-12168-U1	B - 5	2GH-1316E-00	B -11	4BH-13915-00	C - 2	3GM-15373-00	B -13	2GH-17460-11	C -11
3GM-11310-00	B - 3	1HX-12168-W1	B - 5	4BH-1316F-00	B -11	4BH-13938-00	C - 2	1AE-15381-00	C - 9	1AE-18101-01	C -14
3GM-11351-00	B - 3	1HX-12168-Y1	B - 5	4BH-1316G-01	B -11	4BH-13939-00	E - 2	1AE-15383-00	C - 6	4BH-18110-00	C -14
4BH-11411-00	B - 4	1HX-12168-00	B - 5	3GM-13161-00	B -13	4BH-13971-00	C - 3	3GM-15410-00	C - 7	4BH-18112-00	C -14
2GH-11416-00	B - 4	1HX-12168-20	B - 5	3GM-13174-00	B -13	4BH-13972-00	C - 3	3GM-15416-00	C - 7	132-18113-01	C -14
2GH-11416-10	B - 4	1HX-12168-40	B - 5	3GM-13181-00	B -11	4BH-13973-00	C - 3	3GM-15417-00	C - 7	2H9-18115-00	C -14
2GH-11416-20	B - 4	1HX-12168-60	B - 5	3GM-13191-00	B -11	4BH-13995-00	E - 2	4BH-15421-00	C - 7	4G0-18127-00	C -14
2GH-11416-30	B - 4	1HX-12168-80	B - 5	1AE-13300-00	B -11	4BH-14103-00	C - 2	3GM-15427-00	C - 7	36Y-18140-00	C -13
2GH-11416-40	B - 4	1HX-12169-E0	B - 6	2GH-13329-00	B -11	4BH-14105-00	C - 2	2GH-15435-00	C - 7	2H9-18154-00	C -14
3GM-11416-00	B - 4	1HX-12169-G0	B - 6	3GM-13337-00	B -13	22F-14117-00	C - 2	3GM-15449-00	C - 7	2GH-18511-00	C -13
3GM-11416-10	B - 4	1HX-12169-J0	B - 6	3TJ-13340-00	B -13	1HX-14131-00	C - 2	4BH-15451-00	C - 7	2GH-18512-00	C -13
3GM-11416-20	B - 4	1HX-12169-L0	B - 6	4BH-13411-00	B -11	820-14137-00	C - 2	1AE-15456-00	C - 7	2GH-18513-00	C -13

NUMERICAL INDEX

PART NO.	GRID NO.	PART NO.	GRID NO.	PART NO.	GRID NO.
4BH-18531-00	C-13	2LJ-21688-00	G-10	4BH-22819-00	D-10
1AE-18536-00	C-13	2LJ-21689-00	G-10	4BH-23113-00	D-14
4BH-18540-00	C-13	4BH-2170F-00-6M	D-6	4BH-23123-00	D-14
278-18542-00	C-13	4BH-2170F-00-7B	D-6	4BH-23132-00	D-14
278-18566-00	C-13	4BH-21708-01	D-6	4BH-23133-00	D-14
4BH-21101-01	D-2	4BH-2171L-00	D-4	4BH-23165-00	D-14
4BH-21102-00-P1	C-15	4BH-2172A-00	D-8	4BH-23317-00	D-12
4BH-21110-10-P0	C-15	4BH-2172K-00	D-6	4BH-2332U-00	D-12
4BH-21140-00-35	C-15	4BH-2172L-00	D-6	4BH-23338-00	D-12
4BH-21150-00-35	C-15	4BH-2172M-00	D-6	4BH-23339-00	D-12
4BH-2117E-00	D-4	4BH-2172N-00	D-7	4BH-23340-00	E-9
4BH-2117F-00-P1	C-15	4BH-2172X-00-P2	D-9	4BH-23346-00	D-14
4BH-21183-00	D-2	4BH-2172X-00-P4	D-9	4BH-23350-01-93	D-14
4BH-21190-00	D-2	1JK-21735-00	F-4	4BH-23364-00	D-13
1JK-21268-00	D-8	4BH-21737-00	D-8	4BH-23366-00	D-14
3YF-21268-00	F-4	4BH-21746-00	D-7	4BH-23367-00	D-14
46X-21699-00	D-3	4BH-2175V-00	D-6	4BH-23392-00	D-12
	D-8	4BH-2175W-00	D-6	3HE-23416-00	E-9
	C-15	4U5-2176E-00	F-5	3YF-23418-00	E-9
4BH-21315-00	D-2	4BH-2177A-00	D-6	4BH-23418-00	D-13
4BH-21345-00	D-2	4BH-2177E-00-6M	D-6	4BH-23435-00-P1	E-9
4BH-21348-00	D-4	4BH-2177E-00-7B	D-6	4BH-23451-00	D-13
4BH-2139A-00	D-4	4BH-2177J-00-6M	D-6	4BH-23452-00	D-10
34M-2139X-00	F-4	4BH-2177J-00-7B	D-6	164-23462-00	E-9
4BH-21423-00	D-2	3TU-2178A-00	D-8	341-23469-00	E-9
3TJ-21459-00	C-15		D-9	4BH-23512-10-P1	D-12
4X7-2149Y-00	B-14		F-5	4BH-23526-00	D-12
4BH-21511-00-P2	D-3		F-7	4BH-2353A-00	D-12
4BH-21511-00-P4	D-3		D-6	4BH-23530-00	D-12
4FV-21511-00-P0	G-10	4BH-2178L-00	D-6	4BH-23540-00-33	D-12
4FV-21511-00-P2	G-10	4BH-21781-40	D-8	4BH-23549-00	D-12
4BH-21513-00	D-3	4BH-21871-00	B-10	4BH-23570-02-P1	D-14
4BH-21556-00	D-3	1AA-21874-00	B-10	4BH-23579-00	D-14
4FV-21587-00	G-10	4LO-21875-00	B-10	4BH-23741-00	D-12
4FV-21588-00	G-10	4BH-21877-00	B-10	4BH-23815-00	D-14
4BH-21596-00	D-3	4BH-22110-00-P1	D-10	4BH-23815-00	D-14
4BH-21629-00	D-4	4BH-22127-00	D-10	4BH-2384G-00	D-14
4FV-21629-00	G-10	4BH-22128-00	D-10	4BH-2384H-00	D-14
34M-21639-00	C-2	4BH-22141-00	D-10	4BH-2384L-00	D-13
4BH-21639-00	D-8	4BH-22151-00	D-10	4BH-2384R-00	D-12
4G0-21639-00	D-4	4BH-2217A-00	D-10	4BH-23873-00	D-14
4BH-2164F-00	D-4	4BH-2217M-00	D-10	4BH-23875-00	D-14
4BH-2164G-00	D-4	4BH-22184-00	D-10	4BH-24110-00	E-2
4BH-21644-00-P2	D-4	4BH-2219X-00	D-10	4BH-24119-00	D-12
4BH-21644-00-P4	D-4	4BH-22210-01	D-11	4BH-2414A-00	D-6
4BH-21645-00-P2	D-4	3BB-22261-00	B-9	4BH-2414G-00	E-2
4BH-21645-00-P4	D-4	4BH-22261-01	D-15	25H-24180-00	E-2
4BH-21649-00	D-8	4BH-22276-00	D-15	4BH-24181-00	E-2
4BH-21650-00	D-4	4BH-22311-00	D-4	4BH-24183-00	E-2

NUMERICAL INDEX

PART NO.	GRID NO.	PART NO.	GRID NO.	PART NO.	GRID NO.
5X2-24183-00	G-5	1FK-25828-00	E-8	3XW-26282-01	E-9
3VD-24188-00	E-2	3YX-2583H-00	E-11	4BH-26290-10	F-5
4BH-24366-00	E-2	4BH-2583V-00	F-3	4BH-26290-20	F-5
4BH-24376-00	D-6	41Y-25836-00	E-8	4BH-26302-00	E-9
3HE-24602-00	E-2	3YX-25838-00	E-11	3GM-26455-00	E-13
4BH-2470F-00	E-3	4BP-2585F-00	F-3	3GM-26464-00	E-13
4BH-2470F-10	E-3	3LN-2585G-00	F-3	4BH-26470-00	E-13
4BH-24705-00	E-3	2KF-25852-50	F-3	4BH-27111-01	F-2
4BH-24718-00	E-3	4BH-25852-00	E-11	12B-27114-00	E-14
4BH-24730-00	E-3	360-25854-00	F-3	2GM-27114-00	F-2
4BH-24730-10	E-3	4BH-25854-01	E-11	4BH-27115-00	F-2
1T4-24741-00	E-3	55U-25854-00	E-13	4BH-27151-00	F-2
22W-24741-00	E-3	2GU-25855-00	F-3	4BH-27152-00	F-2
4BH-24776-00	E-3	4LO-25862-00	E-11	4BH-27211-00	E-14
4BH-2478F-00	E-3	3YX-25866-00	E-11	4BH-27212-00	E-15
51Y-24796-00	E-3	3YX-25866-10	E-11	31A-27222-00	F-3
4BH-2512A-00	E-4	56A-25867-00	E-11	4BH-27311-00	E-14
4BH-25146-00	E-4		E-13	2KT-27315-00	E-14
4BH-25160-00-P1	E-4	4BH-2587A-00	E-12	1TX-27351-00	E-14
4FE-2517G-00	E-4	3SD-25870-11	E-13	4BH-2741L-00	E-15
4BH-25338-00-P1	E-6	4BH-25871-00	E-11	4BH-27410-00	E-14
2GH-25364-00	E-6	4BH-25872-00	E-11	3YX-27413-00	E-14
36Y-25366-01	E-6	4BH-25873-00	E-11		E-15
36Y-25377-00	E-6	4BH-25875-00	E-12	2H7-27414-00	E-15
3GM-25381-00	E-6	3YX-25880-00	E-11	4BH-27420-00	E-14
3GM-25388-00	E-6	341-25881-00	E-11	4FU-27424-00	C-15
3GM-25389-00	E-6	4BH-25886-00	F-3	4BH-27430-00	E-15
29L-25398-00	E-6	4BH-25886-10	F-3	4BP-27434-00	E-14
29L-25398-10	E-6	4BH-25887-00	E-12	3HE-27435-00	E-14
29L-25398-20	E-6	3YX-2589F-00	E-11	1HX-27437-00	E-15
4BH-25398-30	E-4	47X-25894-00	F-3	4BH-27440-00	E-15
4BH-25398-40	E-4	4BH-25895-00	F-3	4BH-27442-00-P1	E-14
4BH-25398-50	E-4	26H-25919-00	E-8	4BH-27443-00-P1	E-14
4BH-25398-60	E-4	4BH-25919-01	E-5	3MA-27491-00	D-9
4BH-25398-70	E-4	3HE-25924-00	E-8		F-4
4BH-25398-80	E-4	4BH-25924-00	E-5	4BH-28100-01	D-5
2GH-25445-20	E-6	3HE-25925-00	E-8	4BH-28218-00	F-5
2GH-25447-21	E-6	3MA-25925-00	E-5	4BH-28228-00	F-6
4BH-2580T-02	E-5	4BH-26111-00	E-9	4BH-28238-00	F-6
4BH-2580W-00	E-8	4BH-26112-00	E-9	4BH-2831W-00	F-5
4BH-2581T-01	E-5	4BH-2612F-00	E-9	4BH-28315-20	F-6
4BH-25815-00	E-11	4BH-26131-00	E-9	4BH-28315-40	F-6
4BH-25819-00	E-8	3KF-26240-00	E-9	4BH-2832M-00	F-7
4BP-2582A-00	F-3	1GH-26241-00	E-9	4BH-2832M-10	F-7
4BH-2582J-00	F-3	4BH-26246-00	E-9	4BH-2832N-00	F-7
4BH-2582W-00	E-8	4BH-26280-10	F-5	4BH-2832N-10	F-7
1FK-25827-00	E-8	4BH-26280-20	F-5	4BH-2832W-00	F-5
4BH-25827-01	E-5	3XW-26281-01	E-9	4BH-28321-00	F-7

NUMERICAL INDEX

NUMERICAL INDEX

PART NO.	GRID NO.	PART NO.	GRID NO.	PART NO.	GRID NO.	PART NO.	GRID NO.	PART NO.	GRID NO.	PART NO.	GRID NO.
4BH-28328-20	F - 9	4BH-2848L-00	F - 9	4BH-82501-00	G - 5	4BH-8430M-00	G - 8	90105-10308	E - 8	90119-06192	B - 10
4BH-28328-30	F - 9	4BH-2848M-00	F - 9	4BH-82509-00	G - 3		G-12	90105-10316	C - 4	90119-08113	D - 2
4BH-28336-00	F - 4	4BH-2848N-00	F - 9	4BH-82530-00	G - 5	4BH-84300-10	F - 15	90105-10401	C-15	90149-05299	F - 9
4BH-28338-00	F - 8	4BH-81600-00	F - 10	1AE-82540-00	G - 3	4BH-84300-20	G - 8	90105-10433	D - 2	90149-06194	F - 4
4BH-28338-20	F - 8	4BH-81604-00	F - 10	4BH-82541-00	G - 3	4BH-84300-40	G-12	90105-10451	C-15	90149-06287	E-13
3CV-2834H-01	F - 5	3FV-81619-00	F - 10	2EL-82560-00	G - 3	4BH-84312-00	F - 15		D-13	90149-06302	C-15
4BH-2834N-00	F - 5	4BH-81634-00	F - 10	3YX-82560-00	G - 3		G - 8	90105-10480	C - 15	90149-08297	G - 6
4BH-2834R-00	F - 5	36Y-81638-50	F - 10	3LD-82566-40	G - 5	2F9-84314-00	G - 8	90105-10678	C-15	90150-05023	F - 4
4BH-28341-00	F - 8	2KT-81642-50	F - 10	4BH-82576-00	G - 5		G-12		E - 14	90150-06031	D - 14
3EN-28345-50	D-15	4BH-81643-00	F - 10	4BH-82580-00	G - 3	4BH-84359-00	F - 15	90105-12689	E - 5	90150-08034	F - 3
	F - 5	4BH-81643-10	F - 10	4BH-82590-00	G - 5		G - 8	90109-060E9	G - 5	90151-06014	C - 6
36Y-28348-00	F - 5	3FV-81645-00	F - 10	12R-82591-00	D-13		G-12	90109-063F8	C-13	90152-06014	C - 7
4BH-2835J-00-P1	F - 7	4BH-81645-00	F - 10	4BH-83310-00-P1	F-13	36Y-84397-00	F - 15	90109-064F0	B - 2	90152-06024	C - 7
4BH-2835J-00-P3	F - 7	4BH-81660-00	F - 10	4BH-83310-00-P3	F-13		G - 8	90109-06468	E - 14	90154-05013	D - 6
4BH-2835K-00-P1	F - 7	4BH-81670-00	F - 11	4BH-83312-00	F-13		G-12	90109-065A8	B - 7		F - 4
4BH-2835K-00-P3	F - 7	3XF-81800-00	F - 12	4BH-83313-00	F - 13	4BH-84710-00	G - 2	90109-06614	G - 5		F - 6
4BH-2835U-00	F - 8	2KT-81815-00	F - 12	4BH-83320-00-P1	F - 13	31L-84714-00	G - 2	90109-085E2	D - 4		F - 7
4BH-2835V-00	F - 8	3HE-81826-00	F - 12	4BH-83320-00-P3	F - 13	4BH-84735-00	G - 2	90109-087F9	D-12		F - 9
4BH-28350-00-P1	F - 4	3KS-81840-00	F - 12	4BH-83322-00	F - 13	2JE-84744-00	F - 15	90109-08718	E - 8	90154-05002	D - 14
4BH-28350-00-P3	F - 4	11H-81844-00	F - 12	32H-83331-00	F - 13		G - 8	90109-08789	E - 5	90157-05057	E - 10
4BH-28358-00	F - 4	26H-81847-00	F - 12		G - 2		G-12	90109-100E6	F - 2	90157-05079	G - 5
4BH-2836A-00	F - 9	36Y-81910-50	F - 10	3YA-83350-00	G - 3	4G1-84744-00	F - 14	90109-101F1	D - 10	90157-06104	C - 7
4BH-2836E-00	F - 9	4BH-81940-00	G - 5	25G-83371-00	G - 3	3YF-84751-00	G - 2		D-11	90159-03102	F - 14
4BH-2836K-00	F - 5	4BH-8195A-00	G - 5	4BH-83500-00	F - 14	23V-85110-00	G - 10	90109-106F7	D - 15	90159-05122	E - 14
4BH-2836L-00	F - 5	2UJ-81950-00	G - 5	4BH-83509-00	F - 14	3GM-85720-00	G - 3	90109-107F8	E - 14		E - 15
4BH-2836M-00	F - 5	25G-81950-01	G - 5	4BH-83511-00	F - 14	4BH-85750-00	F - 14	90109-112F1	B - 7	90159-06056	F - 3
4BH-2836N-00	F - 5	1NL-81965-00	G - 5	5J0-83513-00	F - 14	4BH-85752-00	G - 6	90110-05201	F - 7	90159-06071	D - 5
4BH-2836R-00	F - 5	4BH-81970-00	F - 10	3GM-83517-00	F - 14	4BH-85885-00	C - 2	90110-06145	C - 3	90159-06093	F - 8
4BH-2836T-00	F - 7	4BH-81972-00	F - 10	4BH-8353F-00	F - 14	4BH-8591A-00	G - 3	90110-06200	D - 3	90159-06108	D - 10
4BH-28365-00	F - 4	3XW-82100-00	G - 5	4BH-8353L-00	F - 14	4FV-8591A-00	G - 3	90110-06202	F - 7	90159-06123	C - 10
4BH-28366-00	F - 5	4BH-82115-00	G - 5	4BH-83540-00	F - 14	4BH-8592A-00	G - 3		F - 9	90164-04005	F - 14
4BH-28367-00	F - 5	4BH-82116-00	G - 5	4BH-83570-00	F - 14	4BH-85970-01	G - 5	90110-08071	E - 14	90167-04057	F - 14
4BH-28376-00	F - 6	5G7-82121-00	F - 7	29L-83578-00	F - 14	4BH-87272-00	G - 5		E - 15	90170-06228	C - 14
4BH-28379-00	D - 6	5Y1-82122-00	D - 5	4BH-83591-00	G - 3	90101-06576	C - 4	90110-08177	C - 9	90170-18412	D - 13
4BH-2838G-00	F - 8	2T4-82131-00	D - 4	4BH-83740-00	F - 14	90101-06757	E - 9	90110-10218	C - 15	90170-20327	C - 10
4BH-2838N-00	F - 7		G - 5	3GM-83912-00	E - 14	90101-08705	E - 6	90110-10219	C - 15	90170-24373	E - 4
4BH-2838R-00	F - 7	26H-82131-00	D - 4	3YX-83922-09	E - 11	90101-10659	D - 10	90116-10485	E - 6	90171-18051	E - 6
4BH-28381-00	F - 4	1NL-82151-00	G - 5	437-83936-11	C - 3	90101-12749	D - 10	90116-10531	C - 5	90176-10049	B - 2
4BH-28381-10	F - 4	2GH-82151-00	G - 5	4BH-83969-00	E - 9	90105-06153	B - 2	90116-10532	C - 5	90176-22050	E - 9
4BH-28385-00-6M	F - 9	42X-82151-00	G - 5	4BH-83975-00	E - 9	90105-06541	B - 2	90116-10569	C - 5	90179-05523	D - 14
4BH-28385-00-7B	F - 9	4BH-82310-00	G - 3	3GM-83980-00	E - 13	90105-06697	D - 14	90116-10576	C - 5		F - 4
4BH-2839K-00	F - 6	4BH-82317-00	G - 3	4BH-83980-00	E - 11	90105-07342	B - 7	90119-05071	E - 2		F - 9
4BH-2839L-00-6M	F - 9	4U8-82317-00	G - 3	4BH-84178-00	F - 15	90105-09373	C - 5		G - 6	90179-06403	F - 14
4BH-2839L-00-7B	F - 9	4BH-82320-00	G - 3		G - 8	90105-09555	C - 5	90119-06044	D - 5	90179-08327	B - 4
4BH-28395-00-6M	F - 9	4BH-8235Y-00	G - 3	3LD-8430M-00	F - 15	90105-09580	C - 5	90119-06060	F - 4	90179-08410	C - 4
4BH-28395-00-7B	F - 9	2KT-82370-00	G - 3		G - 8	90105-10044	C-15	90119-06061	D - 3	90179-10247	C-15
4BH-28396-00	F - 8	3YA-82378-00	G - 5		G-12	90105-10188	F - 2	90119-06108	D - 3		F - 2
4BH-28397-00	F - 8	4BH-82380-00	G - 3	4BH-8430M-00	F - 15	90105-10285	D - 2	90119-06163	F - 4	90179-10584	B - 2

NUMERICAL INDEX

PART NO.	GRID NO.	PART NO.	GRID NO.
90179-10590	C-15	90201-112R5	C-15
90179-12262	F-4	90201-120A5	D-13
90179-18020	C-12		D-14
90179-25615	E-9	90201-12575	C-14
90183-03010	D-8	90201-126A7	D-10
90183-04005	D-8	90201-127J6	E-14
90183-04056	F-13	90201-150H2	C-10
90183-05024	F-4	90201-161J3	D-15
	F-5	90201-177M0	D-14
	F-6	90201-182R4	D-14
	F-7	90201-18264	E-6
	F-9	90201-200K3	C-11
	F-4	90201-225R0	D-10
	F-7	90202-05180	F-7
90183-05061	F-8	90202-06113	F-9
90183-06023	D-9	90202-26142	D-8
90183-06053	D-4	90209-06096	E-9
	F-4	90209-08295	C-7
90185-10037	E-14		E-14
90185-10060	D-10		E-15
90185-10091	F-2	90209-11262	B-2
90185-12119	D-10	90209-22191	C-11
	D-13	90209-25196	C-11
90185-20160	D-10	90215-20231	C-10
90201-04325	D-4	90215-21022	C-11
90201-044A2	G-10	90240-08013	F-3
90201-044H9	D-4	90267-40073	G-10
90201-061M7	B-11	90267-40076	G-10
90201-063J2	B-9	90267-40105	D-4
	G-2	90267-48162	D-4
90201-06643	C-13	90334-08234	C-15
90201-06697	F-7	90340-14068	C-6
90201-08083	F-3	90340-18101	B-2
90201-08085	D-12	90380-20213	E-14
90201-08087	C-5	90387-05383	C-5
90201-08326	E-14	90387-06033	G-2
90201-08612	E-2	90387-062M9	D-5
90201-096J9	C-5	90387-06380	E-2
90201-101J1	D-13	90387-064H8	E-15
90201-10118	E-12	90387-066Y6	F-7
	E-13	90387-067K6	F-4
	F-3	90387-067N5	F-9
90201-103M4	B-2	90387-06704	D-10
90201-10437	D-10	90387-06737	D-5
	D-15	90387-0702E	D-3
90201-105A2	D-13	90387-0702H	D-3
90201-106H5	F-14	90387-07037	B-9
90201-10669	C-4	90387-07717	D-4

PART NO.	GRID NO.	PART NO.	GRID NO.
90387-07717	G-2		
90387-0801N	E-2		
90387-081F5	F-4		
90387-083R4	D-2		
90387-084Y3	F-15		
	G-8		
	G-12		
90387-100T8	D-10		
90387-102T0	D-11		
90387-10636	E-15		
90387-114K8	C-14		
90387-115V8	C-15		
90387-120Y8	D-15		
90387-1200E	D-13		
90387-124W2	F-9		
90387-126Y1	D-8		
90387-203M7	E-9		
90387-203X0	C-7		
90387-206Y4	E-14		
90387-211T9	E-15		
90387-22660	B-2		
90387-253M6	C-11		
90387-255V9	C-11		
90387-271T7	C-11		
90387-281T8	C-11		
90401-10044	B-11		
90401-10096	B-11		
	E-11		
	E-13		
	F-13		
	C-3		
	B-2		
	B-3		
	B-8		
	B-14		
	B-11		
	G-3		
	C-3		
	B-14		
	B-9		
	E-2		
	B-14		
	D-6		
	E-2		
	E-15		
	B-14		
	D-15		
	E-2		

PART NO.	GRID NO.	PART NO.	GRID NO.
90462-08158	C-6		
90462-08184	C-6		
90464-10075	C-4		
90464-12089	D-15		
90464-13073	B-10		
	E-10		
90464-14117	G-5		
90464-16115	G-3		
90464-18116	B-9		
90464-23041	B-9		
90464-26114	B-10		
90465-06038	C-8		
90465-08076	B-13		
90465-13169	G-5		
90465-14310	G-6		
90467-07138	C-3		
90467-08003	B-9		
90467-08021	C-3		
90467-09006	E-2		
90467-10008	B-14		
90467-10038	E-2		
90467-11028	D-6		
90467-11139	B-9		
90467-13062	F-3		
90467-13114	C-3		
90467-14015	C-5		
90467-14057	F-3		
90467-15054	C-5		
90467-15141	B-9		
90467-28142	B-9		
90467-33143	B-9		
90468-20100	D-12		
90480-01510	D-8		
90480-01559	F-9		
90480-10289	F-7		
90480-10570	E-2		
90480-12325	F-5		
90480-13203	D-2		
90480-13398	F-4		
	F-9		
	F-4		
	B-9		
	G-2		
	B-15		
	F-15		
	G-8		
	G-12		
	B-9		

NUMERICAL INDEX

PART NO.	GRID NO.	PART NO.	GRID NO.
92990-03100	D-2		
92990-06600	C-9		
92990-08200	C-13		
	E-15		
92995-06100	C-10		
93101-12060	D-6		
93101-16131	E-14		
93102-12321	E-15		
93102-35423	E-14		
93104-15101	F-2		
93106-30029	D-6		
93106-35030	D-6		
93109-08061	C-13		
93109-12053	C-14		
93109-17048	C-14		
93210-06632	E-6		
	C-10		
93210-06632	D-15		
93210-06714	B-14		
93210-07135	C-2		
	E-15		
93210-09418	D-2		
93210-14369	C-15		
93210-14579	B-14		
93210-15566	B-11		
93210-18397	D-4		
93210-18417	D-2		
93210-19216	E-9		
93210-20027	D-14		
93210-20573	D-6		
93210-23787	D-14		
93210-27778	E-7		
	F-3		
93210-29196	D-12		
93210-30694	C-7		
93210-33133	D-12		
93210-48264	D-3		
93210-59748	E-12		
93210-77363	D-3		
93210-87723	F-14		
93305-30501	C-2		
93306-00106	F-14		
93306-20335	E-15		
93306-20455	F-10		
	G-3		
93306-20541	F-10		
93306-30437	E-11		
93306-30525	C-4		

NUMERICAL INDEX

NUMERICAL INDEX

PART NO.	GRID NO.	PART NO.	GRID NO.	PART NO.	GRID NO.	PART NO.	GRID NO.	PART NO.	GRID NO.	PART NO.	GRID NO.
93306-30562	E - 6	95023-06030	B -13	95701-06500	E - 3	97706-40616	G - 8	99510-08012	C - 8		
93307-20602	D -12		C - 8	95701-10500	C - 4		G -12		C -10		
93310-340N8	C -10	95023-06040	B - 8	95706-06500	E -13	97706-50010	D - 6	99510-08016	B - 2		
93317-31701	D -13		C - 7	95706-08500	F -15	97706-50012	F - 7		B -13		
93317-41761	D -10	95023-08020	C - 4		G - 8		F - 8	99510-12016	C - 6		
93317-42060	D -10	95026-06010	B -13		G -12	97706-50508	D - 6	99510-14016	B - 3		
93317-52865	D -10	95026-06012	B -11	95811-06010	D -12		D - 7	99530-10014	B - 2		
93340-21505	C -10		B -13	95811-06012	E -12	97780-50125	B -14		C - 5		
93399-99901	D -12		G - 2	95811-06016	B -12	98501-05012	C - 2				
93399-99919	D -10	95026-06016	C - 9		C -13	98501-05018	F -10				
93399-99937	E - 9		F - 3	95811-06025	F -12	98502-06016	G - 3				
93420-62070	D -12		G - 3	95811-06035	C - 5	98506-04012	E -11				
93440-10153	B - 2	95026-06025	E -11	95811-06060	E -11	98506-05030	E - 9				
93440-25084	C -11		E -13	95811-06080	C - 5	98506-05035	E - 9				
93440-28062	C -11	95026-06030	B -11		E - 2	98506-05040	E - 9				
93440-45144	C -12		C -10	95811-06140	C - 5	98511-06012	D - 2				
93450-19095	B - 4	95026-06090	C -10	95811-08016	D - 2	98580-03010	F -14				
93501-04011	E -15	95301-16900	D -14		D - 4	98580-04008	C - 2				
93511-32027	C -10	95301-18900	D -14	95811-08035	C - 4	98580-04010	F -14				
93604-10011	B - 2	95303-08700	F - 3	95811-08045	C - 5	98580-05008	G - 3				
	B - 8	95303-08800	D - 2		E - 2	98580-05010	E - 2				
93615-12088	C - 9	95333-08600	E - 6	95811-08055	C - 5	98580-05012	E -15				
93900-00001	E - 4	95380-05600	D - 7	95811-08060	C - 5	98580-06010	C - 7				
93900-00030	E - 6	95380-06600	E -11	95811-08065	C - 5	98580-06020	C - 7				
94113-175Y7	E - 4		G - 2	95811-08090	C - 5	98701-05012	C -13				
94117-175Y8	E - 6	95380-06700	C -14	95811-10025	C -15	98702-05010	C - 2				
94571-31118	E - 6	95601-06100	E -15	95811-10030	E - 8	98706-04012	E -11				
94581-01108	B - 7	95601-10200	C -15	95811-10035	D - 2		E -13				
94581-57118	E - 6		D - 2	95816-06012	D - 3	98706-04016	E -13				
94681-01021	B - 7		D -10	95816-06014	C - 9	98901-06008	B -13				
94701-00241	B - 2		D -11	95816-06025	D - 5	98903-06012	D - 9				
94701-00242	B - 2		E - 6	95816-08012	G - 3	98906-05012	D - 7				
95021-06008	G - 5	95611-08625	B - 2	95816-08025	F -15		F - 5				
95021-06050	B - 8	95611-08630	D -12		G - 8	98906-05014	F - 5				
	C - 7	95611-10100	D -13		G -12	98906-06008	E - 9				
95023-06010	B - 8		D -15	95816-08065	F -10	98906-06012	D - 8				
95023-06012	B - 2	95611-10200	D -12	95821-08025	C - 4		D - 9				
	B - 3	95611-12200	D -14	95826-06010	F - 5	98980-06010	D - 9				
	B - 8	95611-16100	D -15		F - 7	99006-10600	C -14				
	C - 6	95616-06100	E -11	95826-06020	B - 9	99009-10400	B -13				
	F -11		G - 2		C -14	99009-12400	B - 8				
95023-06020	B - 8	95616-08100	D -12		D - 5	99236-00080	D - 8				
	C - 8	95622-06312	D - 2	97011-06016	D - 4	99236-00100	F - 6				
95023-06025	B - 2	95701-05500	E - 3	97021-08035	D - 2	99237-00080	D - 8				
	B - 7		F -10	97026-08035	C -15	99237-00100	F - 6				
	B - 8		F -13	97702-30512	F -14	99510-08012	B -11				
	B - 9		G -10	97702-40125	F -13		C - 2				
95023-06030	B - 8	95701-06500	D - 2	97706-40616	F -15		C - 7				